



查询LC04-6供应商

SEMTECH

捷多邦, 专业PCB打样工厂, 24小时加急出货

LC04-6

Dual Low Capacitance TVS Array for Telecom Linecard Applications

PROTECTION PRODUCTS

Description

The LC04-6 has been specifically designed to protect sensitive components which are connected to high-speed telecommunications lines from over voltages caused by **lightning**, **ESD** (electrostatic discharge), and **EFT** (electrical fast transients).

The device is in a JEDEC SO-16 NB package. It is designed to provide metallic surge protection for two tip & ring line pairs. The low capacitance topology means signal integrity is preserved on high-speed lines. The high surge capability (1000W, $t_p=10/1000\mu s$) makes the LC04-6 suitable for telecommunications systems operating in harsh transient environments.

The LC04-6 is designed to meet the lightning surge requirements of Bellcore GR-1089 (Intra-building), FCC Part 68, ITU K.20, and IEC 61000-4-5. The features of the LC04-6 are ideal for protecting T1/E1 transceivers in WAN applications.

Features

- ◆ Transient protection for high-speed data lines to **Bellcore GR-1089 $I_{pp}=70A$ (10/1000 μs)**
Bellcore GR 1089 $I_{pp}=100A$ (2/10 μs)
ITU K.20 $I_{pp}=100A$ (5/310 μs)
IEC 61000-4-2 (ESD) 15kV (air), 8kV (contact)
IEC 61000-4-5 (Lightning) $I_{pp}=100A$ (8/20 μs)
- ◆ Protects two tip and ring line pairs
- ◆ Low capacitance for high-speed interfaces
- ◆ High surge capability
- ◆ Low clamping voltage
- ◆ Solid-state silicon avalanche technology

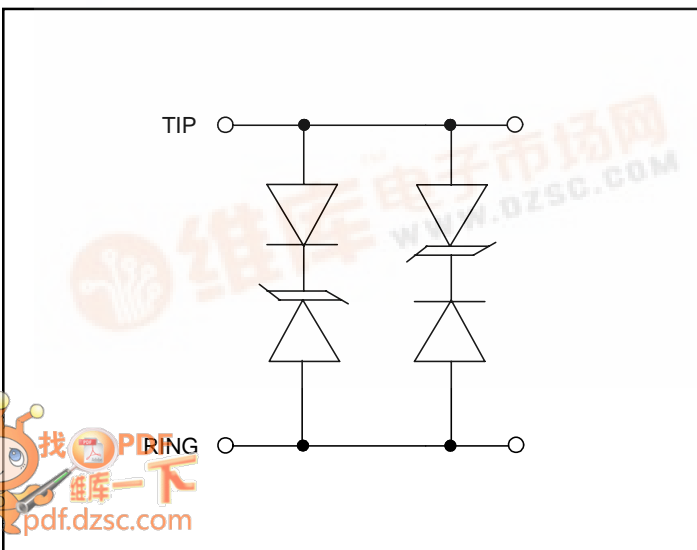
Mechanical Characteristics

- ◆ JEDEC SO-16 package
- ◆ Molding compound flammability rating: UL 94V-0
- ◆ Marking : Part number, date code, logo
- ◆ Packaging : Tube or Tape and Reel per EIA 481

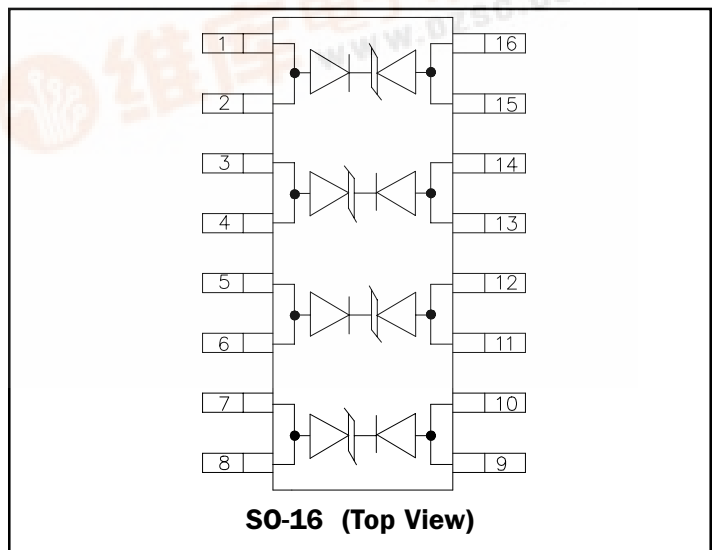
Applications

- ◆ T1/E1 Line Cards
- ◆ Base Stations
- ◆ WAN Equipment
- ◆ CSU/DSU
- ◆ Multiplexers
- ◆ Routers
- ◆ ISP Equipment
- ◆ Customer Premise Equipment

Circuit Diagram



Schematic & PIN Configuration



PROTECTION PRODUCTS
Absolute Maximum Rating

Rating	Symbol	Value	Units
Peak Pulse Power (tp = 10/1000μs)	P_{pk}	1000	Watts
Peak Pulse Current (tp = 10/1000 μs)	I_{pp}	70	A
Peak Pulse Current (tp = 8/20μs)	I_{pp}	200	A
Peak Pulse Current (tp = 10/560μs)	I_{pp}	100	A
Lead Soldering Temperature	T_L	260 (10 sec.)	°C
Operating Temperature	T_J	-55 to +125	°C
Storage Temperature	T_{STG}	-55 to +150	°C

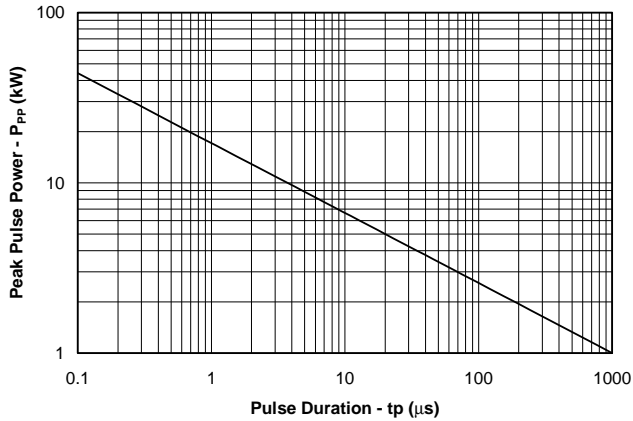
Electrical Characteristics

LC04-6						
Parameter	Symbol	Conditions	Minimum	Typical	Maximum	Units
Reverse Stand-Off Voltage	V_{RWM}				6	V
Reverse Breakdown Voltage	V_{BR}	$I_t = 1mA$	6.8			V
Reverse Leakage Current	I_R	$V_{RWM} = 6V, T=25^\circ C$			15	μA
		$V_{RWM} = 3V, T=25^\circ C$			2	μA
Clamping Voltage	V_C	$I_{pp} = 10A,$ $tp = 10/1000\mu s$			12.5	V
Clamping Voltage	V_C	$I_{pp} = 70A,$ $tp = 10/1000\mu s$			15	V
Clamping Voltage	V_C	$I_{pp} = 100A,$ $tp = 8/20\mu s$			20	V
Junction Capacitance	C_J	Each Line $V_R = 0V, f = 1MHz$			15	pF

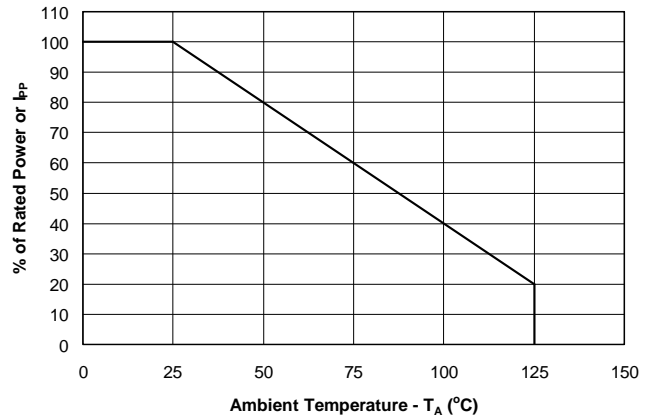
PROTECTION PRODUCTS

Typical Characteristics

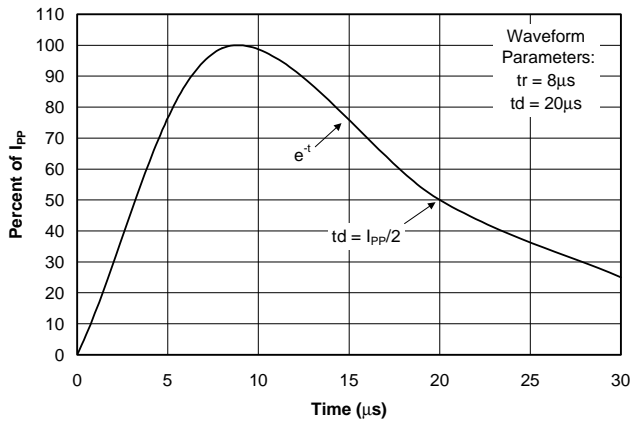
Non-Repetitive Peak Pulse Power vs. Pulse Time



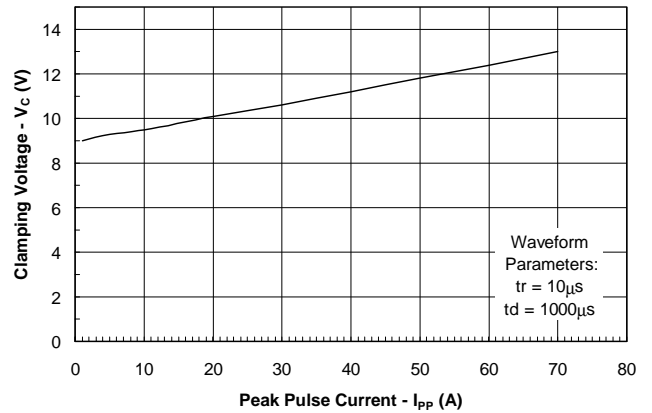
Power Derating Curve



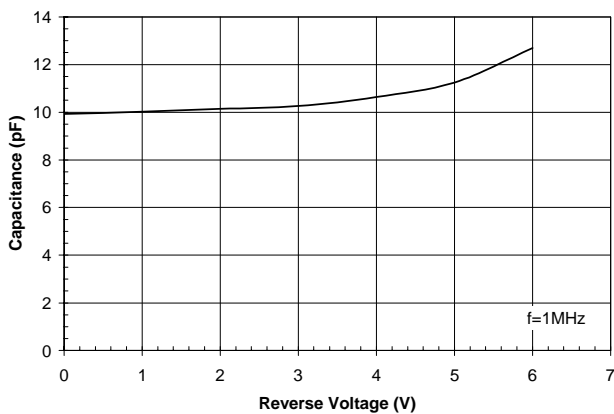
Pulse Waveform



Clamping Voltage vs. Peak Pulse Current



Capacitance vs. Reverse Voltage (Each Line)



PROTECTION PRODUCTS

Applications Information

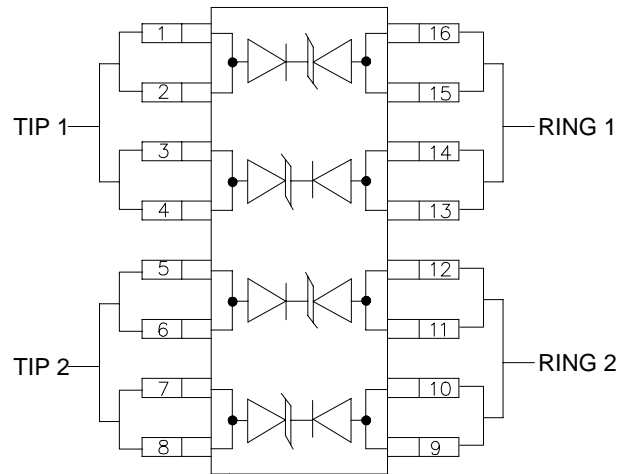
Device Connection Options for Protection of Two High-Speed Line Pairs

The LC04-6 is designed to protect four high-speed data lines (two differential pairs) from transient over-voltages which result from lightning and ESD. Protection of two line pairs is achieved by connecting the device as follows: Pins 1-4 are connected to line 1 of the first pair (i.e. Tip 1) and pins 13-16 are connected to line 2 of the first pair (i.e. Ring 1). Pins 5-8 are connected to line 1 of the second pair (i.e. Tip 2) and pins 9-12 are connected to line two of the second pair (i.e. Ring 2). All pins should be connected for best results. Minimize parasitic inductance in the protection circuit path by keeping the trace length between the protected line and the LC04-6 as short as possible.

T1/E1 Linecard Protection

A typical T1/E1 linecard protection circuit is shown in Figure 2. The LC04-6 is connected between Tip & Ring on the transmit and receive line pairs. It provides protection to metallic (line-to-line) lightning and ESD surges. It is designed to meet the intra-building requirements of Bellcore GR-1089. This design takes advantage of the isolation of the transformer to suppress common mode surges. The LC04-6 may also be configured to meet metallic surges of FCC Part68 when used in conjunction with a 5Ω (minimum) PTC or line feed resistor (LFR). The PTC (or LFR + fuse) are required to meet the AC power cross requirements, but will also reduce the effective surge current to levels within the capability of the LC04-6 (Table 1). To complete the protection circuit, the SRDA05-4 (or SRDA3.3-4 for 3.3V supplies) is employed as the IC side protection element. This device helps prevent the transceiver from latching up by providing fine clamping of transients that are coupled through the transformer. The versatility of the LC04-6 makes it ideal for use with combination long haul/short haul T1/E1 transceivers.

Figure 1 - Connection for Differential (Line-to-Line) Protection of two Tip/Ring Line Pairs



PROTECTION PRODUCTS

Typical Applications

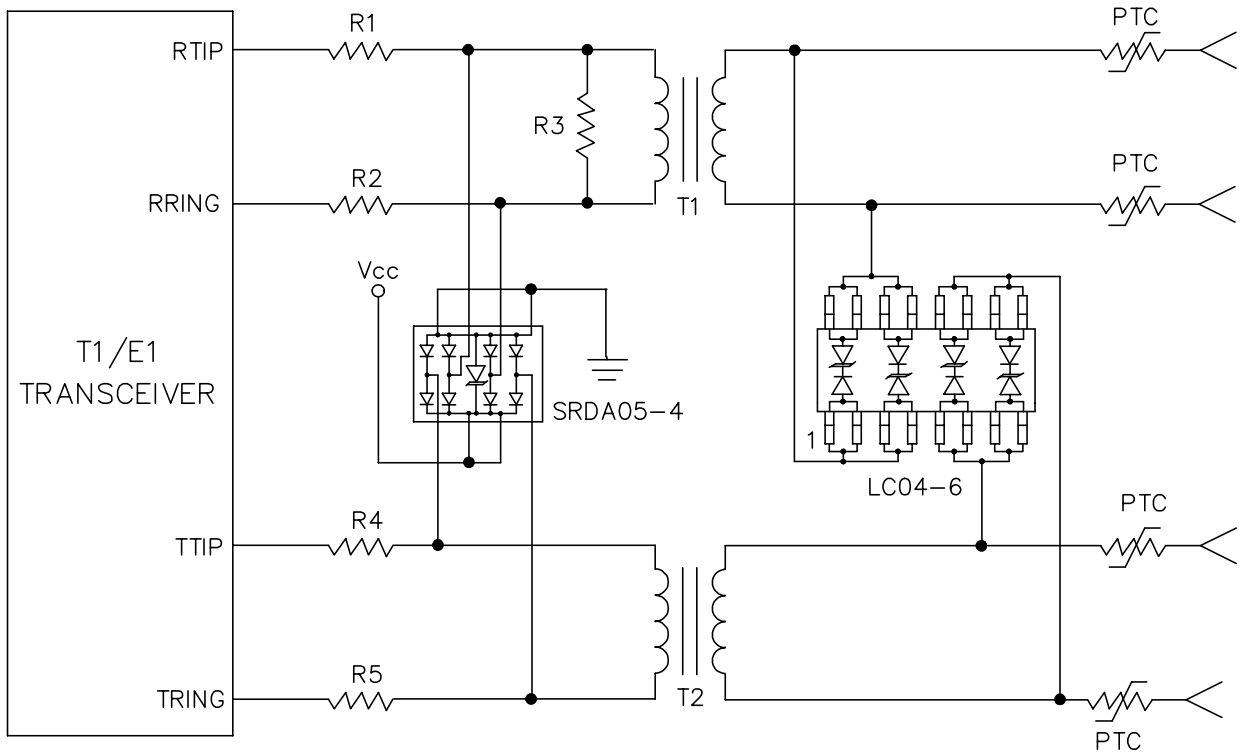


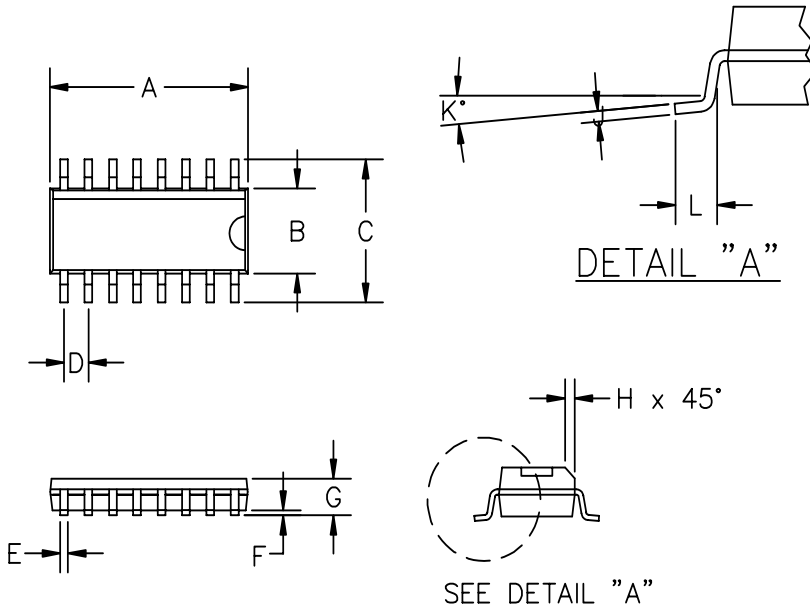
Figure 2 - T1 Line Card protection

Immunity Standard	Peak Open Circuit Surge Voltage (V)	Current Waveform (μs)	Peak Short Circuit Surge Current (A)	Surge Generator Source Resistance (W)	Total Source Resistance (with 5W PTC or LFC) (W)	Effective Short Circuit Current (A)
Bellcore GR-1089 Intra-Building	800	2/10	100	8	13	61.5
FCC Part 68	1500	10/160	200	7.5	12.5	120

Table 1

PROTECTION PRODUCTS

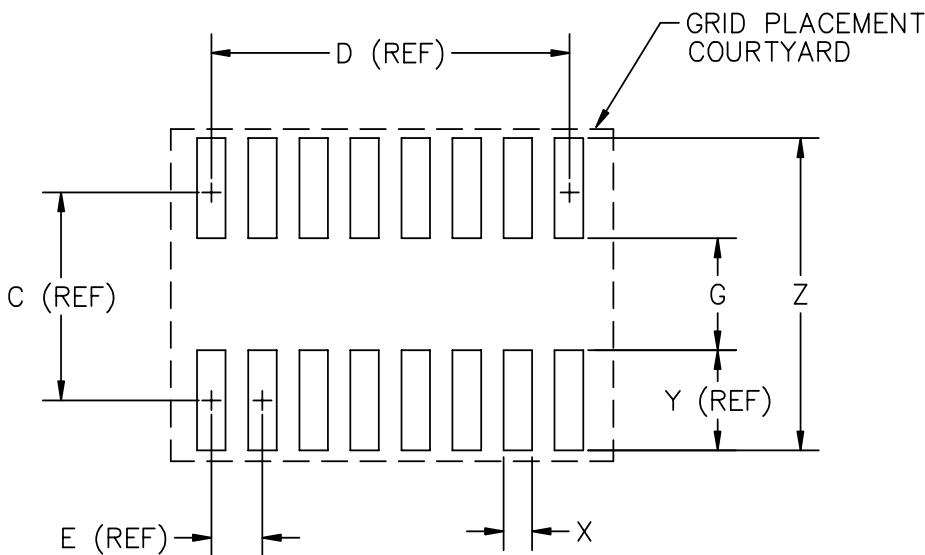
Outline Drawing - SO-16



DIM ^N	INCHES		MM		NOTE
	MIN	MAX	MIN	MAX	
A	.386	.393	9.80	10.0	②
B	.150	.158	3.80	4.00	②
C	.228	.244	5.80	6.20	—
D	.050	BSC	1.27	BSC	—
E	.013	.020	0.33	0.51	—
F	.004	.010	.10	.25	—
G	.053	.069	1.35	1.75	—
H	.010	.020	.25	.50	—
J	.007	.010	.19	.25	—
K	0°	8°	0°	8°	—
L	.016	.050	.40	1.27	—

② DIMENSIONS A AND B DO NOT INCLUDE MOLD PROTUSIONS

Land Pattern - SO-16



DIM ^N	INCHES		MM		NOTE
	MIN	MAX	MIN	MAX	
C	—	.197	—	5.00	—
D	—	.35	—	8.89	—
E	—	.05	—	1.27	—
G	.102	.110	2.60	2.80	—
X	.02	.03	.60	.80	—
Y	—	.095	—	2.40	—
Z	.28	.29	7.20	7.40	—

① GRID PLACEMENT COURTYARD IS 22 X 16 ELEMENTS (11mm X 8mm) IN ACCORDANCE WITH THE INTERNATIONAL GRID DETAILED IN IEC PUBLICATION 97.



LC04-06

PROTECTION PRODUCTS

Ordering Information

Part Number	Working Voltage	Qty per Reel	Reel Size
LC04-6.TB	6V	500	7 Inch
LC04-6.TE	6V	2500	13 Inch

Note:

(1) No suffix indicates tube pack.

Contact Information

Semtech Corporation
Protection Products Division
652 Mitchell Rd., Newbury Park, CA 91320
Phone: (805)498-2111 FAX (805)498-3804