

Ordering number : EN4797A

CMOS LSI



**LC72322**

**Single-Chip Microcontroller with PLL and LCD Driver**

**Overview**

The LC72322 is a single-chip microcontroller for use in electronic tuning applications. It includes on chip both LCD drivers and a PLL circuit that can operate at up to 150 MHz. It features a large-capacity ROM, a highly efficient instruction set, and powerful hardware.

**Functions**

- Stack: Eight levels
- Fast programmable divider
- General-purpose counters: HCTR for frequency measurement and LCTR for frequency or period measurement
- LCD driver for displays with up to 56 segments (1/2 duty, 1/2 bias)
- Program memory (ROM): 4 k words by 16 bits
- Data memory (RAM): 256 4-bit digits
- All instructions are single-word instructions
- Cycle time: 2.67  $\mu$ s, 13.33  $\mu$ s, or 40.00  $\mu$ s (option)
- Unlock FF: 0.55  $\mu$ s detection, 1.1  $\mu$ s detection
- Timer FF: 1 ms, 5ms, 25ms, 125ms
- Input ports\*: One dedicated key input port and one high-breakdown voltage port
- Output ports\*: Two dedicated key output ports, one high-breakdown voltage open-drain port  
Two CMOS output ports (of which one can be switched to be used as LCD driver outputs)  
Seven CMOS output ports (mask option switchable to use as LCD ports)
- I/O ports\*: One switchable between input and output in four-bit units and one switchable between input and output in one-bit units

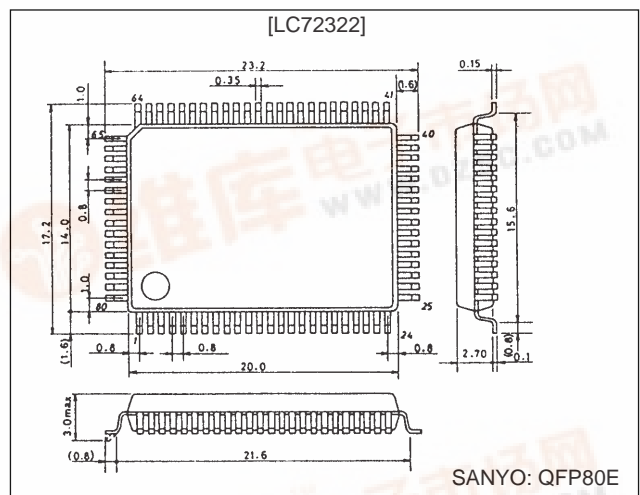
Note: \* Each port consists of four bits.

- Program runaway can be detected and a special address set (Programmable watchdog timer).
- Voltage detection type reset circuit
- One 6-bit A/D converter
- Two 8-bit D/A converters (PWM)
- One external interrupt
- Hold mode for RAM backup
- Sense FF for hot/cold startup determination
- PLL: 4.5 to 5.5 V
- CPU: 3.5 to 5.5 V
- RAM: 1.3 to 5.5 V

**Package Dimensions**

unit: mm

**3174-QFP80E**



This LSI can easily use CCB that is SANYO's original bus format.

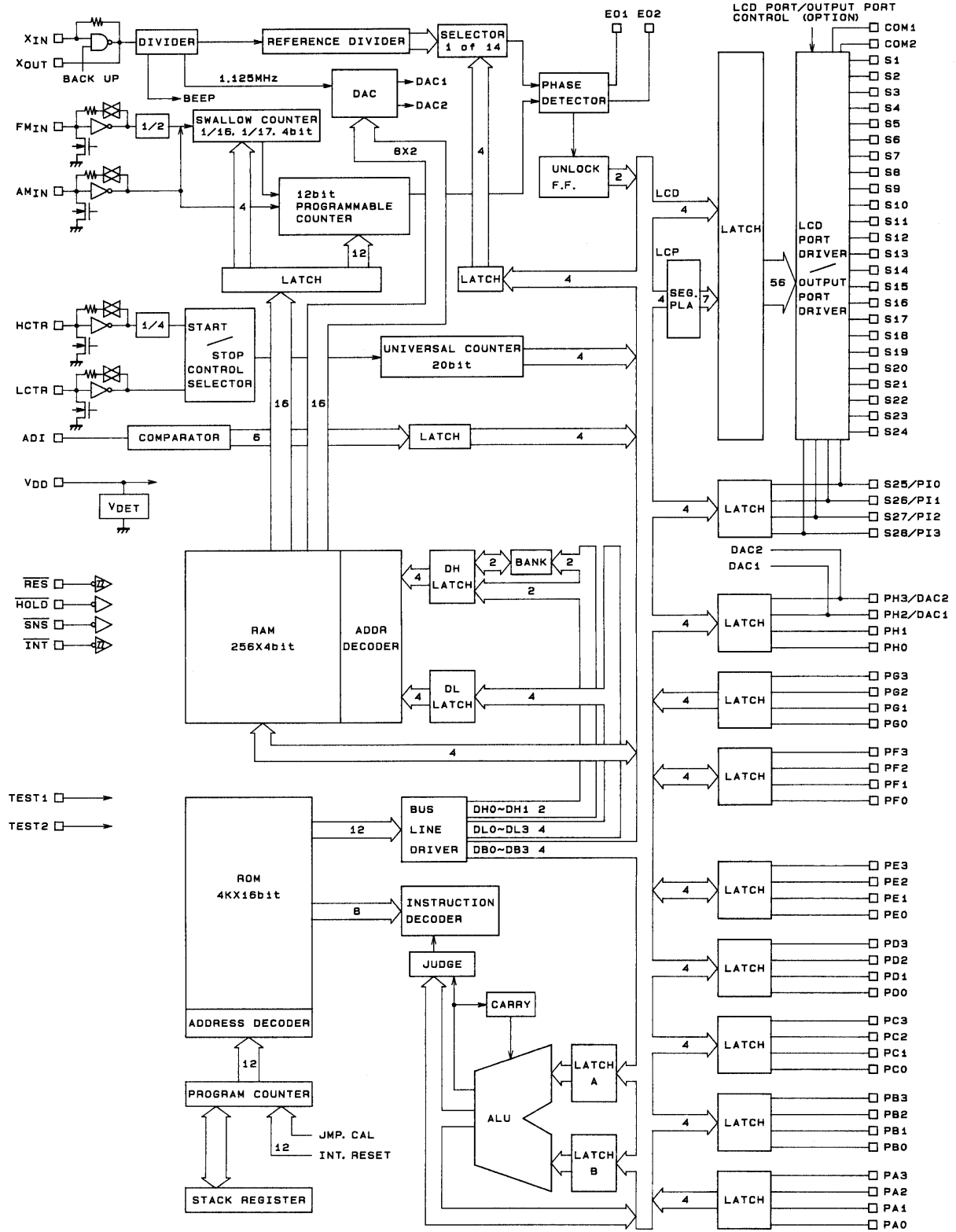


- CCB is a trademark of SANYO ELECTRIC CO., LTD.
- CCB is SANYO's original bus format and all the bus addresses are controlled by SANYO.



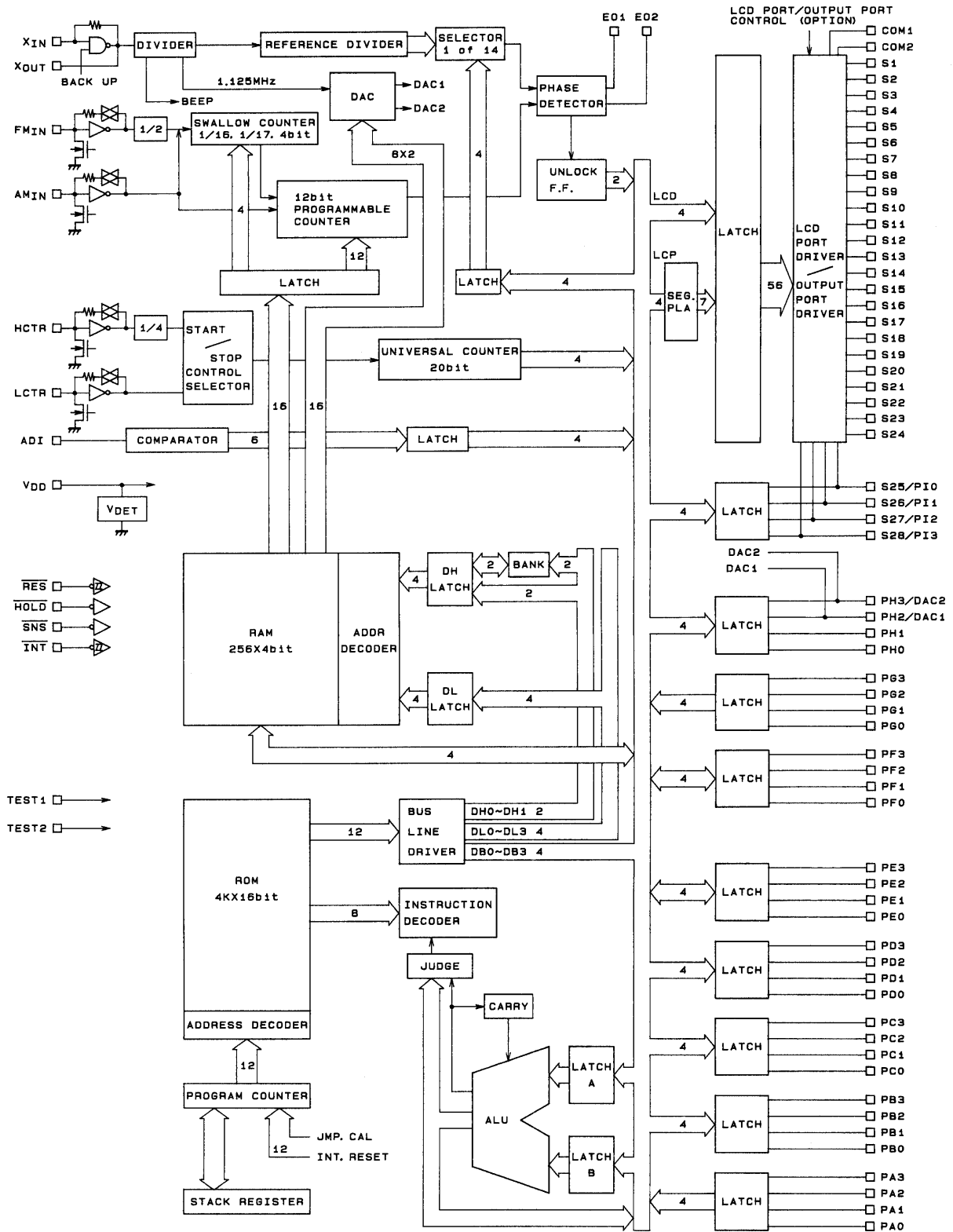
# LC72322

## Pin Assignment



# LC72322

## Block Diagram



## LC72322

### Specifications

**Absolute Maximum Ratings at  $T_a = 25^\circ\text{C}$ ,  $V_{SS} = 0\text{ V}$**

Parameter	Symbol	Conditions	Ratings	Unit
Maximum supply voltage	$V_{DD\text{ max}}$		-0.3 to +6.5	V
Input voltage	$V_{IN1}$	HOLD, INT, RES, ADI, SNS, and the G port	-0.3 to +13	V
	$V_{IN2}$	Inputs other than $V_{IN1}$	-0.3 to $V_{DD} + 0.3$	V
Output voltage	$V_{OUT1}$	H port	-0.3 to +15	V
	$V_{OUT2}$	Outputs other than $V_{OUT1}$	-0.3 to $V_{DD} + 0.3$	V
Output current	$I_{OUT1}$	All D and H port pins	0 to 5	mA
	$I_{OUT2}$	All E and F port pins	0 to 3	mA
	$I_{OUT3}$	All B and C port pins	0 to 1	mA
	$I_{OUT4}$	S1 to S28 and all I port pins	0 to 1	mA
Allowable power dissipation	$Pd\text{ max}$	$T_a = -40\text{ to }+85^\circ\text{C}$	300	mW
Operating temperature	$T_{opr}$		-40 to +85	$^\circ\text{C}$
Storage temperature	$T_{stg}$		-45 to +125	$^\circ\text{C}$

**Allowable Operating Ranges at  $T_a = -40\text{ to }+85^\circ\text{C}$ ,  $V_{DD} = 3.5\text{ to }5.5\text{ V}$**

Parameter	Symbol	Conditions	Ratings			Unit
			min	typ	max	
Supply voltage	$V_{DD1}$	CPU and PLL operating	4.5		5.5	V
	$V_{DD2}$	CPU operating	3.5		5.5	V
	$V_{DD3}$	Memory retention voltage	1.3		5.5	V
Input high level voltage	$V_{IH1}$	G port	$0.7 V_{DD}$		8.0	V
	$V_{IH2}$	RES, INT, HOLD	$0.8 V_{DD}$		8.0	V
	$V_{IH3}$	SNS	2.5		8.0	V
	$V_{IH4}$	A port	$0.6 V_{DD}$		$V_{DD}$	V
	$V_{IH5}$	E, F port	$0.7 V_{DD}$		$V_{DD}$	V
	$V_{IH6}$	LCTR (period measurement), $V_{DD1}$ , PE1, PE3	$0.8 V_{DD}$		$V_{DD}$	V
Input low level voltage	$V_{IL1}$	G port	0		$0.3 V_{DD}$	V
	$V_{IL2}$	RES, INT, PE1, PE3	0		$0.2 V_{DD}$	V
	$V_{IL3}$	SNS	0		1.3	V
	$V_{IL4}$	A port	0		$0.2 V_{DD}$	V
	$V_{IL5}$	PE0, PE2, F port	0		$0.3 V_{DD}$	V
	$V_{IL6}$	LCTR (period measurement), $V_{DD1}$	0		$0.2 V_{DD}$	V
	$V_{IL7}$	HOLD	0		$0.4 V_{DD}$	V
Input frequency	$f_{IN1}$	XIN	4.0	4.5	5.0	MHz
	$f_{IN2}$	FMIN, $V_{IN2}$ , $V_{DD1}$	10		130	MHz
	$f_{IN3}$	FMIN, $V_{IN3}$ , $V_{DD1}$	10		150	MHz
	$f_{IN4}$	AMIN (L), $V_{IN4}$ , $V_{DD1}$	0.5		10	MHz
	$f_{IN5}$	AMIN (H), $V_{IN5}$ , $V_{DD1}$	2.0		40	MHz
	$f_{IN6}$	HCTR, $V_{IN6}$ , $V_{DD1}$	0.4		12	MHz
	$f_{IN7}$	LCTR (frequency), $V_{IN7}$ , $V_{DD1}$	100		500	kHz
	$f_{IN8}$	LCTR (frequency), $V_{IH6}$ , $V_{IL6}$ , $V_{DD1}$	1		$20 \times 10^3$	Hz
Input amplitude	$V_{IN1}$	XIN	0.50		1.5	Vrms
	$V_{IN2}$	FMIN	0.10		1.5	Vrms
	$V_{IN3}$	FMIN	0.15		1.5	Vrms
	$V_{IN4, 5}$	AMIN	0.10		1.5	Vrms
	$V_{IN6, 7}$	LCTR, HCTR	0.10		1.5	Vrms
Input voltage range	$V_{IN8}$	ADI	0		$V_{DD}$	V

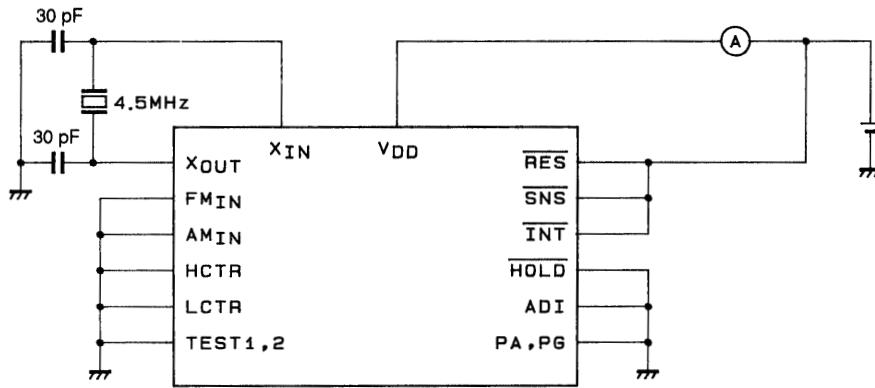
## LC72322

### Electrical Characteristics for the Allowable Operating Ranges

Parameter	Symbol	Conditions	Ratings			Unit
			min	typ	max	
Hysteresis	$V_H$	LCTR (period), RES, INT, PE1, PE3	0.1 $V_{DD}$			V
Rejected pulse width	$P_{REJ}$	$\overline{SNS}$			50	$\mu s$
Power-down detection voltage	$V_{DET}$		2.7	3.0	3.3	V
Input high level current	$I_{IH1}$	INT, HOLD, RES, ADI, SNS, and the G port: $V_I = 5.5 V$			3.0	$\mu A$
	$I_{IH2}$	A, E, and F ports: E and F ports with outputs off, A port with no $R_{PD}$ , $V_I = V_{DD}$			3.0	$\mu A$
	$I_{IH3}$	XIN: $V_I = V_{DD} = 5.0 V$	2.0	5.0	15	$\mu A$
	$I_{IH4}$	FMIN, AMIN, HCTR, LCTR: $V_I = V_{DD} = 5.0 V$	4.0	10	30	$\mu A$
	$I_{IH5}$	A port: With an $R_{PD}$ , $V_I = V_{DD} = 5.0 V$		50		$\mu A$
Input low level current	$I_{IL1}$	INT, HOLD, RES, ADI, SNS, and the G port: $V_I = V_{SS}$			3.0	$\mu A$
	$I_{IL2}$	A, E, and F ports: E and F ports with outputs off, A port with no $R_{PD}$ , $V_I = V_{SS}$			3.0	$\mu A$
	$I_{IL3}$	XIN: $V_{IN} = V_{SS}$	2.0	5.0	15	$\mu A$
	$I_{IL4}$	FMIN, AMIN, HCTR, LCTR: $V_I = V_{SS}$	4.0	10	30	$\mu A$
Input floating voltage	$V_{IF}$	A port: With an $R_{PD}$			$0.05 V_{DD}$	V
Pull-down resistance	$R_{PD}$	A port: With an $R_{PD}$ , $V_{DD} = 5.0 V$	75	100	200	$k\Omega$
Output high level off leakage current	$I_{OFFH1}$	EO1, EO2: $V_O = V_{DD}$		0.01	10	nA
	$I_{OFFH2}$	B, C, D, E, F, and I ports: $V_O = V_{DD}$			3.0	$\mu A$
	$I_{OFFH3}$	H port: $V_O = 13 V$			5.0	$\mu A$
Output low level off leakage current	$I_{OFFL1}$	EO1, EO2: $V_O = V_{SS}$		0.01	10	nA
	$I_{OFFL2}$	B, C, D, E, F, and I ports: $V_O = V_{SS}$			3.0	$\mu A$
Output high level voltage	$V_{OH1}$	B and C ports: $I_O = 1 mA$	$V_{DD} - 2.0$	$V_{DD} - 1.0$	$V_{DD} - 0.5$	V
	$V_{OH2}$	E and F ports: $I_O = 1 mA$	$V_{DD} - 1.0$			V
	$V_{OH3}$	EO1, EO2: $I_O = 500 \mu A$	$V_{DD} - 1.0$			V
	$V_{OH4}$	XOUT: $I_O = 200 \mu A$	$V_{DD} - 1.0$			V
	$V_{OH5}$	S1 to S28 and the I port: $I_O = -0.1 mA$	$V_{DD} - 1.0$			V
	$V_{OH6}$	D port: $I_O = 5 mA$	$V_{DD} - 1.0$			V
	$V_{OH7}$	COM1, COM2: $I_O = 25 \mu A$	$V_{DD} - 0.75$	$V_{DD} - 0.5$	$V_{DD} - 0.3$	V
Output low level voltage	$V_{OL1}$	B and C ports: $I_O = 50 \mu A$	0.5	1.0	2.0	V
	$V_{OL2}$	E and F ports: $I_O = 1 mA$			1.0	V
	$V_{OL3}$	EO1, EO2: $I_O = 500 \mu A$			1.0	V
	$V_{OL4}$	XOUT: $I_O = 200 \mu A$			1.0	V
	$V_{OL5}$	S1 to S28 and the I port: $I_O = 0.1 mA$			1.0	V
	$V_{OL6}$	D port: $I_O = 5 mA$			1.0	V
	$V_{OL7}$	COM1, COM2: $I_O = 25 \mu A$	0.3	0.5	0.75	V
	$V_{OL8}$	H port: $I_O = 5 mA$ , $V_{DD1}$	(150 $\Omega$ ) 0.75		(400 $\Omega$ ) 2.0	V
Output middle level voltage	$V_M1$	COM1, COM2: $V_{DD} = 5.0 V$ , $I_O = 25 \mu A$	2.0	2.5	3.0	V
A/D conversion error		ADI: $V_{DD1}$	-1/2		1/2	LSB
Current drain	$I_{DD1}$	$V_{DD1}$ , $f_{IN2} = 130 MHz$		15	20	mA
	$I_{DD2}$	$V_{DD1}$ , PLL stopped, CT = 2.67 $\mu s$ (HOLD mode, Figure 1)		1.5		mA
	$I_{DD3}$	$V_{DD1}$ , PLL stopped, CT = 13.33 $\mu s$ (HOLD mode, Figure 1)		1.0		mA
	$I_{DD4}$	$V_{DD1}$ , PLL stopped, CT = 40.00 $\mu s$ (HOLD mode, Figure 1)		0.7		mA
	$I_{DD5}$	$V_{DD} = 5.5 V$ , oscillator stopped, Ta = 25°C (BACK UP mode, Figure 2) $V_{DD} = 2.5 V$ , oscillator stopped, Ta = 25°C (BACK UP mode, Figure 2)			5	$\mu A$
					1	$\mu A$

# LC72322

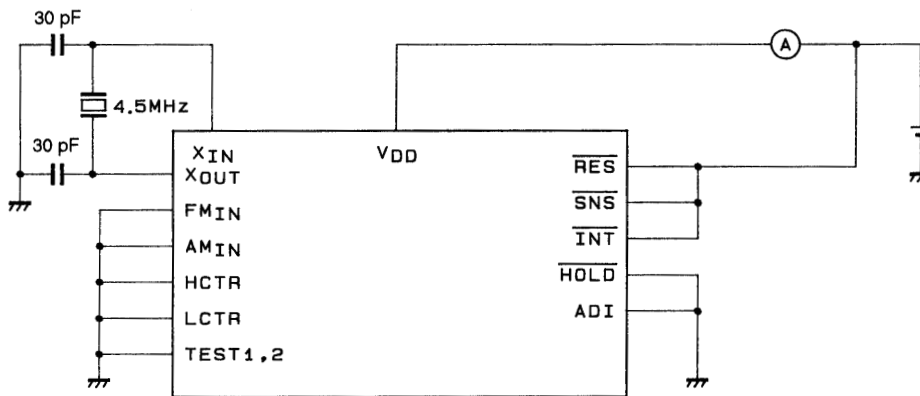
## Test Circuits



A02105

Note: PB to PF, PH, and PI are all open. However, PE and PF are output selected.

Figure 1  $I_{DD2}$  to  $I_{DD4}$  in HOLD Mode



A02106

Note: PA to PI, S1 to S4, COM1, and COM2 are all open.

Figure 2  $I_{DD5}$  in BACK UP Mode

## LC72322

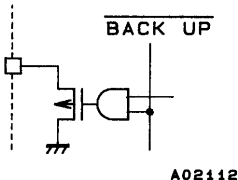
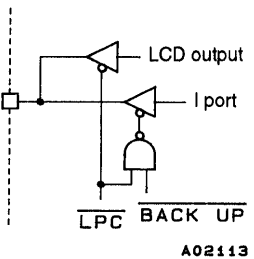
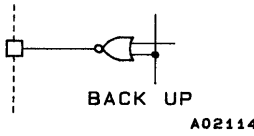
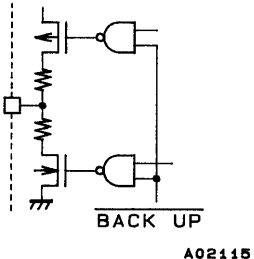
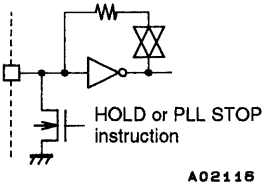
### Pin Functions

Pin	Pin No.	Functions	I/O	I/O circuit type
PA0 PA1 PA2 PA3	35 34 33 32	<p>Low-threshold type dedicated input port</p> <p>These pins can be used, for example, for key data acquisition.</p> <p>Built-in pull-down resistors can be specified as an option. This option is in 4-pin units, and cannot be specified for individual pins.</p> <p>Input through these pins is disabled in BACK UP mode.</p>	Input	<p style="text-align: right;">A02107</p>
PB0 PB1 PB2 PB3 PC0 PC1 PC2 PC3	30 29 28 27 26 25 24 23	<p>Dedicated output ports</p> <p>Since the output transistor impedances are unbalanced CMOS, these pins can be effectively used for functions such as key scan timing. These pins go to the output high-impedance state in BACK UP mode.</p> <p>These pins go to the low level during a reset, i.e., when the RES pin is low.</p>	Output	<p style="text-align: right;">A02108</p>
PD0 PD1 PD2 PD3	22 21 20 19	<p>Dedicated output ports</p> <p>These are normal CMOS outputs. These pins go to the output high-impedance state in BACK UP mode.</p> <p>These pins go to the low level during a reset, i.e., when the RES pin is low.</p>		
PE0 PE1 PE2 PE3	18 17 16 15	<p>I/O port</p> <p>These pins are switched between input and output as follows: Once an input instruction (IN, TPT, or TPF) is executed, these pins latch in the input mode. Once an output instruction (OUT, SPB, or RPB) is executed, they latch in the output mode.</p> <p>These pins go to the input mode during a reset, i.e., when the RES pin is low.</p> <p>In BACK UP mode these pins go to the input mode with input disabled.</p>	I/O	<p>PE1, PE3</p> <p style="text-align: right;">A02109</p> <p>Others</p> <p style="text-align: right;">A02110</p>
PF0 PF1 PF2 PF3	14 13 12 11	<p>I/O port</p> <p>These pins are switched between input and output by the FPC instruction.</p> <p>The I/O states of this port can be specified for individual pins.</p> <p>These pins go to the input mode during a reset, i.e., when the RES pin is low.</p> <p>In BACK UP mode these pins go to the input mode with input disabled.</p>		
PG0 PG1 PG2 PG3	6 5 4 3	<p>Dedicated input port</p> <p>Input through these pins is disabled in BACK UP mode.</p>	Input	<p style="text-align: right;">A02111</p>

Continued on next page.

## LC72322

Continued from preceding page.

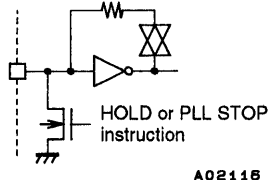
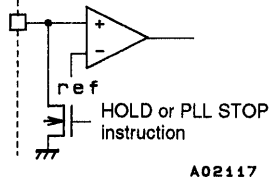
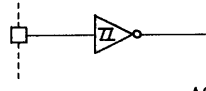
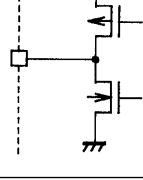
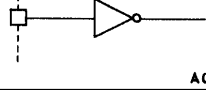
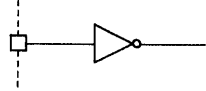
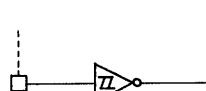
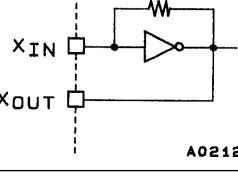
Pin	Pin No.	Functions	I/O	I/O circuit type
PH0 PH1 PH2/DAC1 PH3/DAC2	10 9 8 7	Dedicated output port Since these pins are high-breakdown voltage n-channel transistor open-drain outputs, they can be effectively used for functions such as band power supply switching. Note that PH2 and PH3 also function as the DAC1 and DAC2 outputs. These ports go to the high impedance state during a reset, i.e., when the RES pin is low, and in BACK UP mode.	Output	
PI0/S25 PI1/S26 PI2/S27 PI3/S28	39 38 37 36	Dedicated output port While these pins have a CMOS output circuit structure, they can be switched to function as LCD drivers. Their function is switched by the SS and RS instructions. These pins cannot be switched individually. The LCD driver function is selected and a segment-off signal is output when power is first applied or when RES is low. These pins are held at the low level in BACK UP mode. Note that when the general-purpose port use option is specified, these pins output the contents of IPORT when LPC is 1, and the contents of the general-purpose output port LATCH when LPC is 0.	Output	
S1 to S24	63 to 40	LCD driver segment outputs A frame frequency of 100 Hz and a 1/2 duty, 1/2 bias drive type are used. A segment-off signal is output when power is first applied or when RES is low. These pins are held at the low level in BACK UP mode. The use of these pins as general-purpose output ports can be specified as an option.	Output	
COM1 COM2	65 64	LCD driver common outputs A 1/2 duty, 1/2 bias drive type is used. The output when power is first applied or when RES is low is identical to the normal operating mode output. These pins are held at the low level in BACK UP mode.	Output	
FMIN	74	FM VCO (local oscillator) input The input must be capacitor coupled. The input frequency range is from 10 to 130 MHz.	Input	
AMIN	75	AM VCO (local oscillator) input The band supported by this pin can be selected using the PLL instruction. High (2 to 40 MHz) → SW Low (0.5 to 10 MHz) → LW and MW		

Continued on next page.



## LC72322

Continued from preceding page.

Pin	Pin No.	Functions	I/O	I/O circuit type
HCTR	70	Universal counter input The input should be capacitor coupled. The input frequency range is from 0.4 to 12 MHz. This input can be effectively used for FM IF or AM IF counting.	Input	 <p style="text-align: right;"><b>A02116</b></p>
LCTR	71	Universal counter input The input should be capacitor coupled for input frequencies in the range 100 to 150 kHz. Capacitor coupling is not required for input frequencies from 1 to 20 Hz. This input can be effectively used for AM IF counting. This pin can also be used as a normal input port.		
ADI	69	A/D converter input A 1.28 ms period is required for a 6-bit sequential comparison conversion. The full scale input is $((63/96) \cdot V_{DD})$ for a data value of 3FH.	Input	 <p style="text-align: right;"><b>A02117</b></p>
INT	66	External interrupt request input An interrupt is generated when the INTEN flag is set (by an SS instruction) and a falling edge is input. This pin can also be used as a normal input port.	Input	 <p style="text-align: right;"><b>A02118</b></p>
EO1 EO2	77 78	Reference frequency and programmable divider phase comparison error outputs Charge pump circuits are built in. EO1 and EO2 are the same.	Output	 <p style="text-align: right;"><b>A02119</b></p>
$\overline{\text{SNS}}$	72	Input pin used to determine if a power outage has occurred in BACK UP mode This pin can also be used as a normal input port.	Input	 <p style="text-align: right;"><b>A02120</b></p>
$\overline{\text{HOLD}}$	67	Input pin used to force the LC72322 to HOLD mode The LC72322 goes to HOLD mode when the HOLDEN flag is set (by an SS instruction) and the HOLD input goes low. A high-breakdown voltage circuit is used so that this input can be used in conjunction with the normal power switch.	Input	 <p style="text-align: right;"><b>A02120</b></p>
$\overline{\text{RES}}$	68	System reset input This signal should be held low for 75 ms after power is first applied to effect a power-up reset. The reset starts when a low level has been input for at least six reference clock cycles.	Input	 <p style="text-align: right;"><b>A02118</b></p>
XIN XOUT	1 80	Crystal oscillator connections (4.5 MHz) A feedback resistor is built in.	Input Output	 <p style="text-align: right;"><b>A02121</b></p>
TEST1 TEST2	2 79	LSI test pins. These pins must be connected to $V_{SS}$ .	—	—
$V_{DD}$ $V_{SS}$	31, 73 76	Power supply	—	—

Continued on next page.

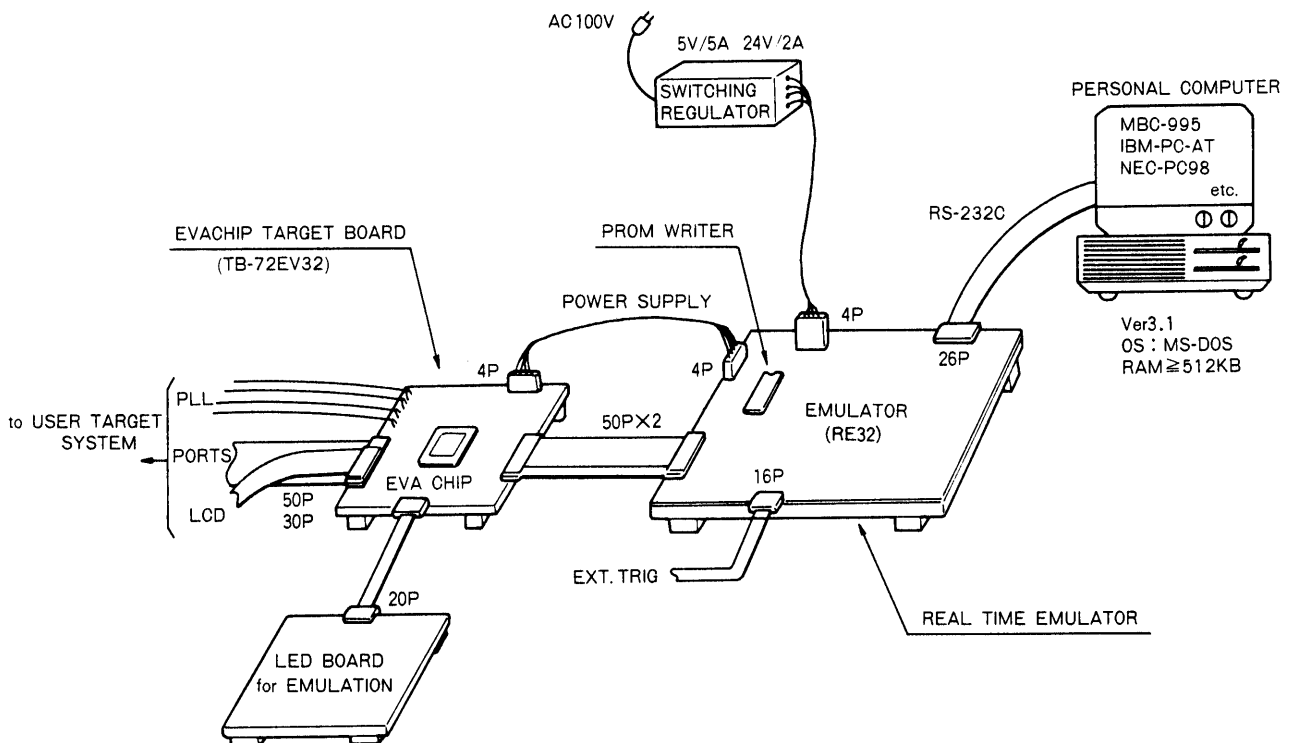
## LC72322

### Mask Options

No.	Description	Selections
1	WDT (watchdog timer) inclusion selection	WDT included
		No WDT
2	Port A pull-down resistor inclusion selection	Pull-down resistors included
		No pull-down resistors
3	Cycle time selection	2.67 $\mu$ s
		13.33 $\mu$ s
		40.00 $\mu$ s
4	LCD port/general-purpose port selection	LCD ports
		General-purpose output ports

### Development Environment

- The LC72P321 is used for OTP.
- The LC72EV321 is used as the evaluation chip.
- A total debugging system is available in which the TB-72EV32 evaluation chip board and the RE32 multi-function emulator are controlled by a personal computer.



## LC72322

### LC72321 Instruction Table

Abbreviations:

ADDR: Program memory address [12 bits]

b: Borrow

B: Bank number [2 bits]

C: Carry

DH: Data memory address high (row address) [2 bits]

DL: Data memory address low (column address) [4 bits]

I: Immediate data [4 bits]

M: Data memory address

N: Bit position [4 bits]

Pn: Port number [4 bits]

r: General register (one of the locations 00 to 0FH in bank 0)

( ): Contents of register or memory

( )N: Contents of bit N of register or memory

Instruction Group	Mnemonic	Operand		Function	Operation	Machine code																	
		1st	2nd			D15 14 13 12				11 10 9 8				7 6 5 4 3 2 1 D0									
Addition instructions	AD	r	M	Add M to r	$r \leftarrow (r) + (M)$	0	1	0	0	0	0			DH				DL					Rn
	ADS	r	M	Add M to r, then skip if carry	$r \leftarrow (r) + (M)$ skip if carry	0	1	0	0	0	1			DH				DL					Rn
	AC	r	M	Add M to r with carry	$r \leftarrow (r) + (M) + C$	0	1	0	0	1	0			DH				DL					Rn
	ACS	r	M	Add M to r with carry, then skip if carry	$r \leftarrow (r) + (M) + C$ skip if carry	0	1	0	1	0	0			DH				DL					Rn
	AI	M	I	Add I to M	$M \leftarrow (M) + I$	0	1	0	1	0	0			DH				DL					I
	AIS	M	I	Add I to M, then skip if carry	$M \leftarrow (M) + I$ skip if carry	0	1	0	1	0	1			DH				DL					I
	AIC	M	I	Add I to M with carry	$M \leftarrow (M) + I + C$	0	1	0	1	1	0			DH				DL					I
	AICS	M	I	Add I to M with carry, then skip if carry	$M \leftarrow (M) + I + C$ skip if carry	0	1	0	1	1	1			DH				DL					I
Subtraction instructions	SU	r	M	Subtract M from r	$r \leftarrow (r) - (M)$	0	1	1	0	0	0			DH				DL					Rn
	SUS	r	M	Subtract M from r, then skip if borrow	$r \leftarrow (r) - (M)$ skip if borrow	0	1	1	0	0	1			DH				DL					Rn
	SB	r	M	Subtract M from r with borrow	$r \leftarrow (r) - (M) - b$	0	1	1	0	1	0			DH				DL					Rn
	SBS	r	M	Subtract M from r with borrow, then skip if borrow	$r \leftarrow (r) - (M) - b$ skip if borrow	0	1	1	0	0	0			DH				DL					Rn
	SI	M	I	Subtract I from M	$M \leftarrow (M) - I$	0	1	1	1	0	0			DH				DL					I
	SIS	M	I	Subtract I from M, then skip if borrow	$M \leftarrow (M) - I$ skip if borrow	0	1	1	1	0	1			DH				DL					I
	SIB	M	I	Subtract I from M with borrow	$M \leftarrow (M) - I - b$	0	1	1	1	1	0			DH				DL					I
	SIBS	M	I	Subtract I from M with borrow, then skip if borrow	$M \leftarrow (M) - I - b$ skip if borrow	0	1	0	1	1	1			DH				DL					I
Comparison instructions	SEQ	r	M	Skip if r equals M	$r - M$ skip if zero	0	0	0	0	0	1			DH				DL					Rn
	SGE	r	M	Skip if r is greater than or equal to M	$r - M$ skip if not borrow ( $r \geq M$ )	0	0	0	0	1	1			DH				DL					Rn
	SEQI	M	I	Skip if M equal to I	$M - I$ skip if zero	0	0	1	1	0	1			DH				DL					I
	SGEI	M	I	Skip if M is greater than or equal to I	$M - I$ skip if not borrow ( $M \geq I$ )	0	0	1	1	1	1			DH				DL					I

Continued on next page.

## LC72322

Continued from preceding page.

Instruction Group	Mnemonic	Operand		Function	Operation	Machine code															
		1st	2nd			D15	14	13	12	11	10	9	8	7	6	5	4	3	2	1	D0
Logical operation instructions	AND	M	I	AND I with M	$M \leftarrow (M) \wedge I$	0	0	1	1	0	0	DH		DL		I					
	OR	M	I	OR I with M	$M \leftarrow (M) \vee I$	0	0	1	1	1	0	DH		DL		I					
	EXL	r	M	Exclusive OR M with r	$r \leftarrow (r) \oplus (M)$	0	0	1	0	0	0	DH		DL		Rn					
Transfer instructions	LD	r	M	Load M to r	$r \leftarrow (M)$	1	0	0	0	0	0	DH		DL		Rn					
	ST	M	r	Store r to M	$M \leftarrow (r)$	1	0	0	0	0	1	DH		DL		Rn					
	MVRD	r	M	Move M to destination M referring to r in the same row	$[DH, Rn] \leftarrow (M)$	1	0	0	0	1	0	DH		DL		Rn					
	MVRS	M	r	Move source M referring to r to M in the same row	$M \leftarrow [DH, Rn]$	1	0	0	0	1	1	DH		DL		Rn					
	MVSR	M1	M2	Move M to M in the same row	$[DH, DL1] \leftarrow [DH, DL2]$	1	0	0	1	0	0	DH		DL1		DL2					
	MVI	M	I	Move I to M	$M \leftarrow I$	1	0	0	1	0	1	DH		DL		I					
	PLL	M	r	Load M to PLL registers	$PLL\ r \leftarrow PLL\ DATA$	1	0	0	1	1	0	DH		DL		Rn					
Bit test instructions	TMT	M	N	Test M bits, then skip if all bits specified are true	if $M(N) = \text{all } 1$ , then skip	1	0	1	0	0	1	DH		DL		N					
	TMF	M	N	Test M bits, then skip if all bits specified are false	if $M(N) = \text{all } 0$ , then skip	1	0	1	0	1	1	DH		DL		N					
Jump and subroutine call instructions	JMP	ADDR		Jump to the address	$PC \leftarrow ADDR$	1	0	1	1	ADDR (12 bits)											
	CAL	ADDR		Call subroutine	$Stack \leftarrow (PC) + 1$	1	1	0	0	ADDR (12 bits)											
	RT			Return from subroutine	$PC \leftarrow Stack$	1	1	0	1	0	1	0	0	0	0	0	0	0	0	0	0
	RTI			Return from interrupt	$PC \leftarrow Stack$	1	1	0	1	0	1	0	1	0	0	0	0	0	0	0	0
F/F test instructions	TTM	N		Test timer F/F then skip if it has not been set	if timer $F/F = 0$ , then skip	1	1	0	1	0	1	1	0	0	0	0	0	N			
	TUL	N		Test unlock F/F then skip if it has not been set	if $UL\ F/F = 0$ , then skip	1	1	0	1	0	1	1	1	0	0	0	0	N			
Status register instructions	SS	N		Set status register	(Status register 1) $N \leftarrow 1$	1	1	0	1	1	1	0	0	0	0	0	0	N			
	RS	N		Reset status register	(Status register 1) $N \leftarrow 0$	1	1	0	1	1	1	0	1	0	0	0	0	N			
	TST	N		Test status register true	if (Status register 2) $N = \text{all } 1$ , then skip	1	1	0	1	1	1	1	0	0	0	0	0	N			
	TSF	N		Test status register false	if (Status register 2) $N = \text{all } 0$ , then skip	1	1	0	1	1	1	1	1	0	0	0	0	N			
Bank switching instructions	BANK	B		Select bank	$BANK \leftarrow B$	1	1	0	1	0	0	B		0	0	0	0	0	0	0	0

Continued on next page.

## LC72322

Continued from preceding page.

Instruction Group	Mnemonic	Operand		Function	Operation	Machine code												
		1st	2nd			D15	14	13	12	11	10	9	8	7	6	5	4	3
I/O instructions	LCD	M	I	Output segment pattern to LCD digit direct	$LCD(DIGIT) \leftarrow M$	1	1	1	0	0	0	DH	DL	DIGIT				
	LCP	M	I	Output segment pattern to LCD digit through PLA	$LCD(DIGIT) \leftarrow PLA \leftarrow M$	1	1	1	0	0	1	DH	DL	DIGIT				
	IN	M	P	Input port data to M	$M \leftarrow (Port(P))$	1	1	1	0	1	0	DH	DL	P				
	OUT	M	P	Output contents of M to port	$(Port(P)) \leftarrow M$	1	1	1	0	1	1	DH	DL	P				
	SPB	P	N	Set port bits	$(Port(P)) N \leftarrow 1$	1	1	1	1	0	0	0	0	P	N			
	RPB	P	N	Reset port bits	$(Port(P)) N \leftarrow 0$	1	1	1	1	0	1	0	1	P	N			
	TPT	P	N	Test port bits, then skip if all bits specified are true	if $(Port(P)) N = \text{all } 1$ , then skip	1	1	1	1	1	0	1	0	P	N			
TPF	P	N	Test port bits, then skip if all bits specified are false	if $(Port(P)) N = \text{all } 0$ , then skip	1	1	1	1	1	1	1	1	P	N				
Universal counter instructions	UCS	I		Set I to UCCW1	$UCCW1 \leftarrow I$	0	0	0	0	0	0	0	1	0	0	0	0	I
	UCC	I		Set I to UCCW2	$UCCW2 \leftarrow I$	0	0	0	0	0	0	1	1	0	0	0	0	I
Other instructions	FPC	N		F port I/O control	$FPC \text{ latch} \leftarrow N$	0	0	0	1	0	0	0	0	0	0	0	0	N
	CKSTP			Clock stop	Stop clock if $\overline{HOLD} = 0$	0	0	0	1	0	0	0	1	0	0	0	0	0
	DAC	I		Load M to D/A registers	$DAreg \leftarrow DAC \text{ DATA}$	0	0	0	0	0	0	1	0	0	0	0	0	I
	NOP			No operation		0	0	0	0	0	0	0	0	0	0	0	0	0

- No products described or contained herein are intended for use in surgical implants, life-support systems, aerospace equipment, nuclear power control systems, vehicles, disaster/crime-prevention equipment and the like, the failure of which may directly or indirectly cause injury, death or property loss.
- Anyone purchasing any products described or contained herein for an above-mentioned use shall:
  - ① Accept full responsibility and indemnify and defend SANYO ELECTRIC CO., LTD., its affiliates, subsidiaries and distributors and all their officers and employees, jointly and severally, against any and all claims and litigation and all damages, cost and expenses associated with such use:
  - ② Not impose any responsibility for any fault or negligence which may be cited in any such claim or litigation on SANYO ELECTRIC CO., LTD., its affiliates, subsidiaries and distributors or any of their officers and employees jointly or severally.
- Information (including circuit diagrams and circuit parameters) herein is for example only; it is not guaranteed for volume production. SANYO believes information herein is accurate and reliable, but no guarantees are made or implied regarding its use or any infringements of intellectual property rights or other rights of third parties.

This catalog provides information as of December, 1997. Specifications and information herein are subject to change without notice.