

CMOS IC



## Overview

The LC73872M is a DTMF signal detection receiver IC for use in telephone answering machines. It includes the filters required for DTMF signal detection on chip.

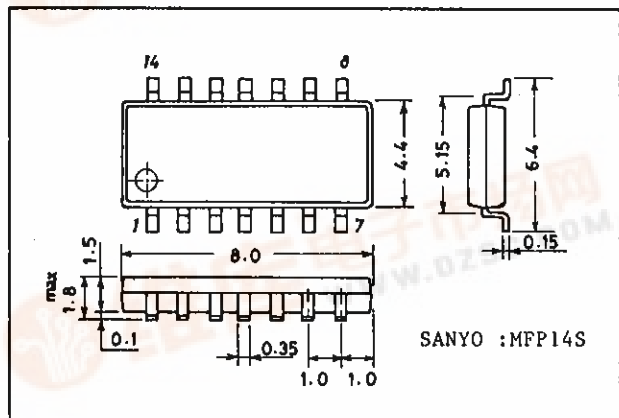
## Features

- Detects all 16 DTMF signals.
- Includes on-chip all filters required in a DTMF receiver.
  - Dial tone filter
  - High-frequency group band-pass filter
  - Low-frequency group band-pass filter
- On-chip AGC circuit provides wide dynamic range.
- Serial data output
- Operating supply voltage range: 4.5 to 5.5 V
- Supports a low power mode that allows current dissipation to be reduced.
- Serial output data can be read out multiple times.
- 3.579545 MHz oscillator
- 14-pin mini-flat package (MFP-14S)

## Package Dimensions

unit: mm

3111-MFP14S



## Specifications

Absolute Maximum Ratings at  $T_a = 25^\circ\text{C}$

Parameter	Symbol	Conditions	Ratings	Unit
Maximum supply voltage	$V_{DD \text{ max}}$		-0.3 to +6.0	V
Maximum input voltage	$V_{IN \text{ max}}$		-0.3 to $V_{DD} + 0.3$	V
Maximum input current	$I_{IN \text{ max}}$		-10 to +10	mA
Maximum output voltage	$V_{OUT \text{ max}}$		-0.3 to $V_{DD} + 0.3$	V
Power dissipation	$P_d \text{ max}$	$T_a \leq 85^\circ\text{C}$	120	mW
Operating temperature	$T_{opr}$		-40 to +85	$^\circ\text{C}$
Storage temperature	$T_{stg}$		-50 to +125	$^\circ\text{C}$

## LC73872M

### Allowable Operating Ranges at $T_a = -40$ to $+85^\circ\text{C}$ , $V_{SS} = 0$ V

Parameter	Symbol	Conditions	Ratings			Unit
			min	typ	max	
Operating supply voltage	$V_{DD}$		4.5		5.5	V
Input high level voltage	$V_{IH}$	Pins ACK and $\overline{\text{LOAD}}$	$0.7 V_{DD}$			V
		Pin PD	$0.85 V_{DD}$			V
Input low level voltage	$V_{IL}$	Pins ACK and $\overline{\text{LOAD}}$			$0.3 V_{DD}$	V
		Pin PD			$0.15 V_{DD}$	V
Oscillator frequency	$f_{OSC}$		3.5759	3.5795	3.5831	MHz

### DC Electrical Characteristics at $T_a = 25 \pm 2^\circ\text{C}$ , $V_{DD} = 5$ V, $V_{SS} = 0$ V

Parameter	Symbol	Conditions	Ratings			Unit
			min	typ	max	
Operating supply current	$I_{DD(OP)}$			3	7	mA
Standby supply current	$I_{DD(ST)}$	Pin PD = 5 V			10	$\mu\text{A}$
High level output current	$I_{OH}$	$V_{OUT} = 4.6$ V; Pins SD, EST, and STD		-0.8	-0.4	mA
Low level output current	$I_{OL}$	$V_{OUT} = 0.4$ V; Pins SD, EST, and STD	1.0	2.5		mA
Input impedance	$Z_{IN}$	Pin INPUT	10			k $\Omega$

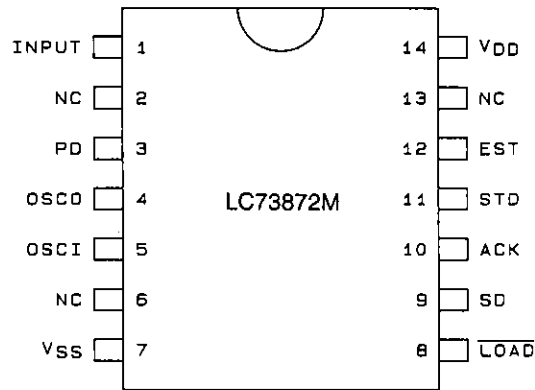
### AC Electrical Characteristics at $T_a = 25^\circ\text{C}$ , $V_{DD} = 5$ V, $V_{SS} = 0$ V, $f_{OSC} = 3.579545$ MHz

Parameter	Symbol	Conditions	Ratings			Unit
			min	typ	max	
Valid input signal level		Conditions: 1, 2, 3, 5, 6, 9	-45		0	dBm
Positive twist accept		Conditions: 2, 3, 6, 9, 11		6		dB
Frequency detection accept		Conditions: 2, 3, 5, 9	$\pm 1.5\%$	$\pm 2$		Hz
Frequency non-detection accept		Conditions: 2, 3, 5	$\pm 3.5$			%
Third tone tolerance		Conditions: 2, 3, 4, 5, 9, 10		-16		dB
Dial tone tolerance		Conditions: 2, 3, 4, 5, 8, 9, 10		22		dB
Noise tolerance		Conditions: 2, 3, 4, 5, 7, 9, 10		-12		dB
Tone present detection time	$t_{DP}$	See the timing charts.	3		20	ms
Tone absent detection time	$t_{DA}$	See the timing charts.	0.5		20	ms
Tone duration accept	$t_{REC}$	See the timing charts.	20			ms
Tone duration reject	$t_{REC}$	See the timing charts.			45	ms
Guard time (present)	$t_{GTP}$	See the timing charts.	32.2		32.3	ms
Guard time (absent)	$t_{GTA}$	See the timing charts.	20.1		20.2	ms
Inter-digit pause accept	$t_{DO}$	See the timing charts.	20			ms
Inter-digit pause reject	$t_{IP}$	See the timing charts.			40	ms
Data shift speed					1	MHz
Data output delay time	$t_{PAD}$	See the timing charts.		100		ns
Setup time delay	$t_{DL}$	See the timing charts.	0			ns
Data hold time	$t_{DH}$	See the timing charts.	30			ns
Load capacitance	$C_{XO}$	Pins OSC1 and OSC0			30	pF

- Notes:
1. The 0 dBm level is defined to be a 1 mW output into a 600  $\Omega$  load.
  2. All 16 DTMF signals frequency
  3. For a 40 ms DTMF signal period and a 40 ms pause period
  4. Nominal DTMF frequency
  5. Low-group and high-group signal levels are the same.
  6. DTMF signal frequency deviations within  $\pm 1.5\%$  and  $\pm 2$  Hz
  7. Bandwidth limited (0 to 3 kHz) Gaussian noise
  8. 350 and 440 Hz dial tone frequencies
  9. Error rate of less than 1 in 10,000
  10. Referenced to the lowest component of the DTMF signal.
  11. Twist = high-frequency group tone level + low-frequency group tone level.

## LC73872M

### Pin Assignment



Top view

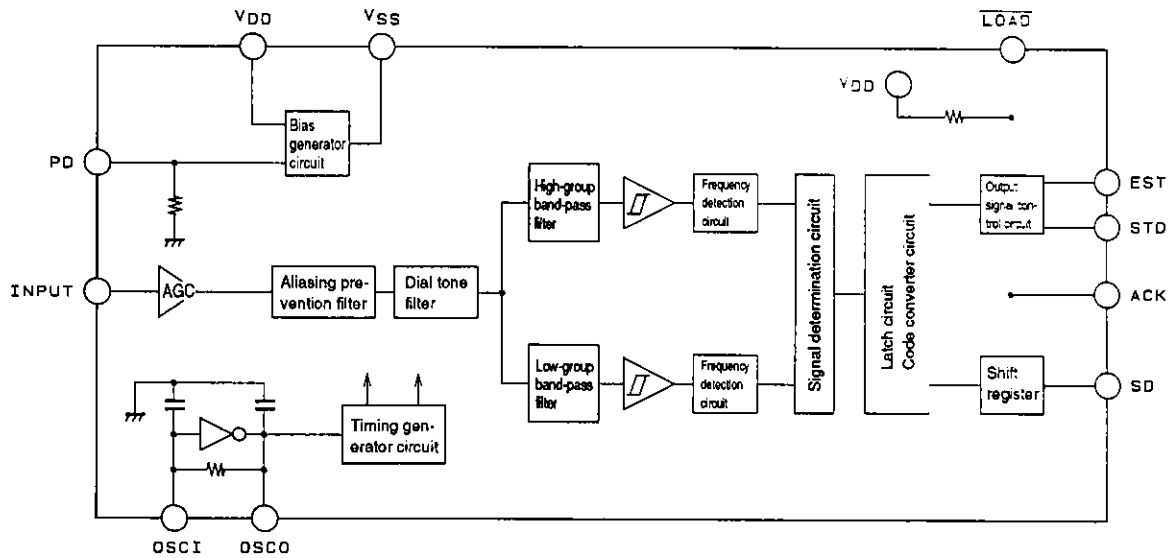
A01051

### Pin Functions

Pin No.	Symbol	I/O	Function
1	INPUT	I	An input coupling capacitor is required. Biased to $V_{DD}/2$ internally.
2	NC		No connection
3	PD	I	The IC goes to low power mode when this pin is pulled high.
4	OSCO	O	Connect a 3.579545 MHz crystal oscillator or ceramic resonator to these pins to form an oscillator circuit. When using a ceramic resonator, a capacitor of approximately 30 pF must be connected to each pin.
5	OSCI	I	
6	NC		No connection
7	$V_{SS}$		Power supply pin: Normally 0 V.
8	LOAD	I	Inputting a clock to this pin allows the serial data to be output two or more times.
9	SD	O	The decoded DTMF signal is output, this pin in a 4-bit LSB first format.
10	ACK	I	The ACK pin is used to shift out data from the SD pin. Four pulses are required to shift out the DTMF character, which consists of 4 bits. The rising edge of the first pulse latches the data (before shifting) into the shift register.
11	STD	O	A high level indicates the presence of a DTMF signal. Due to operation of the on-chip digital guard timer, the EST pin will go high after being held high continuously for about 30 ms. Likewise, it will go low after being held low continuously for about 20 ms.
12	EST	O	A high level indicates the presence of a DTMF signal. Monitor this pin externally, and after an appropriate waiting time has passed, apply 4 pulses to the ACK pin to access the data.
13	NC		No connection
14	$V_{DD}$		Power supply pin: normally 4.5 to 5.5 V

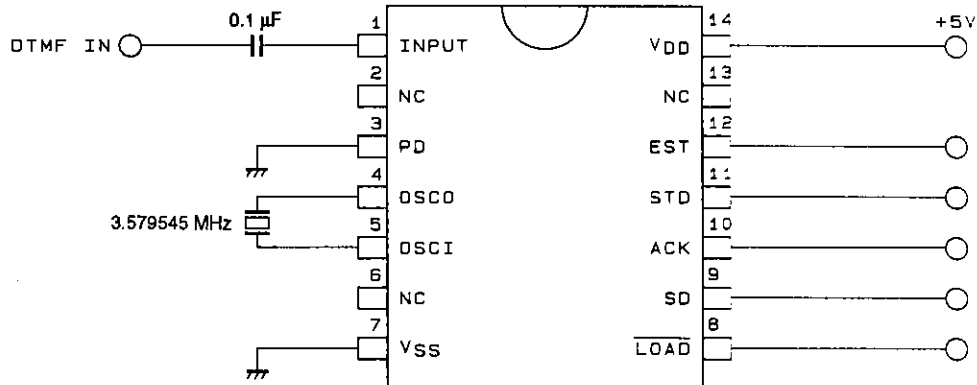
# LC73872M

## Equivalent Circuit Block Diagram



A01052

## Test Circuit/Application Circuit Example



A01053

LC73872M

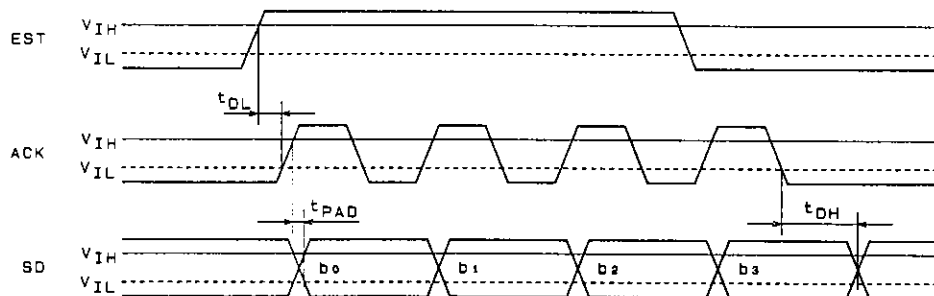
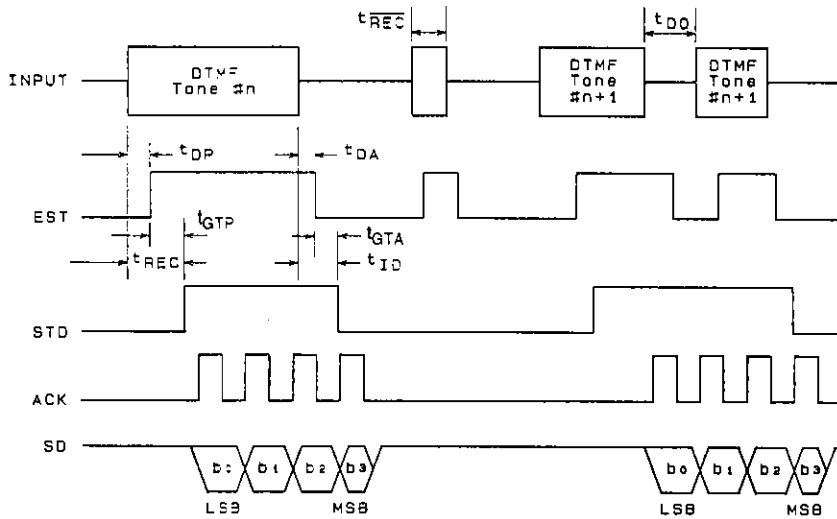
Output Code Table

F <sub>L</sub>	F <sub>H</sub>	KEY	b3	b2	b1	b0
697	1209	1	L	L	L	H
697	1336	2	L	L	H	L
697	1477	3	L	L	H	H
770	1209	4	L	H	L	L
770	1336	5	L	H	L	H
770	1477	6	L	H	H	L
852	1209	7	L	H	H	H
852	1336	8	H	L	L	L
852	1477	9	H	L	L	H
941	1336	0	H	L	H	L
941	1209	*	H	L	H	H
941	1477	#	H	H	L	L
697	1633	A	H	H	L	H
770	1633	B	H	H	H	L
852	1633	C	H	H	H	H
941	1633	D	L	L	L	L

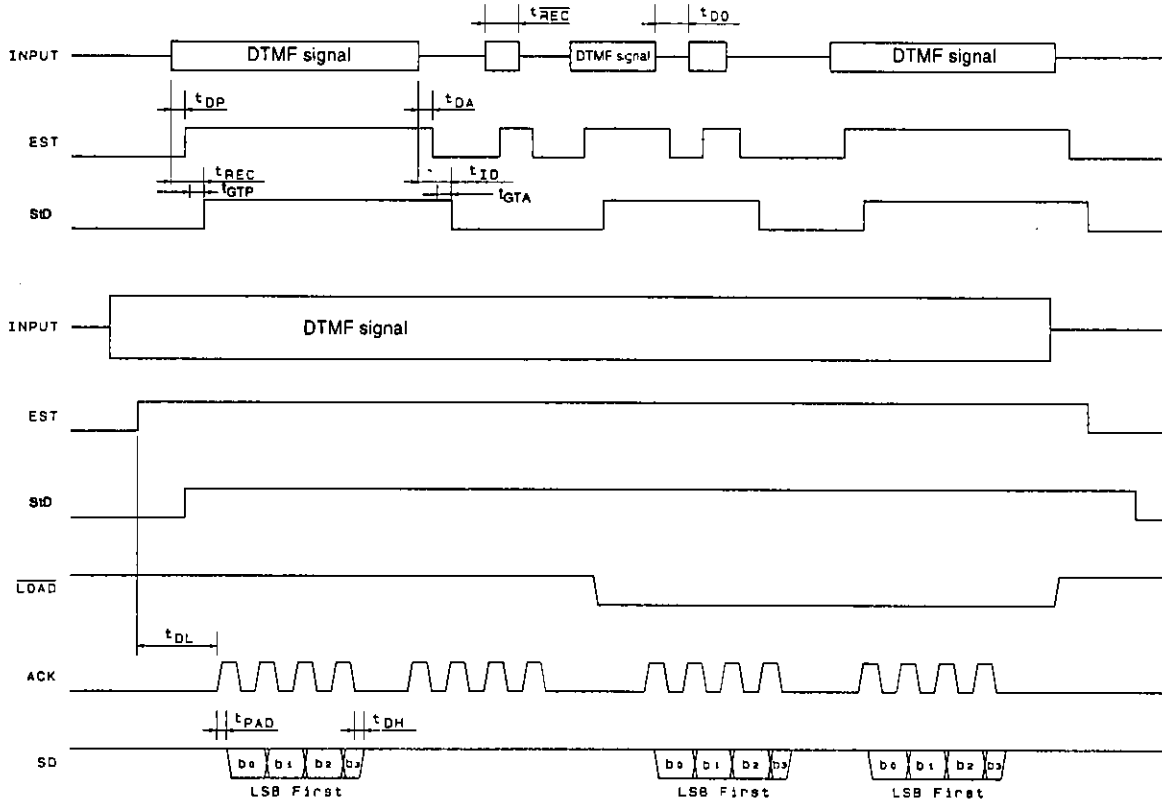
DTMF Dialing Matrix

	C1	C2	C3	C4
R1	1	2	3	A
R2	4	5	6	B
R3	7	8	9	C
R4	*	0	#	D

Timing Charts (Approximate)



Serial Data Read Out Timing for Second and Later Accesses



A01054

■ No products described or contained herein are intended for use in surgical implants, life-support systems, aerospace equipment, nuclear power control systems, vehicles, disaster crime-prevention equipment and the like, the failure of which may directly or indirectly cause injury, death or property loss.

■ Anyone purchasing any products described or contained herein for an above-mentioned use shall:

- ① Accept full responsibility and indemnify and defend SANYO ELECTRIC CO., LTD., its affiliates, subsidiaries and distributors and all their officers and employees, jointly and severally, against any and all claims and litigation and all damages, cost and expenses associated with such use;
- ② Not impose any responsibility for any fault or negligence which may be cited in any such claim or litigation on SANYO ELECTRIC CO., LTD., its affiliates, subsidiaries and distributors or any of their officers and employees jointly or severally.

■ Information (including circuit diagrams and circuit parameters) herein is for example only; it is not guaranteed for volume production. SANYO believes information herein is accurate and reliable, but no guarantees are made or implied regarding its use or any infringements of intellectual property rights or other rights of third parties.