

Ordering number :EN \*5684

CMOS LSI



**LC74201E**

**Video CD Decoder**

**Preliminary**

**Overview**

The LC74201E is a CMOS LSI that reduces the signal processing functions required of a video CD decoder to a single chip. All that it takes to make a version 1 or version 2 video CD player is the addition of a CD digital signal processor, DRAM, an audio D/A converter, digital video encoder, and similar components.

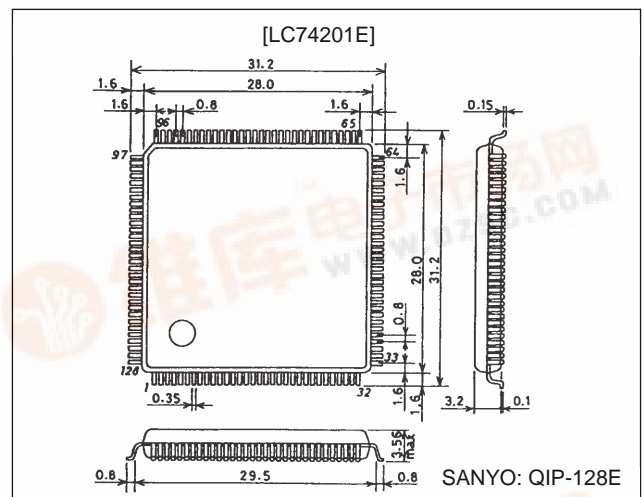
**Features**

- Incorporation of virtually almost all the functionality required by a video CD player from the CD-ROM decoder through to the MPEG audio and video decoders in a single chip
- Fully automatic playback with automatic decoding within the LSI in response to simple external commands and the MPEG bit stream
- Special playback functions are activated by command inputs, and do not require signal processing by the host microcomputer
- Support for two external DRAM configurations: 4 M bits (256k × 16 bits) or 4 M bits (256k × 16 bits) + 1 M bit (64k × 16 bits)
- Support for a Track 1 DRAM user area (i.e., sector buffer) of up to 8 k bytes (4 M bits of external DRAM) or 22 k bytes (5 M bits of external DRAM)
- Automatic synchronization of audio and video
- Built-in high-speed decoder core that supports variable-speed video playback at up to quadruple speed. Audio support for normal and double-speed playback.
- Internal registers that offer configuration settings for connecting to most commercially available CD digital signal processors and D/A converters
- Compatible with version 2 of the video CD standard. Support for superimposition of closed caption data on the output signal as specified in the EIA608 standard
- Support for Photo CD standard. (Base/4 and Base/16)

**Package Dimensions**

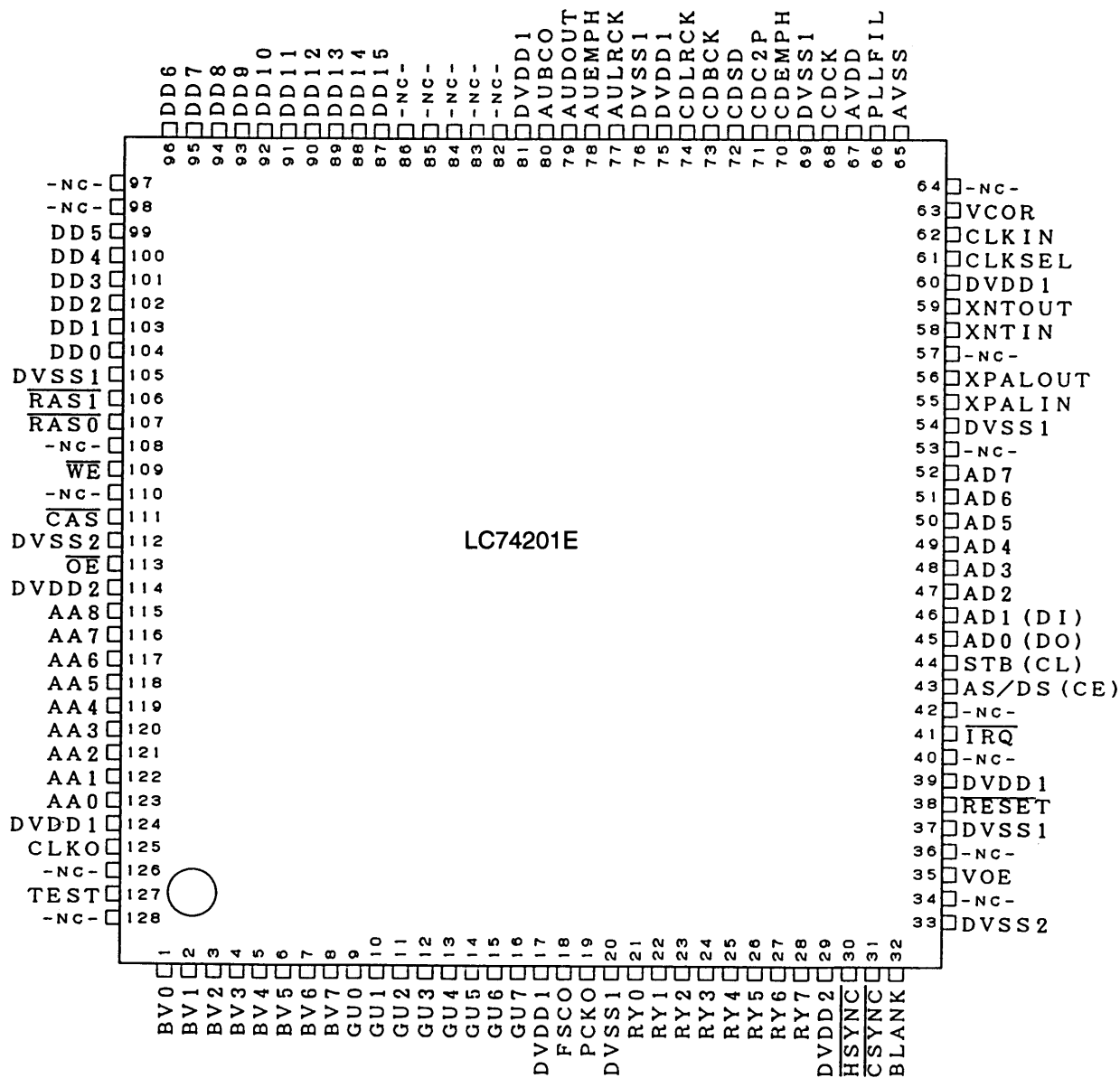
unit: mm

**3182-QFP-128E**



# LC74201E

## Pin Assignment



Top view

## LC74201E

### Pin Function

#### 1. Power supply, test pin, unconnected pins

Pin No.	Symbol	I/O	Logic	Function
17 39 60 75 81 124	DV <sub>DD1</sub>	–	–	System power supply (3-V power supply: 3.7 to 4.0 V)
20 37 54 69 76 105	DV <sub>SS1</sub>	–	–	System power supply (connect to ground)
29 114	DV <sub>DD2</sub>	–	–	Power supply for 5-V I/O pins (5-V power supply: 5.5 ± 0.5 V)
33 112	DV <sub>SS2</sub>	–	–	Power supply for 5-V I/O pins (connect to ground)
65	AV <sub>SS</sub>	–	–	Power supply for VCO and PLL (connect to ground)
67	AV <sub>DD</sub>	–	–	Power supply for VCO and PLL (3-V power supply: 3.7 to 4.0 V)
125	CLKO	Out	Positive	Power supply for VCO and PLL (connect to ground)
127	TEST	In	Positive	Test mode control pin (normally kept at low level)
	NC	–	–	Unconnected pins 34, 36, 40, 42, 53, 57, 64, 82, 83, 84 pins 85, 86, 97, 98, 108, 110, 126, 128 pins

## LC74201E

### 2. Clock pins

Pin No.	Symbol	I/O	Logic	Function
18	FSCO	Out	Positive	Subcarrier clock output (frequency = 1/4 pixel clock frequency). Tristate output using DV <sub>DD2</sub> (5-V) power supply.
19	PCKO	Out	Positive	Pixel clock output (NTSC-4fsc, PAL-4fsc, or 13.5 MHz). Tristate output using DV <sub>DD1</sub> (3-V) power supply.
55	XPALIN	In	–	Crystal oscillator connections for PAL-4fsc oscillation circuit (4fsc = 17.734475 MHz)
56	XPALOUT	Out	–	
58	XNTIN	In	–	Crystal oscillator connections for NTSC-4fsc oscillation circuit (4fsc = 14.31818 MHz)
59	XNTOUT	Out	–	
61	CLKSEL	In	Positive	Clock selection control input. High: 54.0-MHz clock input from pin 62 (CLKIN); Low: clock from internal VCO oscillator.
62	CLKIN	In	Positive	54.0-MHz clock input (with built-in bias). When not used, connect to DV <sub>DD1</sub> or DV <sub>SS1</sub> .
63	VCOR	–	–	Adjustment resistor connection for VCO oscillator circuit.
66	PLLFIL	–	–	PLL filter connection
68	CDCK	In	Positive	CD-DSP clock input (16.9344, 2.8224, or 2.1168 MHz)

### 3. Microcomputer interface

Pin No.	Symbol	I/O	Logic	Function
38	$\overline{\text{REST}}$	In	Negative	System reset input (Hysteresis input; built-in pull-up resistor).
41	$\overline{\text{IRQ}}$	Out	Negative	Interrupt request signal output (N-channel open-drain output).
43	AS/DS (CE)	In	Positive	Parallel interface: Address/data select input (Low = address). Serial interface: Serial transfer enable signal input (High = enabled).
44	STB (CL)	In	Positive	Parallel interface: Strobe signal input for address input and data I/O. Serial interface: Serial transfer clock signal input.
45	AD0 (DO)	I/O	Positive	Parallel interface: Address/data I/O port P0 (LSB). Serial interface: ZPSerial data output (LSB-first input).
46	AD1 (DI)	I/O	Positive	Parallel interface: Address/data I/O port P1. Serial interface: Serial data input (LSB-first output).
47	AD2	I/O	Positive	Parallel interface address/data I/O ports. The interface mode is determined by the input levels at the AD4 to AD6 pins at the rising edge of the $\overline{\text{RESET}}$ pin input. <ul style="list-style-type: none"> <li>• Serial interface: AD6:AD5:AD4 = 1:*:* (* = Don't care)</li> <li>• Parallel interface: AD6:AD5:AD4 = 0:1:0</li> </ul> AD7: Parallel interface address/data I/O port P7 (MSB).
48	AD3	I/O	Positive	
49	AD4	I/O	Positive	
50	AD5	I/O	Positive	
51	AD6	I/O	Positive	
52	AD7 (MBS)	I/O	Positive	

Note: AD0 to AD7 use N-channel open-drain outputs.

## LC74201E

### 4. CD interfaces

Pin No.	Symbol	I/O	Logic	Function
70	CDEMPH	In	Positive	Emphasis input (hysteresis input)
71	CDC2P	In	Positive	C2 error flag input (hysteresis input)
72	CDS D	In	Positive	Serial data input (hysteresis input)
73	CDBCK	In	Positive	Serial data bit clock input (hysteresis input)
74	CDLRCK	In	Positive	Left/right clock input (hysteresis input)

### 5. Audio D/A converter interface

Pin No.	Symbol	I/O	Logic	Function
77	AULRCK	Out	Positive	Audio data left/right clock output
78	AUEMPH	Out	Positive	Audio emphasis flag output
79	AUDOUT	Out	Positive	Audio data serial output
80	AUBCO	Out	Positive	Audio data bit clock output

Note: The four pins making up the audio D/A converter interface all use N-channel open-drain outputs.

### 6. Video interface

Pin No.	Symbol	I/O	Logic	Function
1	BV0 (LSB)	I/O	Positive	Video signal outputs (B/V signals). (Inputs only in test mode.)
2	BV1	I/O	Positive	
3	BV2	I/O	Positive	
4	BV3	I/O	Positive	
5	BV4	I/O	Positive	Video signal outputs (B/V signals). (Inputs only in test mode.)
6	BV5	I/O	Positive	
7	BV6	I/O	Positive	
8	BV7 (MSB)	I/O	Positive	
9	GU0 (LSB)	I/O	Positive	Video signal outputs (G/U signals). (Inputs only in test mode.)
10	GU1	I/O	Positive	
11	GU2	I/O	Positive	
12	GU3	I/O	Positive	
13	GU4	I/O	Positive	Video signal outputs (G/U signals). (Inputs only in test mode.)
14	GU5	I/O	Positive	
15	GU6	I/O	Positive	
16	GU7 (MSB)	I/O	Positive	
21	RY0 (LSB)	I/O	Positive	Video signal outputs (R/Y signals). (Inputs only in test mode.)
22	RY1	I/O	Positive	
23	RY2	I/O	Positive	
24	RY3	I/O	Positive	

Continued on next page.

## LC74201E

Continued from preceding page

Pin No.	Symbol	I/O	Logic	Function
25	RY4	I/O	Positive	Video signal outputs (R/Y signals). (Inputs only in test mode.)
26	RY5	I/O	Positive	
27	RY6	I/O	Positive	
28	RY7 (MSB)	I/O	Positive	Tristate output using DV <sub>DD2</sub> (5-V) power supply.
30	$\overline{\text{HSYNC}}$	Out	Negative	Horizontal synchronization signal output. Tristate output using DV <sub>DD2</sub> (5-V) power supply.
31	$\overline{\text{CSYNC}}$	Out	Negative	Composite synchronization signal output. Tristate output using DV <sub>DD2</sub> (5-V) power supply.
32	BLANK	Out	Positive	Blanking signal output (horizontal and vertical blanking interval signal). Tristate output using DV <sub>DD2</sub> (5-V) power supply.
35	VOE	In	Positive	Video output enable signal input. High: Enable output.
87	DD15 (MSB)	I/O	Positive	Data bus to DRAM.
88	DD14	I/O	Positive	
89	DD13	I/O	Positive	
90	DD12	I/O	Positive	
91	DD11	I/O	Positive	
92	DD10	I/O	Positive	
93	DD9	I/O	Positive	
94	DD8	I/O	Positive	
95	DD7	I/O	Positive	
96	DD6	I/O	Positive	
99	DD5	I/O	Positive	
100	DD4	I/O	Positive	
101	DD3	I/O	Positive	
102	DD2	I/O	Positive	
103	DD1	I/O	Positive	
104	DD0 (LSB)	I/O	Positive	
106	$\overline{\text{RAS1}}$	Out	Positive	Row address strobe signal output to expansion 1-Mbit DRAM. Tristate output using DV <sub>DD2</sub> (5-V) power supply.
107	$\overline{\text{RAS0}}$	Out	Positive	7
109	$\overline{\text{WE}}$	Out	Positive	Write enable signal output to DRAM. Tristate output using DV <sub>DD2</sub> (5-V) power supply.
111	$\overline{\text{CAS}}$	Out	Positive	Column address strobe signal output to DRAM. Tristate output using DV <sub>DD2</sub> (5-V) power supply.
113	$\overline{\text{OE}}$	Out	Positive	Output enable signal output to DRAM. Tristate output using DV <sub>DD2</sub> (5-V) power supply.

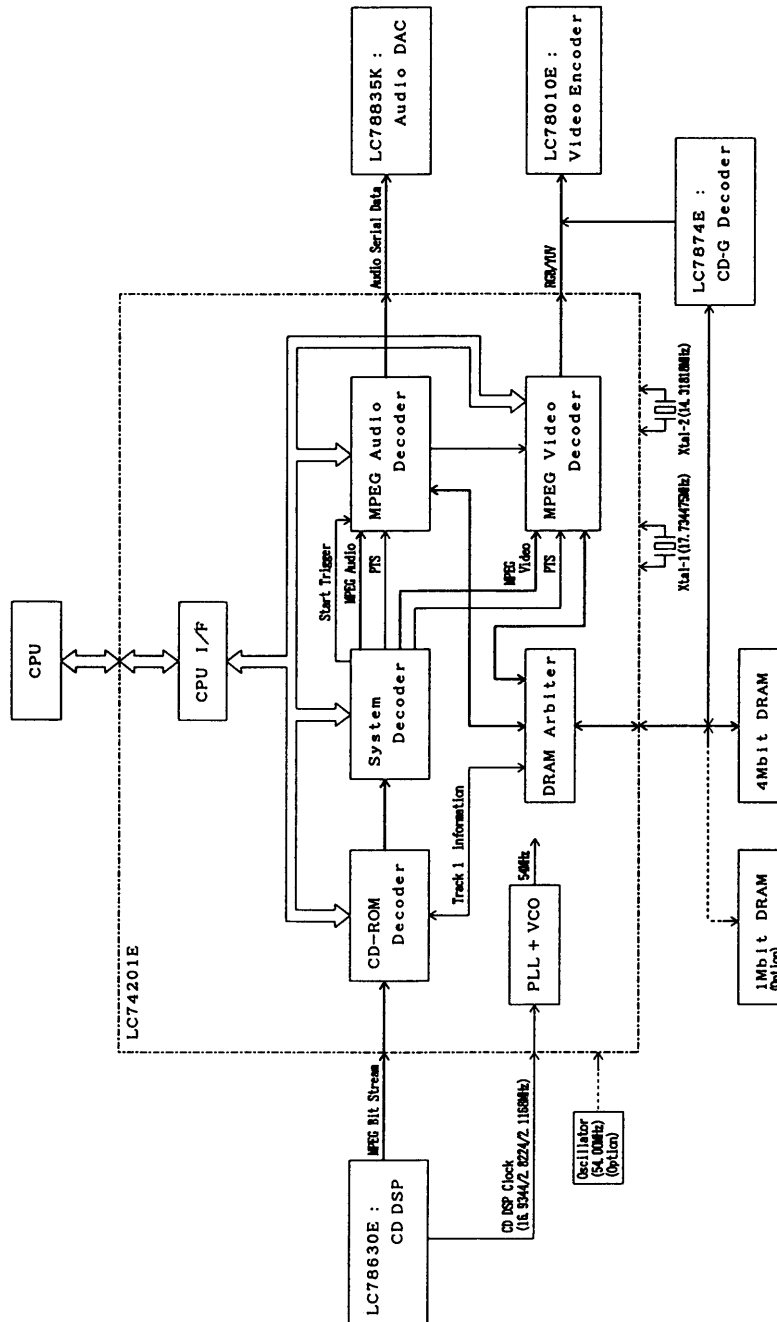
Continued on next page.

## LC74201E

Continued from preceding page

Pin No.	Symbol	I/O	Logic	Function	
115	AA8 (MSB)	Out	Positive	Address output to DRAM.	
116	AA7	Out	Positive		
117	AA6	Out	Positive		
118	AA5	Out	Positive		
119	AA4	Out	Positive		
120	AA3	Out	Positive		
121	AA2	Out	Positive		
122	AA1	Out	Positive		
123	AA0 (LSB)	Out	Positive		Tristate output using DV <sub>DD2</sub> (5-V) power supply.

### Block Diagram



**Block Descriptions**

1. CD-ROM decoder

This block takes the MPEG bit stream from the external CD digital signal processor and decodes it in accordance with the CD-ROM standard.

- The decoded data is automatically transferred to the next stage, the system decoder.
- Storing the decoded data in DRAM is also possible.
- The high-speed decoder core supports quadruple-speed playback.
- Internal registers offer settings for connecting to most commercially available CD digital signal processors.
  - 32- or 24-slot
  - LSB or MSB first
  - Front- or rear-packing for data
  - Rising or falling edge for bit clock
- The video CD's track 1 data can be stored in a user area set aside in the external DRAM.
- An auto restart function stores the address of the last sector accessed before a pause so that playback can resume at the next sector when the pause ends.
- The contents of the sector header and subheader are available from registers.

2. System decoder

This block analyzes the MPEG bit stream, splits it into video and audio bit streams, and transfers these bit streams to the corresponding decoders. It calculates the decode start timing from the time stamp and the decoders' inherent delays and generates the necessary start signals to provide automatic synchronization of audio and video outputs.

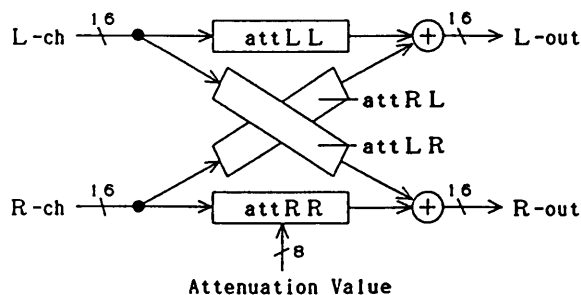
3. CPU interface

This interface allows the CPU to access the internal registers to set parameters controlling operation and to read out operational status. It may be configured as either an 8-bit parallel interface multiplexing data and addresses or as a 4-wire serial interface.

4. Audio decoder

This block decodes the MPEG1 audio bit stream from the system decoder in accordance with the ISO11172-3 standard.

- The use of 24-bit internal precision yields high audio quality.
- The decoder supports all MPEG audio modes defined for layers 1 and 2 except the free format mode.
- Internal registers offer settings for connecting to most commercially available D/A converters.
- The block includes a cross attenuator compliant with the CD-i standard.
- The block supports readout of the frame header data.
- The block performs CRC checking. If there is an error, it automatically substitutes the preceding frame stored in DRAM. If there are continuous errors, it switches to muting.



**Cross Attenuator**



## LC74201E

---

### 5. Video decoder

This block decodes all layers (from the video sequence layer to the block layer plus the headers) from the MPEG1 video bit stream from the system decoder in accordance with the ISO11172-2 standard.

- The decoding requires no external signal processing. The LSI internals handle everything automatically. All that is required from outside the chip are simple commands and the MPEG bit stream.
- A PLL circuit permits synchronization of the system clock with the CD digital signal processor. Commands offer a choice of the following frequencies.
  - 16.9344 MHz
  - 2.8224 MHz
  - 2.1168 MHz
- The decoder supports the following image formats.
  - 352 dots × 240 lines, 29.97 Hz (NTSC, PAL-60 Hz)
  - 352 dots × 240 lines, 23.976 Hz (Film)
  - 352 dots × 288 lines, 25.00 Hz (PAL)
  - 704 dots × 480 lines, high-resolution still image (NTSC)
  - 704 dots × 576 lines, high-resolution still image (PAL)
- Built-in filters provide high image quality.
  - Built-in sampling rate conversion filter for horizontal direction
  - Built-in vertical filter
- The decoder supports a variety of video output specifications.
  - Support for NTSC (59.94 Hz) and PAL (50 Hz) monitors
  - Built-in video timing generator
  - Switching between interlaced and non-interlaced operation
  - Built-in YUV-to-RGB conversion matrix with choice of 24-bit RGB, 24-bit YUV, and 16-bit YUV output
  - Film-NTSC conversion
  - Simple two-way conversion between NTSC or Film and PAL with built-in aspect ratio conversion
  - Choice of pixel clocks: 13.5 MHz, 6.75 MHz, and 4 fsc
- The decoder offers special playback functions.
  - Special playback functions require no signal processing by the CPU.
  - Such functions as double-, triple-, and quadruple-speed playback, still image playback, pause, slow, and single-stepping (one-cut play) are available with simple commands.
  - The built-in multitile function offers the display of 4 or 16 small images on the screen with the display positions freely selectable and processing of up to two fields supported.
  - The built-in wipe function supports wiping within a frame, display outside that frame, and changing the frame color.
- The decoder includes bit buffer management functions.
  - These monitor the bit buffer for errors and control the decoder to automatically adjust the amount of data in the bit buffer to maintain normal operation at all times.
  - Depending on the state of the bit buffer, the decoder automatically skips or repeats images. Skipping gives precedence to B pictures.
- The decoder includes frame buffer management functions. These provide all internal support for frame buffer mapping control (for the display, reconstruction frame, front frame, and rear frame) and the mapping control and setting accompanying mode changes between high-resolution still images and motion picture playback.
- The decoder includes various fail-safe functions.
- The decoder supports version 2 of the video CD standard.
  - User data is accessible from outside the decoder.
  - The decoder supports superimposition of closed caption data on the output RGB/YUV signal as specified in the EIA608 standard.
- The decoder supports decoding of Photo CDs (using Base/4 and lower).

## LC74201E

---

### 6. DRAM arbiter

This block provides the interface to the external DRAM. In addition to the standard 4-M bit DRAM, there can also be a 1-M bit DRAM for supporting PAL high-resolution still image playback. If this additional DRAM is not available, the LSI trims the top and bottom 48 lines of the image and provides a function for vertically scrolling the display area in 16-line increments.

## LC74201E

### Absolute Maximum Ratings

Parameter	Symbol	Conditions	Ratings		Unit
			min	max	
Power supply voltage	V <sub>DD1</sub>	DV <sub>DD1</sub> pin	DV <sub>SS1</sub> – 0.3	DV <sub>SS1</sub> + 4.0	V
	V <sub>DD2</sub>	DV <sub>DD2</sub> pin	DV <sub>SS2</sub> – 0.3	DV <sub>SS2</sub> + 6.0	V
	V <sub>DD3</sub>	AV <sub>DD</sub> pin	AV <sub>SS</sub> – 0.3	AV <sub>SS</sub> + 4.0	V
Input voltage	V <sub>IN1</sub>	BV0 to EV3, GU0 to GU3, RY0 to RY3, RESET, XPALIN, XNTIN, CLKIN, VCOR, PLLFIL, TEST pins	DV <sub>SS1</sub> – 0.3	DV <sub>DD1</sub> + 0.3	V
	V <sub>IN2</sub>	VOE, AS/DS, STB, AD0 to AD7, CLKSEL, CDCK, CDEMPH, CDC2P, CDS, CDBCK, CDLRCK pins	DV <sub>SS1</sub> – 0.3	5.5	V
	V <sub>IN3</sub>	BV4 to BV7, GU4 to GU7, RY4 to TY7, DD0 to DD15 pins	DV <sub>SS2</sub> – 0.3	DV <sub>SS2</sub> + 0.3	V
Output voltage	V <sub>OUT</sub>	BV0 to EV3, GU0 to GU3, RY0 to RY3, PCK0, XPALOUT, XNTOUT, CLK0, AULRCK, AUEMPH, AUDOUT, AUBC0 pins	DV <sub>SS1</sub> – 0.3	DV <sub>DD1</sub> + 0.3	V
	V <sub>OUT</sub>	IRQ, AD0 to AD 7, CAS pins	DV <sub>SS1</sub> – 0.3	–	V
	V <sub>OUT</sub>	BV4 to BV7, GU4 to GU7, RY4 to TY7, FSC0, HSYNC, CSYNC, BLANK, RAS0, RAS1, WE, OE, AA0 to AA8 pins	DV <sub>SS2</sub> – 0.3	DV <sub>SS2</sub> + 0.3	V
Maximum current drain	Pd max	Ta = 25°C	–	500	mW
Operating temperature	Topr		–25	+75	°C
Storage temperature	Tstg		–40	+125	°C

### Recommended Operating Conditions at Ta = –25°C to +75°C

Parameter	Symbol	Conditions	Ratings			Unit
			min	typ	max	
Supply voltage	V <sub>DD1</sub>	DV <sub>DD1</sub> pin	3.7	–	4.0	V
	V <sub>DD2</sub>	DV <sub>DD2</sub> pin	4.5	5.0	5.5	V
	V <sub>DD3</sub>	AV <sub>DD</sub> pin	3.7	–	4.0	V
High-level input voltage	V <sub>IH1</sub>	BV0 to BV3, GU0 to GU3, RY0 to RY3 pins	0.7V <sub>DD1</sub>	–	V <sub>DD1</sub> + 0.3	V
	V <sub>IH2</sub>	RESET pin	0.8V <sub>DD1</sub>	–	V <sub>DD1</sub> + 0.3	V
	V <sub>IH3</sub>	VOE, AD0 to AD7, CDCK, CLKSEL, TEST pins	0.7V <sub>DD1</sub>	–	5.5	V
	V <sub>IH4</sub>	AS/DS, STB, CDEMPH, CDC2P, CDS, CDBCK, CDLRCK pins	0.8V <sub>DD1</sub>	–	5.5	V
	V <sub>IH5</sub>	BV4 to BV7, GU4 to GU7, RY4 to RY7, DD0 to DD15 pins	0.7V <sub>DD1</sub>	–	V <sub>DD2</sub> + 0.3	V
Low-level input voltage	V <sub>IL1</sub>	BV0 to BV7, GU0 to GU7, RY0 to RY7, VOE, CDCK, AD0 to AD7, CLKSEL, TEST, DD0 to DD15 pins	V <sub>SS1</sub> – 0.3	–	0.3V <sub>DD1</sub>	V
	V <sub>IL2</sub>	RESET, AS/DS, STB, CDEMPH, CDC2P, CDS, CDBCK, CDLRCK pins	V <sub>SS1</sub> – 0.3	–	0.2V <sub>DD1</sub>	V
Clock frequency	FOSC1	XPALIN, XPALOUT pins (PAL)	–	17.734475	–	MHz
	FOSC2	XNTIN, XNTOUT pins (NTSC)	–	14.31818	–	MHz
Input amplitude	V <sub>IN1</sub>	CLKIN pin (CLKSEL = high; FIN2 = 54 MHz)	1.0	–	V <sub>DD1</sub> + 0.3	Vp-p
Input frequency	F <sub>IN1</sub>	Command – 11hex; D1, D0 = 0,0	–	16.9344	–	MHz
		Command – 11hex; D1, D0 = 0,1	–	2.1168	–	MHz
		Command – 11hex; D1, D0 = 1,0	–	2.8224	–	MHz
	F <sub>IN2</sub>	CLKIN pin (CLKSEL = high)	–	54.000	–	MHz
Clock duty	fduty	CLKIN, CDCK pins	40	–	60	%

## LC74201E

### Electrical Characteristics

at Ta = -25 to +75°C, DV<sub>DD1</sub> = AV<sub>DD</sub> = 3.7 V and DV<sub>DD2</sub> = 5.0 V unless otherwise specified.

Parameter	Symbol	Conditions	Ratings			Unit
			min	typ	max	
High-level input current	I <sub>IH1</sub>	AS/DS, STB, CDEMPH, CDC2P, CDS, CDBCK, CDLRCK pins. Condition: V <sub>IN</sub> = 5.5 V	-	-	1	μA
	I <sub>IH2</sub>	VOE, CLKSEL, CDCK, TEST pins. Condition: V <sub>IN</sub> = 5.5 V	-	-	1	μA
	I <sub>IH3</sub>	RESE $\overline{T}$ pin. Condition: V <sub>IN</sub> = DV <sub>DD1</sub>	-	-	1	μA
	I <sub>IH4</sub>	CLKIN pin. (CLKSEL = low) Condition: V <sub>IN</sub> = DV <sub>DD1</sub>	-	-	1	μA
	I <sub>IH5</sub>	VCOR, PLLFIL pins. (RESE $\overline{T}$ = low) Condition: V <sub>IN</sub> = DV <sub>DD1</sub>	-	-	1	μA
	I <sub>IH6</sub>	VCOR, PLLFIL pins. (RESE $\overline{T}$ = low) Condition: V <sub>IN</sub> = DV <sub>DD1</sub>	-	-	1	μA
Low-level input current	I <sub>IL1</sub>	AS/DS, STB, CDEMPH, CDC2P, CDS, CDBCK, CDLRCK pins. Condition: V <sub>IN</sub> = DV <sub>SS1</sub>	-1	-	-	μA
	I <sub>IL2</sub>	VOE, CLKSEL, CDCK, TEST pins. Condition: V <sub>IN</sub> = DV <sub>SS1</sub>	-1	-	-	μA
	I <sub>IL3</sub>	RESE $\overline{T}$ pin. Condition: V <sub>IN</sub> = DV <sub>SS1</sub>	-1	-	-	μA
	I <sub>IL4</sub>	CLKIN pin. (CLKSEL = low) Condition: V <sub>IN</sub> = DV <sub>SS1</sub>	-1	-	-	μA
	I <sub>IL5</sub>	VCOR, PLLFIL pins. (RESE $\overline{T}$ = low) Condition: V <sub>IN</sub> = DV <sub>DD1</sub>	-1	-	-	μA
	I <sub>IL6</sub>	VCOR, PLLFIL pins. (RESE $\overline{T}$ = low) Condition: V <sub>IN</sub> = DV <sub>DD1</sub>	-1	-	-	μA
Pull-up resistor	RPU1	RESE $\overline{T}$ pin. Condition: DV <sub>DD1</sub> = 3.7 V	-	30	-	kΩ
Pull-down resistor	RPD1	XPALIN pin. (NTSC mode) Condition: DV <sub>DD1</sub> = 3.7 V	-	30	-	kΩ
	RPD2	XNTIN pin. (PAL mode) Condition: DV <sub>DD1</sub> = 3.7 V	-	30	-	kΩ
	RPD3	DD0 to DD15 pins. (Standby mode) Condition: DV <sub>DD2</sub> = 5.0 V	100	-	-	kΩ

Continued on next page.

## LC74201E

Continued from preceding page.

Parameter	Symbol	Conditions	Ratings			Unit
			min	typ	max	
Built-in feedback resistor	RBIAS1	XPALIN, XPALOUT, XNTIN, XNTOUT pins. Condition: $DV_{DD1} = 3.7\text{ V}$	–	1	–	$M\Omega$
	RBIAS2	CLKIN pin. (CLKSEL = high) Condition: $DV_{DD1} = 3.7\text{ V}$	–	1	–	$M\Omega$
High-level output voltage	$V_{OH1}$	BV0 to BV3, GU0 to GU3, RY0 to RY3, PCK0, AULRCK, AUEMPH, AUDOUT, AUBCO pins. Conditions: $DV_{DD1} = 3.7\text{ V}$ , $I_{OH} = -1.0\text{ mA}$	3.2	–	–	V
	$V_{OH2}$	CLK0 pin. Conditions: $DV_{DD1} = 3.7\text{ V}$ , $I_{OH} = -1.0\text{ mA}$	3.5	–	–	V
	$V_{OH3}$	BV4 to BV7, GU4 to GU7, RY4 to RY7, FSC0, HSYNC, CSYNC, BLANK, DD0 to DD15 RAS0, RAS1, WE, OE, AA0 to AA8 pins. Conditions: $DV_{DD1} = 3.7\text{ V}$ , $I_{OH} = -1.0\text{ mA}$	4.5	–	–	V
	$V_{OH4}$	XPALOUT, XNTOUT pins. Conditions: $DV_{DD1} = 3.7\text{ V}$ , $I_{OH} = -0.1\text{ mA}$	3.5	–	–	V
Low-level output voltage	$V_{OL1}$	BV0 to BV3, GU0 to GU3, RY0 to RY3, PCK0, AULRCK, AUEMPH, AUDOUT, AUBCO pins Conditions: $DV_{DD1} = 3.7\text{ V}$ , $I_{OL} = 1.0\text{ mA}$	–	–	0.5	V
	$V_{OL2}$	CLK0 pin. Conditions: $DV_{DD1} = 3.7\text{ V}$ , $I_{OL} = 1.0\text{ mA}$	–	–	0.2	V
	$V_{OL3}$	BV4 to BV7, GU4 to GU7, RY4 to RY7, FSC0, HSYNC, CSYNC, BLANK, DD0 to DD15 RAS0, RAS1, WE, OE, AA0 to AA8 pins. Conditions: $DV_{DD2} = 5.0\text{ V}$ , $I_{OL} = 1.0\text{ mA}$	–	–	0.5	V
	$V_{OL4}$	$\overline{IRQ}$ , AD0 to AD7 pins. Conditions: $DV_{DD1} = 3.7\text{ V}$ , $I_{OL} = 1.0\text{ mA}$	–	–	0.5	V
	$V_{OL5}$	$\overline{CAS}$ pin. Conditions: $DV_{DD1} = 3.7\text{ V}$ , $I_{OL} = 1.0\text{ mA}$	–	–	0.2	V
	$V_{OL6}$	XPALOUT, XNTOUT pins. Conditions: $DV_{DD1} = 3.7\text{ V}$ , $I_{OL} = 0.1\text{ mA}$	–	–	0.2	V
Output off leak current	$I_{OFF1}$	BV0 to BV3, GU0 to GU3, RY0 to RY3, PCK0 pins. Condition: $V_{OUT} = DV_{DD1}$ or $DV_{SS}$	–1	–	1	$\mu\text{A}$
	$I_{OFF2}$	$\overline{IRQ}$ , AD0 to AD7, $\overline{CAS}$ pins Conditions: $V_{OUT} = 5.5\text{ V}$ or $DV_{SS}$	–1	–	1	$\mu\text{A}$
	$I_{OFF3}$	BV4 to BV7, GU4 to GU7, RY4 to RY7, FSC0, HSYNC, CSYNC, BLANK, DD0 to DD3 RAS0, WE, OE, AA0 to AA7 pins. Conditions: $V_{OUT} = DV_{DD2}$ or $DV_{SS}$	–1	–	1	$\mu\text{A}$
Current drain during operation	$I_{DD1}$	$DV_{DD1}$ pin (All outputs open)	–	(90)	–	mA
	$I_{DD2}$	$AV_{DD}$ pin (CLKSEL = low, VCO oscillating)	–	(15)	–	mA
	$I_{DD3}$	$DV_{DD2}$ pin (All outputs open)	–	(20)	–	mA

## LC74201E

### Microcomputer Interface

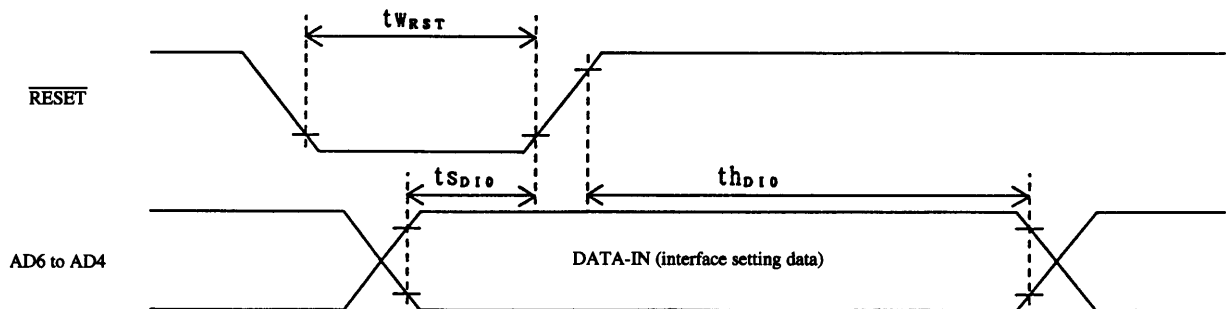
The microcomputer interface offers a choice of parallel or serial operation. The configuration is determined by the input levels at the AD4 to AD6 pins (pins 49 to 51) at the rising edge of the  $\overline{\text{RESET}}$  pin (pin 38) input.

- Parallel interface setting conditions
  - [AD6, AD5, AD4] = [0, 1, 0]: Data read at rising edge of STB pin (pin 44) input.
  - [AD6, AD5, AD4] = [0, 1, 1]: Data read at falling edge of STB pin (pin 44) input.
  - [AD6, AD5, AD4] = [0, 0, 0]: Data read while STB pin (pin 44) input at high level.
- Serial interface setting conditions
  - [AD6, AD5, AD4] = [1, \*, \*]

- Notes:
1. Do not use any mode specifications other than the above.
  2. A reset ( $\overline{\text{RESET}} = \text{low}$ ) configures the AD0 to AD7 pins (pins 45 to 52) for input.
  3. The serial input mode fixes the AD2 to AD7 pins in input mode. Always treat them as input pins (by connecting them to either ground or  $\text{DV}_{\text{DD1}}$ ). If the interface is used for serial operation, the AD6 pin may be fixed at high level without any problems.
  4. The RESET pin (pin 38) includes a built-in pul-up resistor. Do not apply a voltage higher than  $\text{DV}_{\text{DD1}}$ .

### Timing Characteristics at $T_a = +25^\circ\text{C}$ , $\text{DV}_{\text{DD1}} = 3.7\text{ V}$

Parameter	Symbol	Conditions	Ratings		Unit
			min	max	
Data setup time	$\text{TS}_{\text{D10}}$	AD6 to AD4 $\rightarrow$ $\overline{\text{RESET}}$ pin	180	–	ns
Data hold time	$\text{TH}_{\text{D10}}$	AD6 to AD4 $\rightarrow$ $\overline{\text{RESET}}$ pin	180	–	ns
Minimum reset pulse width	$\text{TW}_{\text{RST}}$	$\overline{\text{RESET}}$ pin	180	–	ns



## LC74201E

### 1. Parallel interface

The parallel interface uses the following two input pins and eight I/O pins.

- $\overline{AS}/DS$  pin (pin 43: input): Address/data select input. low = address; high = data.
- STB pin (pin 44: input): Strobe signal input for address input and data I/O.
- AD0 pin (pin 45 : I/O): Address input and data I/O
- AD1 pin (pin 46 : I/O): Address input and data I/O
- AD2 pin (pin 47 : I/O): Address input and data I/O
- AD3 pin (pin 48 : I/O): Address input and data I/O
- AD4 pin (pin 49 : I/O): Address input and data I/O
- AD5 pin (pin 50 : I/O): Address input and data I/O
- AD6 pin (pin 51 : I/O): Address input and data I/O
- AD7 pin (pin 52 : I/O): Address input and data I/O

Note: The address cannot be read.

#### 1-1 Address and data transfer procedures

The command address is assigned to the lowest seven bits of the address. The most significant bit (AD7) is used to specify write or read. The address can only be written. It cannot be read.

- Writing data

Drive the  $\overline{AS}/DS$  pin (pin 43) at low level to specify address input.

Specify the address in the lowest seven bits. Set the top bit to 0.

Drive the STB pin (pin 44) at high level to cause the LSI to read the address.

The parallel interface mode can be configured to read input using a choice of three different timings.

- Data read at rising edge of STB pin input.
- Data read at falling edge of STB pin input.
- Data read while STB pin input at high level.

Pin 52	Pin 51	Pin 50	Pin 49	Pin 48	Pin 47	Pin 46	Pin 45
MSB A D 7	A D 6	A D 5	A D 4	A D 3	A D 2	A D 1	LSB A D 0
0	Command address						

Drive the  $\overline{AS}/DS$  pin (pin 43) at high level to specify data I/O.

Drive the STB pin (pin 44) at high level to cause the LSI to read the data.

MSB A D 7	A D 6	A D 5	A D 4	A D 3	A D 2	A D 1	LSB A D 0
Input data							
Data-7	Data-6	Data-5	Data-4	Data-3	Data-2	Data-1	Data-0

## LC74201E

- Reading data

Drive the  $\overline{AS}/DS$  pin (pin 43) at low level to specify address input.

Specify the address in the lowest seven bits. Set the top bit to 1.

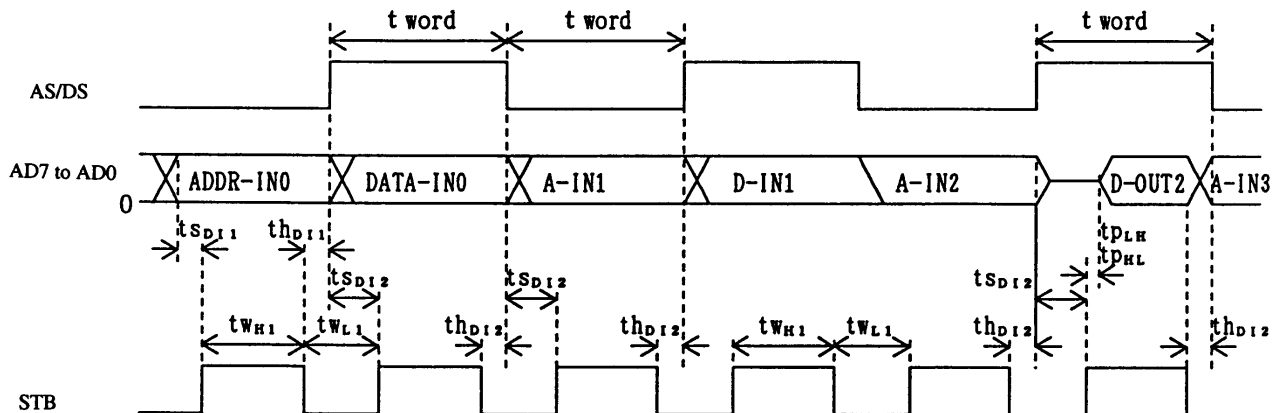
Drive the  $\overline{AS}/DS$  pin (pin 43) at high level to specify data I/O.

Drive the STB pin (pin 44) at high level to cause the LSI to write the data.

1-2 Timing characteristics at  $T_a = +25^\circ\text{C}$ ,  $DV_{DD1} = 3.7\text{ V}$

Parameter	Symbol	Conditions	Ratings		Unit
			min	max	
Minimum input pulse width	$t_{wH1}$	STB pin high level pulse width	180	–	ns
	$t_{wL1}$	STB pin low level pulse width	180	–	ns
Strobe rising time	$t_r1$	STB pin	–	50	ns
Strobe falling time	$t_f1$	STB pin	–	50	ns
Data setup time	$t_{sD1}$	AD7 to AD0 $\rightarrow$ STB pin	25	–	ns
	$t_{sD2}$	$\overline{AS}/DS \rightarrow$ STB pin	25	–	ns
Data hold time	$t_{hD1}$	STB $\rightarrow$ AD0 to AD7 pin	25	–	ns
	$t_{hD2}$	STB $\rightarrow$ $\overline{AS}/DS$ pin	25	–	ns
Single to word read/write time	$t_{word}$	AS/DS pin	200	–	ns
Data output propagation time	$t_{pLH1}$	AD0 to AD7 data output high propagation time	–	150	ns
	$t_{pHL1}$	AD0 to AD7 data output low propagation time	–	55	ns

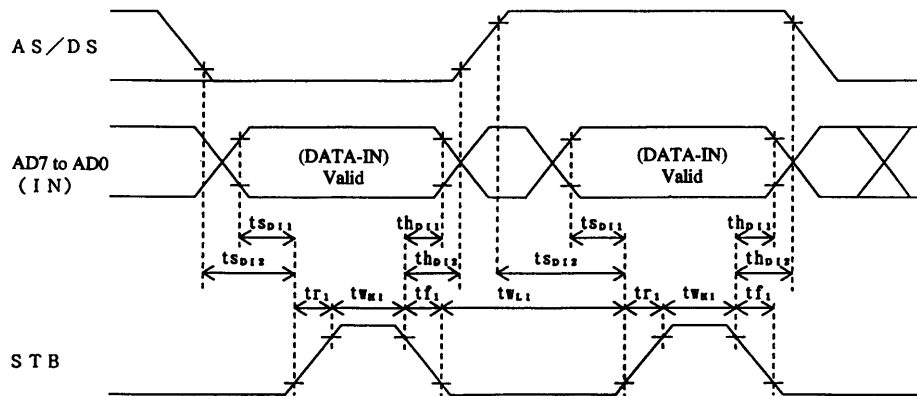
Note: AD0 to AD7 use N-channel open-drain outputs. The standard values for  $t_{pLH1}$  and  $t_{pHL1}$  are for an output load capacitance of 50 pF, an external pull to up resistor of 2.7 k $\Omega$ , and an output level of 5.0 V.



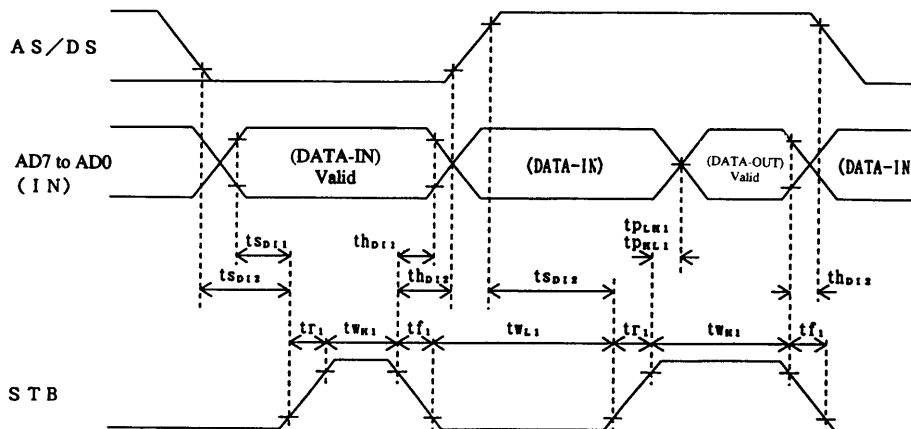


## LC74201E

- Address/data write timing



- Data read timing



## 2. Serial interface

The serial interface uses the following three input pins and one output pin.

- CE pin (pin 43: input): Serial transfer enable signal input
- CL pin (pin 44: input): Serial transfer clock signal input
- DO pin (pin 45: input): Serial transfer data output
- DI pin (pin 46: input) Serial data input  
Data transfer is active while the CE pin is high level.  
Data transfer proceeds in LSB to first order.  
Data input is synchronized with the rising edge of the clock.  
Data output is synchronized with the falling edge of the clock.

Notes: Do not write command or other data to the serial data input pin while the LSI is writing data. The serial data output pin is in the high impedance state during data input.

### 2-1 Address and data transfer procedures

The command address is assigned to the lowest seven bits of the address. The most significant bit (AD7) is used to specify write or read. The address can only be written. It cannot be read.

Data transfer proceeds in LSB to first order.

Address input and data I/O are valid while the CE pin (pin 43) is high level.

Supply the serial data input clock to the CL pin (pin 44). The LSI reads and writes data in synchronization with the rising edge of the serial clock signal.

## LC74201E

---

- Writing data

Data input is via the DI pin (pin 46). The lowest seven bits give the address. The top bit is 0. The command address is assigned to the lowest seven bits.

DI (pin 46): LSB-first input									
MSB	Data-7	Data-6	Data-5	Data-4	Data-3	Data-2	Data-1	Data-0	LSB
0	Command address								

Write the data after specifying the address.

DI (pin 46): LSB-first input									
MSB	Data-7	Data-6	Data-5	Data-4	Data-3	Data-2	Data-1	Data-0	LSB
Input data									
Din-7	Din-6	Din-5	Din-4	Din-3	Din-2	Din-1	Din-0		

- Reading data

Data output is via the DO pin (pin 45). The lowest seven bits give the address. The top bit is 0. The command address is assigned to the lowest seven bits.

DI (pin 46): LSB-first input									
MSB	Data-7	Data-6	Data-5	Data-4	Data-3	Data-2	Data-1	Data-0	LSB
1	Command address								

Read the data after specifying the address.

DI (pin 45): LSB-first output									
MSB	Data-7	Data-6	Data-5	Data-4	Data-3	Data-2	Data-1	Data-0	LSB
Output data									
Dout-7	Dout-6	Dout-5	Dout-4	Dout-3	Dout-2	Dout-1	Dout-0		

## LC74201E

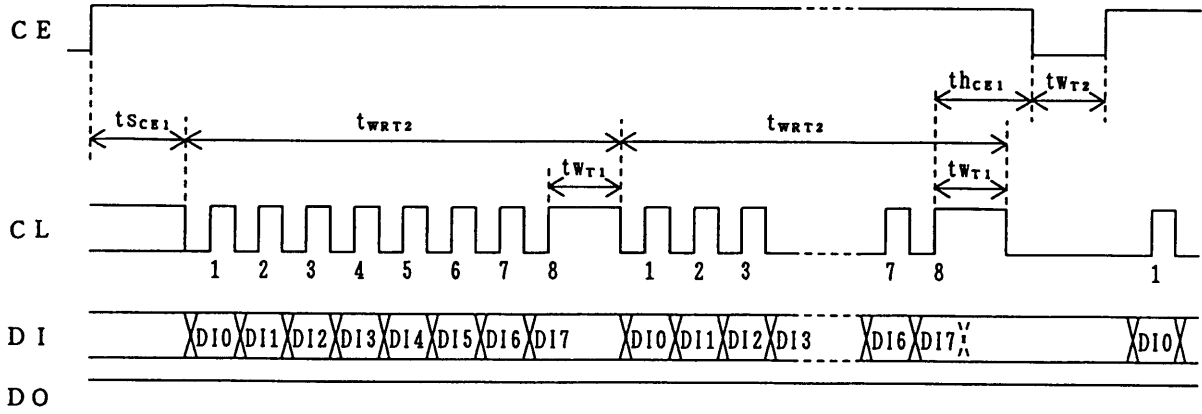
2-2 Timing characteristics at  $T_a = +25^\circ\text{C}$ ,  $DV_{DD1} = 3.7\text{ V}$

Parameter	Symbol	Conditions	Ratings		Unit
			min	max	
Minimum input pulse width	$t_{wH2}$	CL pin high level pulse width	180	–	ns
	$t_{wL2}$	CL pin low level pulse width	180	–	ns
Clock rising time	$t_{r3}$	CL pin	–	50	ns
Clock falling time	$t_{f3}$	CL pin	–	50	ns
Data setup time	$t_{SDI14}$	DI → CL pin	25	–	ns
Data hold time	$t_{HD14}$	CL → CL pin	25	–	ns
CE setup time	$t_{SCE1}$	CE pin	25	–	ns
CE hold time	$t_{HCE1}$	CE pin	25	–	ns
Data read-in time	$t_{WT1}$	Serial data read- in time	180	–	ns
Data restart time	$t_{WT2}$	Serial transfer restart time	360	–	ns
Single to word write time	$t_{WRT2}$	DI and CL pins (1 word = 8 bits)	1.6	–	$\mu\text{s}$
Single to word read time	$t_{READ2}$	DI and CL pins (1 word = 8 bits)	1.6	–	$\mu\text{s}$
Data output propagation time	$t_{PLH1}$	Serial data output high propagation time	–	150	ns
	$t_{PHL2}$	Serial data output low propagation time	–	55	ns

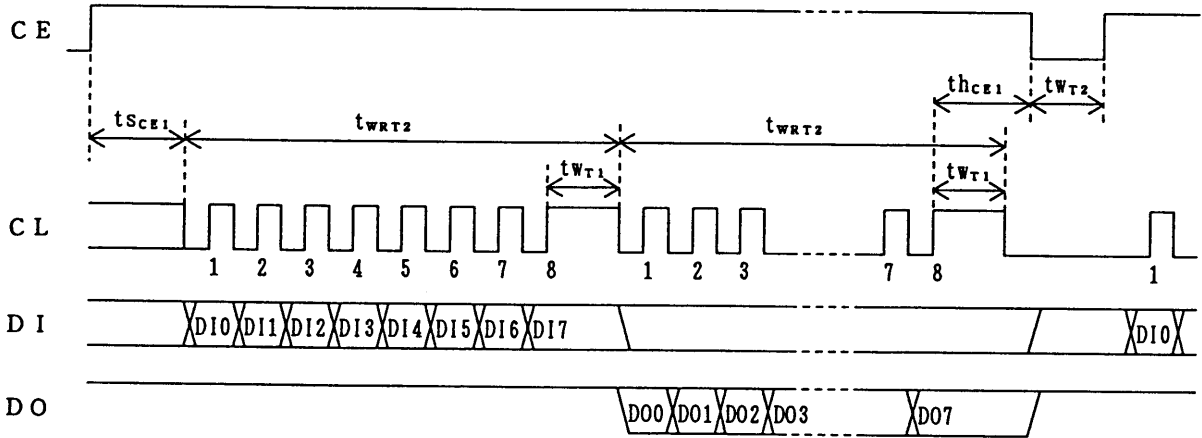
Note: The DO output pin uses N-channel open-drain output. The standard values for  $t_{PLH2}$  and  $t_{PHL2}$  are for an output load capacitance of 50 pF, an external pull-up resistor of 2.7 k $\Omega$ , and an output level of 5 V

## LC74201E

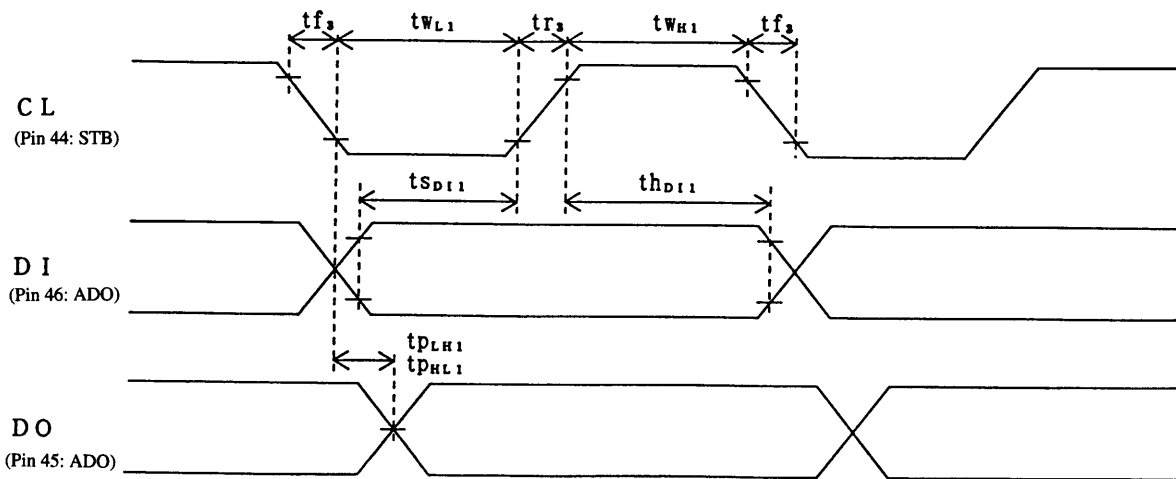
• Serial data write timing



• Serial data read timing



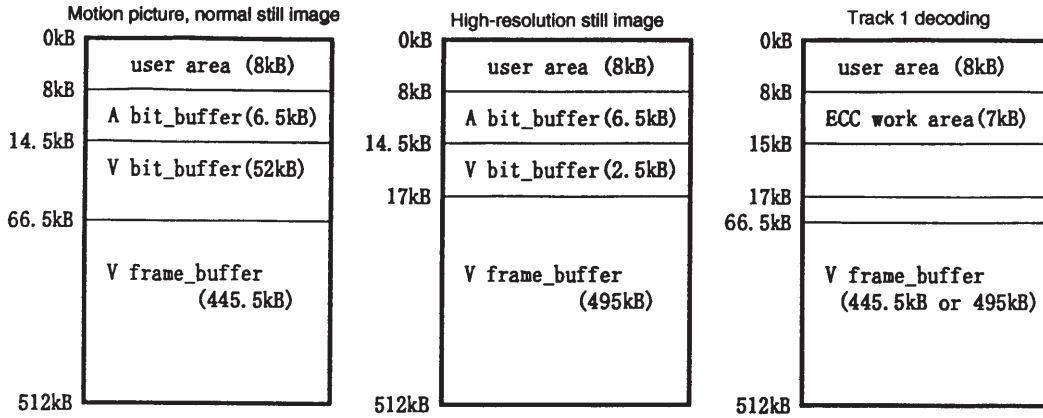
Note: Data input is invalid during data output.



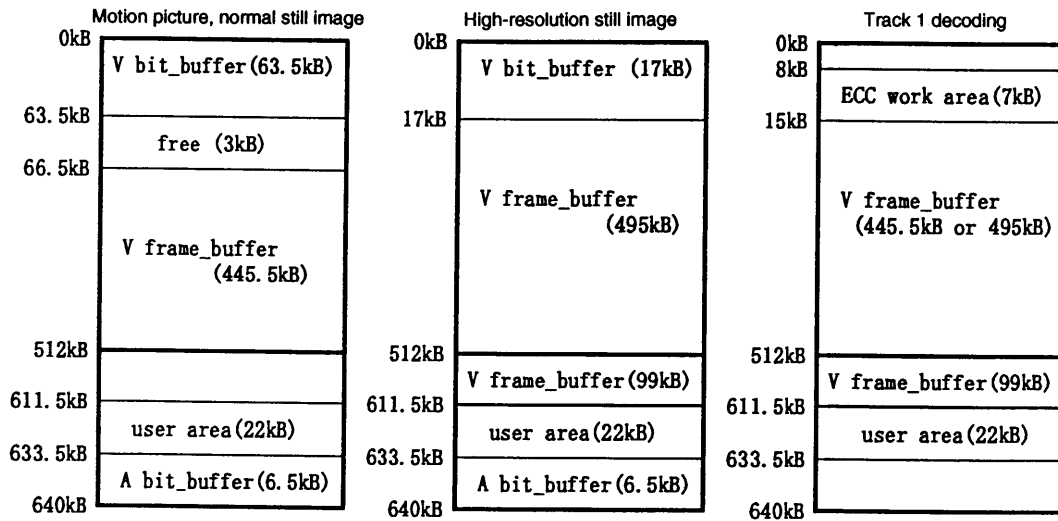
## LC74201E

### External DRAM Mappings

4 M bit configuration



4 M + 1 M bit configuration



### Functions Available with the Two External DRAM Capacities

Item	4 M bits	4 M + 1 M bits
PAL high to resolution still image	Top and bottom 48 lines of image suppressed	Full image display
High to resolution still image switching	Display blanked	Image overwritten from top of display
Video bit buffer capacity	52 kB	63.5 kB
User area capacity	8 kB (4 sectors)	22 kB (11 sectors)

- No products described or contained herein are intended for use in surgical implants, life-support systems, aerospace equipment, nuclear power control systems, vehicles, disaster/crime-prevention equipment and the like, the failure of which may directly or indirectly cause injury, death or property loss.
- Anyone purchasing any products described or contained herein for an above-mentioned use shall:
  - ① Accept full responsibility and indemnify and defend SANYO ELECTRIC CO., LTD., its affiliates, subsidiaries and distributors and all their officers and employees, jointly and severally, against any and all claims and litigation and all damages, cost and expenses associated with such use:
  - ② Not impose any responsibility for any fault or negligence which may be cited in any such claim or litigation on SANYO ELECTRIC CO., LTD., its affiliates, subsidiaries and distributors or any of their officers and employees jointly or severally.
- Information (including circuit diagrams and circuit parameters) herein is for example only; it is not guaranteed for volume production. SANYO believes information herein is accurate and reliable, but no guarantees are made or implied regarding its use or any infringements of intellectual property rights or other rights of third parties.

This catalog provides information as of February, 1997. Specifications and information herein are subject to change without notice.