

Ordering number: EN※2120B

SANYO	No. ※ 2120B	CMOS LSI
		LC7462M
Infrared Remote Control Transmitter IC		

Preliminary

Functions

- 32 ⊕ 3 function keys
- 8-bit custom codes
- Operating supply voltage range $V_{DD} = 1.8$ to 3.6 V
- Supply current at the standby mode $I_{DD} = 1$ μ A or less
- Double-pressable operation keys (no priority given)
- Oscillator built in (ceramic resonator: connected externally)

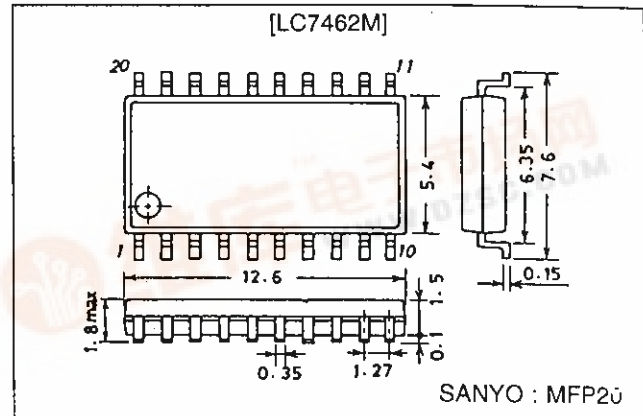
Features

- Two selections of custom code (8 bits)
(SEL pin-selectable ... option)
- Since the custom code is set internally, no external diode is required.
- Since double-press operation provides no priority, the number of external parts can be reduced.

Package Dimensions

unit : mm

3036B-MFP20



Specifications

Absolute Maximum Ratings at $T_a = 25^\circ\text{C}$

Parameter	Symbol	Conditions	Ratings	Unit
Maximum supply voltage	$V_{DD\ max}$	V_{DD}	$V_{SS}-0.3$ to $+5.5$	V
Input voltage	V_{IN}	Each input pin	$V_{SS}-0.3$ to $V_{DD}+0.3$	V
Output voltage	V_{OUT}	Each output pin	$V_{SS}-0.3$ to $V_{DD}+0.3$	V
Output current	I_{OUT}	OUT	-35	mA
Allowable power dissipation	$P_d\ max$	$T_a \leq 85^\circ\text{C}$	150	mW
Operating temperature	T_{opr}		-40 to +85	$^\circ\text{C}$
Storage temperature	T_{stg}		-50 to +125	$^\circ\text{C}$

Allowable Operating Conditions at $T_a = 25^\circ\text{C}$

Parameter	Symbol	Conditions	min	typ	max	Unit
Supply voltage	V_{DD}	$V_{DD} = f_{osc} = 455$ kHz	1.8	3.0	3.6	V
Input high-level voltage	V_{IH}	K_10 to K_13 , SEL	$0.7V_{DD}$		V_{DD}	V
Input low-level voltage	V_{IL}	K_10 to K_13 , SEL	V_{SS}		$0.3V_{DD}$	V
Oscillation frequency	f_{osc}		400	455	500	kHz

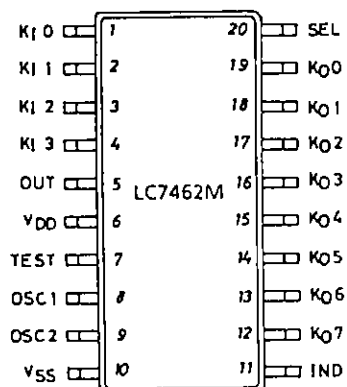


LC7462M

Electrical Characteristics at Ta = 25°C, V_{DD} = 3.0 V

Parameter	Symbol	Conditions	min	typ	max	Unit
Operating supply current	I _{DD}	V _{DD} = Key ON, output: no load			1	mA
Quiescent supply current	I _{DS}	V _{DD} = All keys OFF, OSC stop			1	μA
Output high-level current	I _{OH1}	OUT = V _{DD} = 1.8 V, V _{OH} = 1.0 V		-8		mA
	I _{OH2}	OUT = V _{DD} = 3.0 V, V _{OH} = 1.0 V		-25		mA
Display output current	I _{OL1}	IND = V _{DD} = 1.8 V, V _{OH} = 1.0 V		2		mA
	I _{OL2}	IND = V _{DD} = 3.0 V, V _{OH} = 1.0 V		5		mA
Output high-level voltage	V _{OH}	K ₀ 0 to K ₀ 7 = I _{OH} = -0.1 mA			0.3	V
Output low-level voltage	V _{OL}	OUT = I _{OL} = 0.1 mA			0.3	V
Output OFF-state leakage current	I _{OFF}	K ₀ 0 to K ₀ 7, IND			1	μA
Input high-level current	I _{IH}	SEL = V _{IN} = V _{DD}			1	μA
Input low-level current	I _{IL}	SEL = V _{IN} = V _{SS}	-1			μA
Input floating voltage	V _{IF}	K ₀ 0 to K ₀ 3			0.1V _{DD}	V
Input pull-down resistance	R _{IN}	K ₀ 0 to K ₀ 3	75	100	125	kΩ

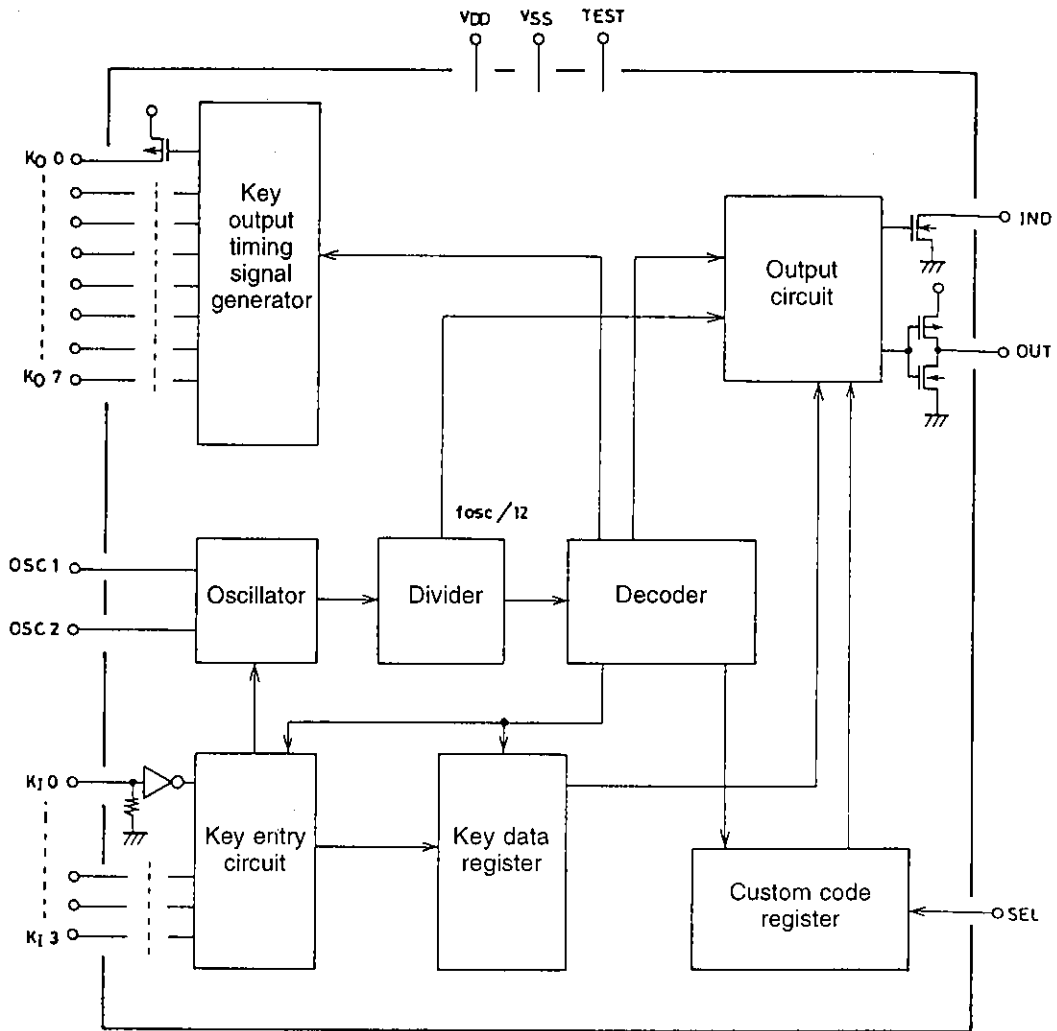
Pin Assignment



Top view

LC7462M

Block Diagram



LC7462M

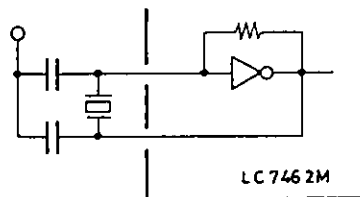
Pin Description

Pin Name	Pin No.	Input/Output	Equivalent Circuit	Pin Function
V _{DD} , V _{SS}	6, 10			Power supply pins: V _{SS} = GND
K _i 0 to K _i 3	1 to 4	Input		Key return signal entry pins
OUT	5	Output		Output pin for transmit LED drive
TEST	7	Input		LSI test pin Normally set to high-level or brought to open state
OSC1 OSC2	8 9	Input/output		Input/output pins for ceramic resonator-used oscillation
IND	11	Output		Output pin for transmit indicator LED drive
K _O 0 to K _O 7	12 to 19	Output		Key scan timing signal output pins
SEL	20	Input		Either of the two shown below may be selected by option. (1) SW position 1 ON Two selections of custom code by SEL "H" or "L" (2) SW position 2 ON SEL pin: NC (No Connection)

General Description of Function

1. Oscillator

Since a self-bias type amplifier of CMOS inverter is contained, an oscillator can be formed by connecting a ceramic resonator.

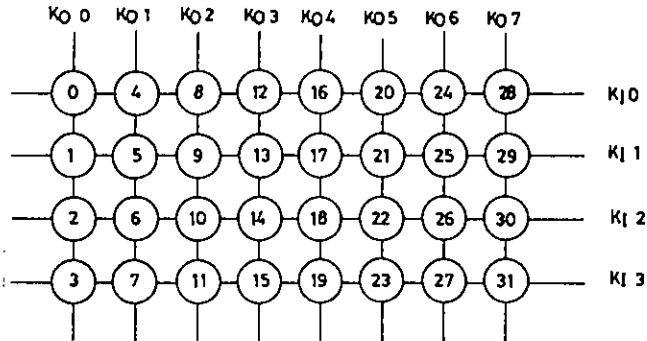


To minimize power dissipation, the oscillator stops oscillating except when key operation is performed.

LC7462M

2. Key entry

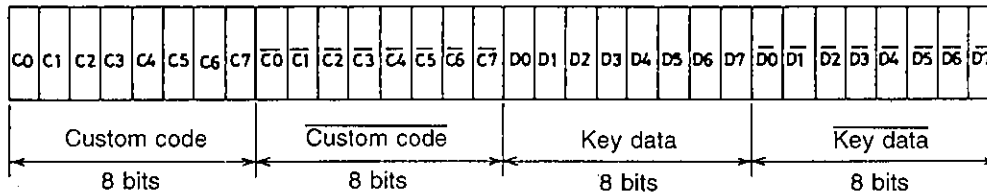
Key entry pins K_10 to K_13 and timing signal output pins K_00 to K_07 provide a key matrix of $4 \times 8 = 32$.



Multi-press of key No. 20 and one of key Nos. 21, 22, 23 may be done, with no priority given in key entry. When the two keys are kept pressed, a series of pulses will be output according to each key entry. If multi-press of keys which are not allowed multi-press is done, no output will be delivered.

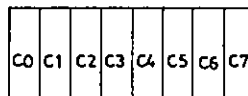
3. Data organization

Data consists of 32 bits in all: 8 bits of custom code, 8 bits of key data, and their inverted codes.



(a) Custom code

The custom code, which consists of 8 bits (C_0 to C_7) in all, is used to distinguish between receiving sets.



C_0 to C_7 are fixed by the internal mask ROM (impossible to fix externally). Two selections of custom code may be made externally by option (SEL pin-selectable).

Custom code option

	Option 1	Option 2
Custom code to be set internally	2 kinds	1 kind
Function of SEL pin	Two selections of custom code by SEL "H" or "L"	NC (No Connection)

LC7462M

(b) Key data

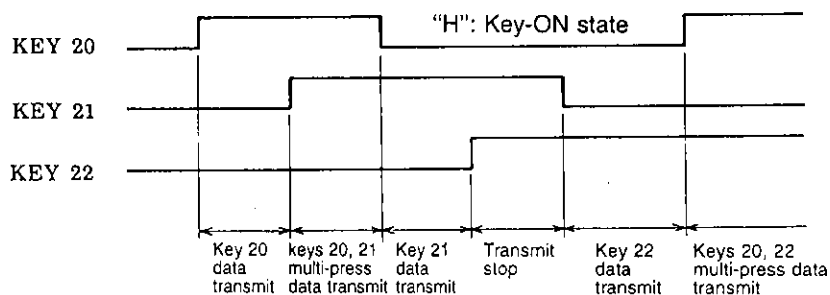
KEY No.	D ₀	D ₁	D ₂	D ₃	D ₄	D ₅	D ₆	D ₇
0	0	0	0	0	0	0	0	0
1	1	0	0	0	0	0	0	0
2	0	1	0	0	0	0	0	0
3	1	1	0	0	0	0	0	0
4	0	0	1	0	0	0	0	0
5	1	0	1	0	0	0	0	0
⋮	⋮	⋮	⋮	⋮	⋮	⋮	⋮	⋮
28	0	0	1	1	1	0	0	0
29	1	0	1	1	1	0	0	0
30	0	1	1	1	1	0	0	0
31	1	1	1	1	1	0	0	0

Multi-press

KEY No.	D ₀	D ₁	D ₂	D ₃	D ₄	D ₅	D ₆	D ₇
20, 21	1	0	1	0	1	1	0	0
20, 22	0	1	1	0	1	1	0	0
20, 23	1	1	1	0	1	1	0	0

• D₆, D₇ may be preset to "0", "1" beforehand (mask option).

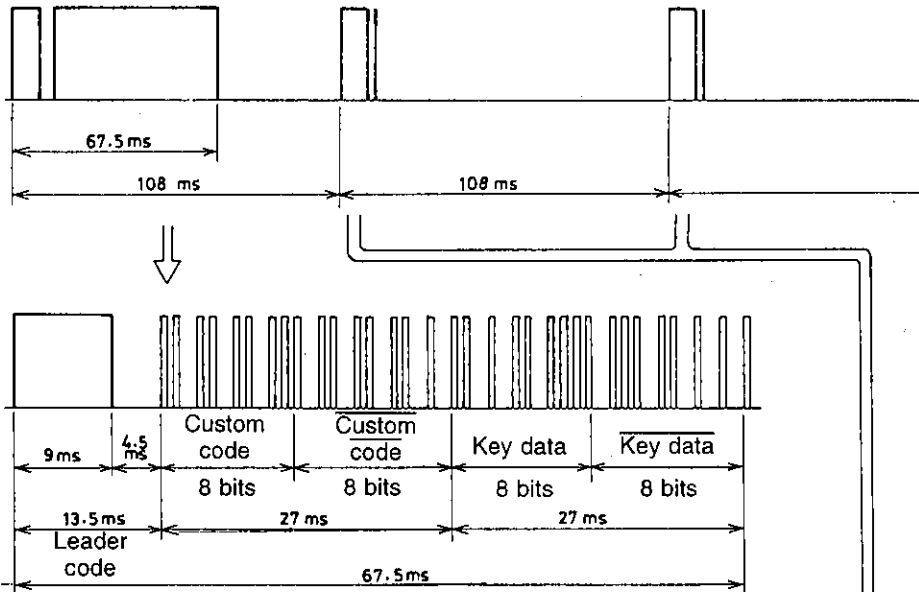
When multi-press of key No. 20 and one of key Nos. 21, 22, 23 is done, multi-bit D₅ will be set to "1", with no priority given in key entry.



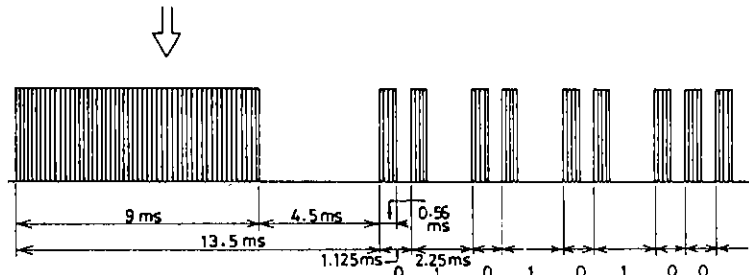
LC7462M

4. Transmit waveforms

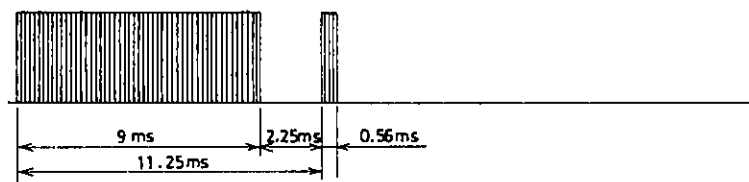
The period of time shown below is for $f_{OSC} = 455 \text{ kHz}$.



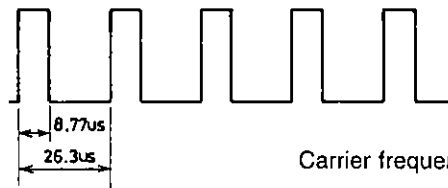
• First time



• Second time onward (Transmission is available only when key entry continues.)



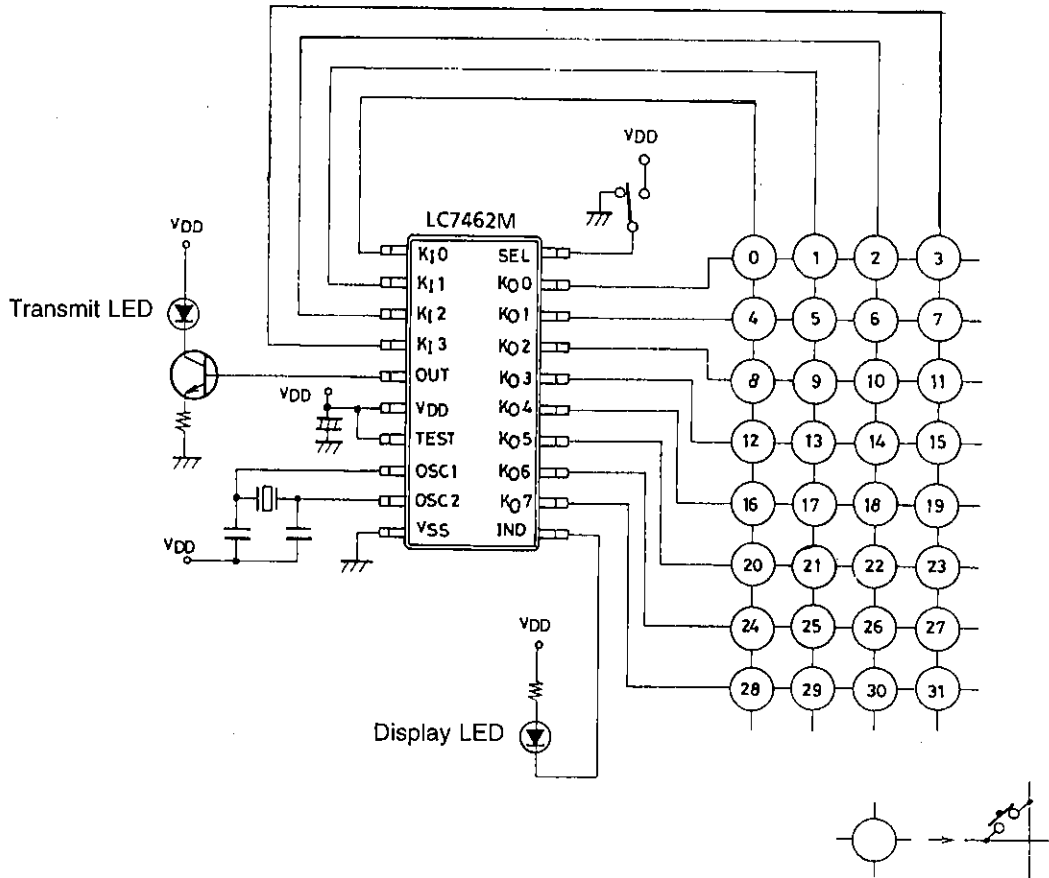
• Carrier waveform



Carrier frequency = $1/12 f_{OSC} \approx 38 \text{ kHz}$

LC7462M

Sample Application Circuit



- No products described or contained herein are intended for use in surgical implants, life-support systems, aerospace equipment, nuclear power control systems, vehicles, disaster/crime-prevention equipment and the like, the failure of which may directly or indirectly cause injury, death or property loss.
- Anyone purchasing any products described or contained herein for an above-mentioned use shall:
 - ① Accept full responsibility and indemnify and defend SANYO ELECTRIC CO., LTD., its affiliates, subsidiaries and distributors and all their officers and employees, jointly and severally, against any and all claims and litigation and all damages, cost and expenses associated with such use:
 - ② Not impose any responsibility for any fault or negligence which may be cited in any such claim or litigation on SANYO ELECTRIC CO., LTD., its affiliates, subsidiaries and distributors or any of their officers and employees jointly or severally.
- Information (including circuit diagrams and circuit parameters) herein is for example only; it is not guaranteed for volume production. SANYO believes information herein is accurate and reliable, but no guarantees are made or implied regarding its use or any infringements of intellectual property rights or other rights of third parties.