

Ceramic

# Low Pass Filter

**NEW!**

## LFCN-2250

DC to 2250 MHz



**BLUE CELL™**

CASE STYLE: FV1206

### Maximum Ratings

Operating Temperature	-55°C to 100°C
Storage Temperature	-55°C to 100°C
RF Power Input*	10W max. at 25°C
DC Current Input to Output	0.5A max. at 25°C

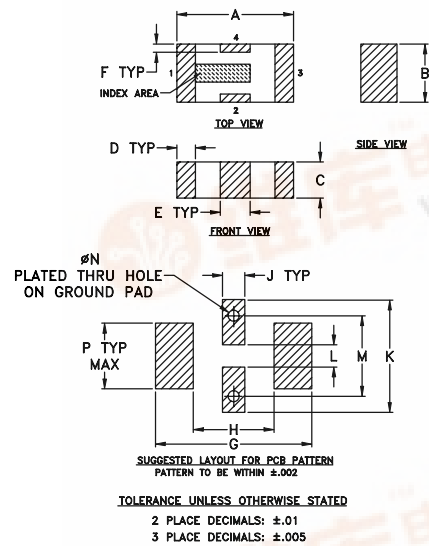
\*Passband rating, derate linearly to 3.5W at 100°C ambient.

### Pin Connections

RF IN	1**
RF OUT	3**
GROUND	2,4

\*\*RF IN & RF OUT can be interchanged

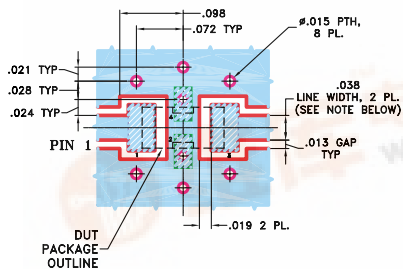
### Outline Drawing



### Outline Dimensions (inch/mm)

A	B	C	D	E	F	G	H
.126	.063	.039	.020	.032	.009	.169	.087
3.20	1.60	0.99	0.51	0.81	0.23	4.29	2.21
J	K	L	M	N	P	wt.	
.024	.122	.024	.087	.012	.071	grams	
0.61	3.10	0.61	2.21	0.30	1.80	.020	

**Demo Board MCL P/N: TB-270**  
**Suggested PCB Layout (PL-137)**



**NOTE:**  
1. TRACE WIDTH IS SHOWN FOR ROGERS RO4350 WITH DIELECTRIC THICKNESS .020" ± .0015". COPPER: 1/2 OZ. EACH SIDE. FOR OTHER MATERIALS TRACE WIDTH MAY NEED TO BE MODIFIED.  
2. BOTTOM SIDE OF THE PCB IS CONTINUOUS GROUND PLANE.

○ DENOTES PCB COPPER LAYOUT

○ DENOTES COPPER LAND PATTERN FREE OF SOLDERMASK

### Features

- excellent power handling, 10W
- small size
- 7 sections
- temperature stable
- patent pending

### Applications

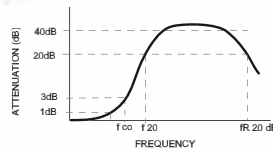
- harmonic rejection
- VHF/UHF transmitters/receivers
- lab use

### Low Pass Filter Electrical Specifications<sup>1</sup> (T<sub>AMB</sub>=25°C)

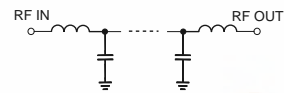
MODEL NO.	PASSBAND (MHz) (loss < 1 dB) Max.	f <sub>co</sub> , MHz Nom. (loss 3 dB) Typ.	STOP BAND (MHz) (loss, dB)			VSWR (:1)		NO. OF SECTIONS
			f 20 Min.	30 Typ.	fr 20 Typ.	Stopband Typ.	Passband Typ.	
LFCN-2250	DC-2250	2575	2850	2950-5000	7200	20	1.2	7

1. For Applications requiring DC voltage to be applied to the Input or output, use LFCN-2250D (DC Resistance to ground is 100 Mohms min.)

### typical frequency response

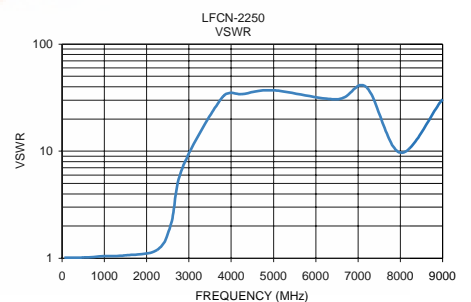
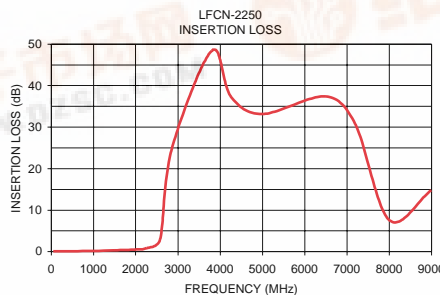


### schematic



### Typical Performance Data at 25°C

Frequency (MHz)	Insertion Loss (dB)	VSWR (:1)
50.00	0.06	1.01
500.00	0.11	1.02
1000.00	0.15	1.05
1500.00	0.33	1.07
2000.00	0.51	1.06
2250.00	0.82	1.20
2575.00	2.84	2.10
2850.00	24.55	7.08
3800.00	48.40	32.18
4250.00	37.39	34.07
5000.00	33.16	36.97
6500.00	37.38	30.49
7200.00	30.64	39.49
8000.00	7.60	9.69
9000.00	14.79	30.49



designers kit available

Kit No.	No. of Units in Kit	Description	Price \$ per Kit
K2-LFCN	60	5 of each: LFCN-800,-900,-1000,-1200,-1325,-1700,-2000,-2250,-2400,-5000,-6000,-6700	119.95

INTERNET <http://www.minicircuits.com>

P.O. Box 350166, Brooklyn, New York 11235-0003 (718) 934-4500 Fax (718) 332-4661

REV. C  
M99263  
LFCN-2250



**Mini-Circuits®**