

# Ceramic Low Pass Filter

查询LFCN-2500供应商

捷多邦, 专业PCB打样工厂, 24小时加急出货

**NEW!**

**LFCN-2500**

DC to 2500 MHz

## Maximum Ratings

Operating Temperature	-55°C to 100°C
Storage Temperature	-55°C to 100°C
RF Power Input*	10W max. at 25°C
DC Current Input to Output	0.5A max. at 25°C

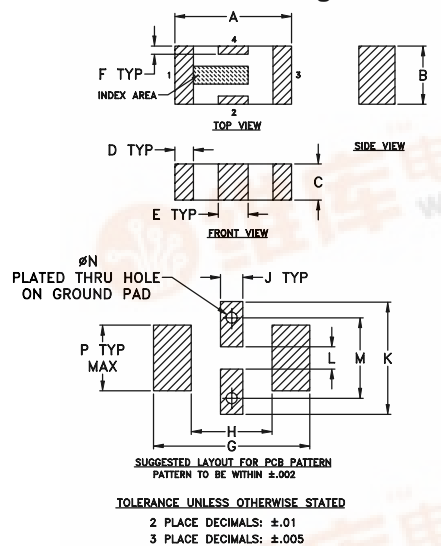
\*Passband rating, derate linearly to 3.5W at 100°C ambient.

## Pin Connections

RF IN	1**
RF OUT	3**
GROUND	2,4

\*\*RF IN & RF OUT can be interchanged

## Outline Drawing



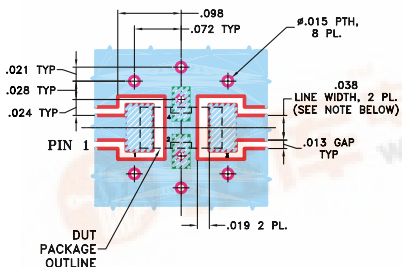
## Outline Dimensions (inch/mm)

A	B	C	D	E	F	G
.126	.063	.037	.020	.032	.009	.169
3.20	1.60	0.94	0.51	0.81	0.23	4.29

H	J	K	L	M	N	P	wt
.087	.024	.122	.024	.087	.012	.071	grams
2.21	0.61	3.10	0.61	2.21	0.30	1.80	.020

**Demo Board MCL P/N: TB-270**  
**Suggested PCB Layout (PL-137)**



## Features

- excellent power handling, 10W
- small size
- 7 sections
- temperature stable
- patent pending

## Applications

- harmonic rejection
- VHF/UHF transmitters/receivers
- lab use



**BLUE CELL™**

CASE STYLE: FV1206

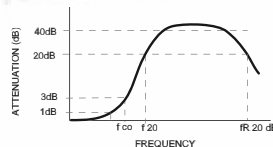
Model	Price	Qty.
LFCN-2500	\$1.99	(10-49)
LFCN-2500D	\$2.49	(10-49)

## Low Pass Filter Electrical Specifications<sup>1</sup> (T<sub>AMB</sub>=25°C)

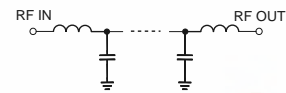
MODEL NO.	PASSBAND (MHz) (loss < 1 dB) Max.	f <sub>co</sub> , MHz Nom. (loss 3 dB) Typ.	STOP BAND (MHz) (loss, dB)			VSWR (:1)		NO. OF SECTIONS
			f 20 Min.	30 Typ.	fr 20 Typ.	Stopband Typ.	Passband Typ.	
LFCN-2500	DC-2500	3075	3675	3800-6100	8000	20	1.2	7

1. For Applications requiring DC voltage to be applied to the Input or output, use LFCN-2500D (DC Resistance to ground is 100 Mohms min.)

## typical frequency response

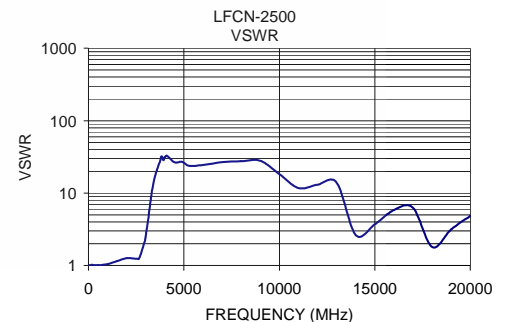
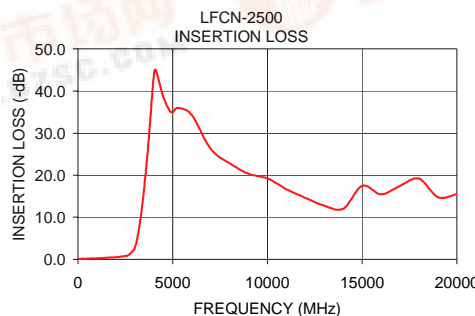


## schematic



## Typical Performance Data at 25°C

Frequency (MHz)	Insertion Loss (dB)	VSWR (:1)
50	0.05	1.02
2000	0.50	1.26
2530	0.80	1.24
3000	2.72	2.58
3660	24.30	23.81
3760	29.63	28.03
4000	43.19	31.03
5000	34.98	26.33
6000	34.38	24.48
7000	26.29	26.74
8000	22.85	27.59
10000	19.22	18.30
12000	14.60	13.09
15000	17.48	3.73
20000	15.48	4.84



NOTE: 1. TRACE WIDTH IS SHOWN FOR ROGERS RO4350 WITH DIELECTRIC THICKNESS .020" ± .0015". COPPER: 1/2 OZ. EACH SIDE. FOR OTHER MATERIALS TRACE WIDTH MAY NEED TO BE MODIFIED.  
2. BOTTOM SIDE OF THE PCB IS CONTINUOUS GROUND PLANE.

