

Ceramic

# Low Pass Filter

**NEW!**

## LFCN-530

DC to 530 MHz



**BLUE CELL™**

CASE STYLE: FV1206

### Maximum Ratings

Operating Temperature	-55°C to 100°C
Storage Temperature	-55°C to 100°C
RF Power Input*	8.5W max. at 25°C
DC Current Input to Output	0.5A max. at 25°C

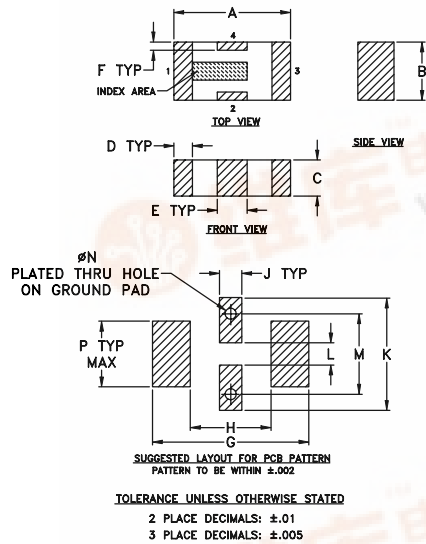
\*Passband rating, derate linearly to 3.5W at 100°C ambient.

### Pin Connections

RF IN	1**
RF OUT	3**
GROUND	2,4

\*\*RF IN & RF OUT can be interchanged

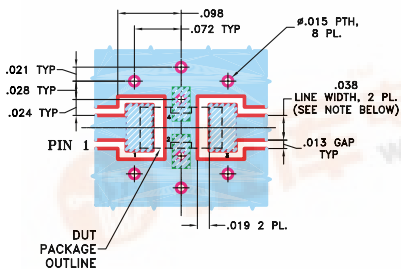
### Outline Drawing



### Outline Dimensions (inch/mm)

A	B	C	D	E	F	G	H
.126	.063	.039	.020	.032	.009	.169	.087
3.20	1.60	0.99	0.51	0.81	0.23	4.29	2.21
J	K	L	M	N	P	wt.	
.024	.122	.024	.087	.012	.071	grams	
0.61	3.10	0.61	2.21	0.30	1.80	.020	

**Demo Board MCL P/N: TB-270**  
**Suggested PCB Layout (PL-137)**



### Features

- excellent power handling, 8.5W
- small size
- 7 sections
- temperature stable
- patent pending

### Applications

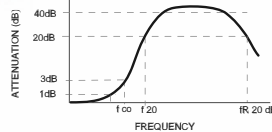
- harmonic rejection
- VHF/UHF transmitters/receivers
- RF suppression for DC lines on PCB
- anti-aliasing for A/D converter

### Low Pass Filter Electrical Specifications<sup>1</sup> (T<sub>AMB</sub>=25°C)

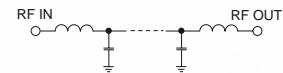
MODEL NO.	PASSBAND (MHz) (loss < 1 dB) Max.	f <sub>co</sub> , MHz Nom. (loss 3 dB) Typ.	STOP BAND (MHz) (loss, dB)			VSWR (:1)		NO. OF SECTIONS
			f 20 Min.	40 Typ.	fr 20 Typ.	Stopband Typ.	Passband Typ.	
LFCN-530	DC-530	700	820	945-3000	6000	20	1.2	7

1. For Applications requiring DC voltage to be applied to the Input or output, use LFCN-530D (DC Resistance to ground is 100 Mohms min.)

### typical frequency response

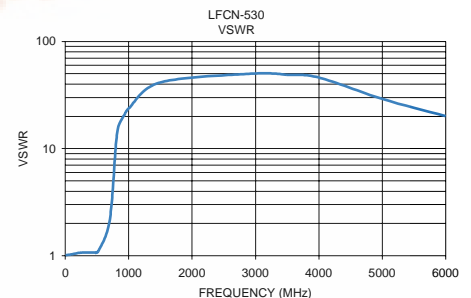
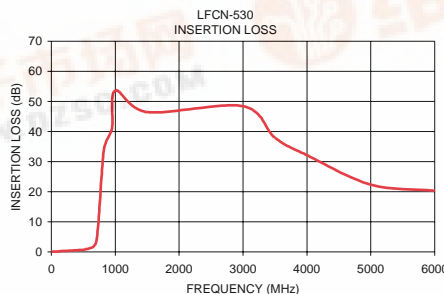


### schematic



### Typical Performance Data at 25°C

Frequency (MHz)	Insertion Loss (dB)	VSWR (:1)
1.00	0.05	1.01
100.00	0.21	1.03
250.00	0.38	1.07
450.00	0.68	1.07
520.00	0.85	1.10
700.00	3.26	2.12
820.00	33.77	14.43
947.00	40.82	21.35
1000.00	53.65	23.68
1500.00	46.49	41.44
3000.00	48.44	50.25
3500.00	37.92	48.87
4000.00	32.18	46.00
5000.00	22.39	29.09
6000.00	20.37	20.08



designers kit available

Kit No.	No. of Units in Kit	Description	Price \$ per Kit
K1-LFCN	35	5 of each: LFCN-225, -320, -400, -490, -530, -575, -630	99.95

