

Ceramic

Low Pass Filter

NEW!

LFCN-575

DC to 575 MHz



BLUE CELL™

CASE STYLE: FV1206

Maximum Ratings

Operating Temperature	-55°C to 100°C
Storage Temperature	-55°C to 100°C
RF Power Input*	8.5W max. at 25°C
DC Current Input to Output	0.5A max. at 25°C

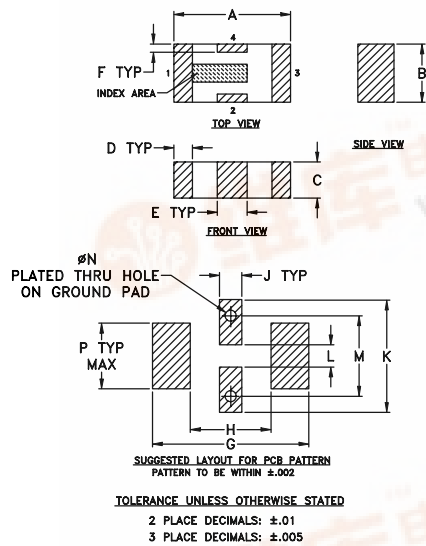
*Passband rating, derate linearly to 3.5W at 100°C ambient.

Pin Connections

RF IN	1**
RF OUT	3**
GROUND	2,4

**RF IN & RF OUT can be interchanged

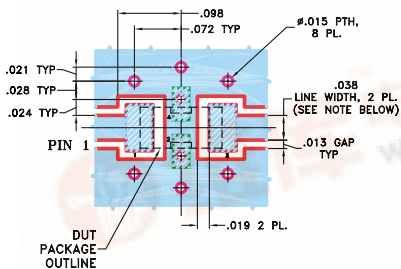
Outline Drawing



Outline Dimensions (inch/mm)

A	B	C	D	E	F	G	H
.126	.063	.039	.020	.032	.009	.169	.087
3.20	1.60	0.99	0.51	0.81	0.23	4.29	2.21
J	K	L	M	N	P	wt.	
.024	.122	.024	.087	.012	.071	grams	
0.61	3.10	0.61	2.21	0.30	1.80	.020	

Demo Board MCL P/N: TB-270
Suggested PCB Layout (PL-137)



Features

- excellent power handling, 8.5W
- small size
- 7 sections
- temperature stable
- patent pending

Applications

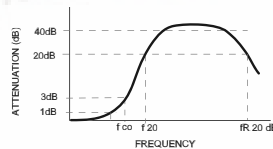
- harmonic rejection
- VHF/UHF transmitters/receivers
- RF suppression for DC lines on PCB
- anti-aliasing for A/D converter

Low Pass Filter Electrical Specifications¹ (T_{AMB}=25°C)

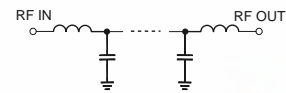
MODEL NO.	PASSBAND (MHz) (loss < 1 dB) Max.	f _{co} , MHz Nom. (loss 3 dB) Typ.	STOP BAND (MHz) (loss, dB)			VSWR (:1)		NO. OF SECTIONS
			f 20 Min.	40 Typ.	fr 20 Typ.	Stopband Typ.	Passband Typ.	
LFCN-575	DC-575	770	900	1050-3200	5500	20	1.2	7

1. For Applications requiring DC voltage to be applied to the Input or output, use LFCN-575D (DC Resistance to ground is 100 Mohms min.)

typical frequency response

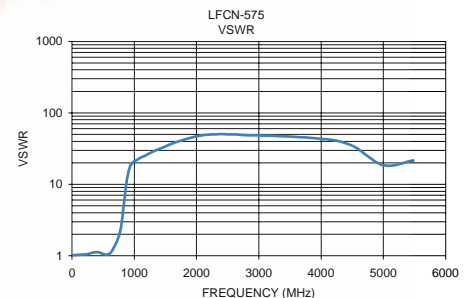
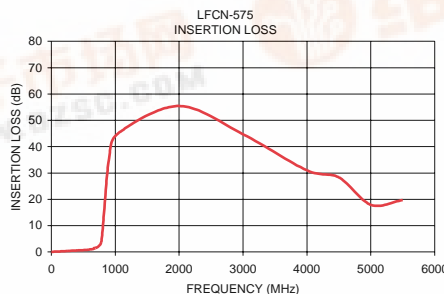


schematic



Typical Performance Data at 25°C

Frequency (MHz)	Insertion Loss (dB)	VSWR (:1)
1.00	0.05	1.01
100.00	0.20	1.03
250.00	0.36	1.05
400.00	0.55	1.13
575.00	0.87	1.03
680.00	1.43	1.35
780.00	3.68	2.37
900.00	35.11	14.03
1050.00	45.10	22.29
2000.00	55.44	46.96
3000.00	44.69	48.26
4000.00	30.99	43.44
4500.00	28.33	34.75
5000.00	17.93	18.50
5500.00	19.72	21.73



designers kit available

Kit No.	No. of Units in Kit	Description	Price \$ per Kit
K1-LFCN	35	5 of each: LFCN-225, -320, -400, -490, -530, -575, -630	99.95

