



February 1995

LH1605/LH1605C 5 Amp, High Efficiency Switching Regulator

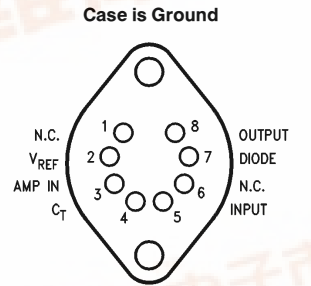
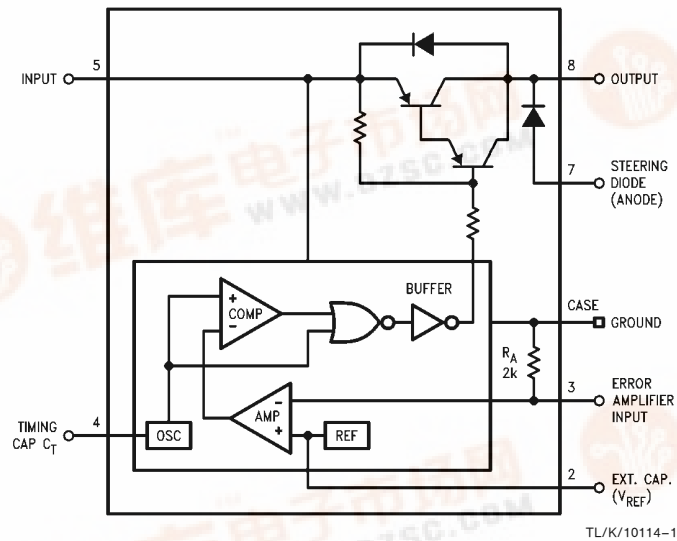
General Description

The LH1605 is a hybrid switching regulator with high output current capabilities. It incorporates a temperature-compensated voltage reference, a duty cycle modulator with the oscillator frequency programmable, error amplifier, high current-high voltage output switch, and a power diode. The LH1605 can supply up to 5A of output current over a wide range of regulated output voltage.

Features

- Step down switching regulator
- Output adjustable from 3.0V to 30V
- 5A output current
- High efficiency
- Frequency adjustable to 100 kHz
- Standard 8-pin TO-3 package

Block and Connection Diagrams



Top View

Order Number LH1605K or
LH1605CK
See NS Package Number K08A

LH1605/LH1605C 5 Amp, High Efficiency Switching Regulator



Absolute Maximum Ratings

If Military/Aerospace specified devices are required, please contact the National Semiconductor Sales Office/Distributors for availability and specifications.

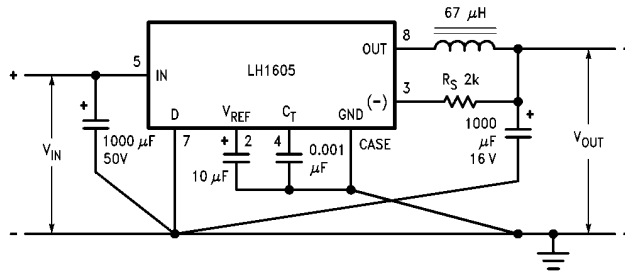
Input Voltage (V_{IN})	35V max	Storage Temperature Range (T_{STG})	-65°C to +150°C
Output Current (I_O)	6A	Duty Cycle (D.C.)	20% to 80%
Operating Temperature (T_J)	150°C	Steering Diode Reverse Voltage (V_R) (V_{8-7})	60V
Internal Power Dissipation (P_D) (Note 1)	20W	Steering Diode Forward Current (I_D) (I_{7-8})	6A
Operating Temperature (T_A)			
LH1605C	-25°C to +85°C		
LH1605	-55°C to +125°C		

Electrical Characteristics $T_C = 25^\circ\text{C}$, $V_{IN} = 15\text{V}$, $V_{OUT} = 10\text{V}$ unless otherwise specified

Symbol	Characteristics	Conditions	LH1605			LH1605C			Units
			Min	Typ	Max	Min	Typ	Max	
V_{OUT}	Output Voltage Range	$V_{IN} \geq V_O + 5V$ $I_O = 2A$ (Note 2)	3.0		30	3.0		30	
V_S	Switch Saturation Voltage	$I_C = 5.0A$ $I_C = 2.0A$		1.6 1.0	2.0 1.2		1.6 1.0	2.0 1.2	V
V_F	Steering Diode On Voltage	$I_D = 5.0A$ $I_D = 2.0A$		1.2 1.0	2.8 2.0		1.2 1.0	2.8 2.0	
V_{IN}	Supply Voltage Range		10		35	10		35	
I_R	Steering Diode Reverse Current	$V_R = 25V$		0.1	5.0		0.1	5.0	μA
I_Q	Quiescent Current	$I_{OUT} = 0.2A$		20			20		mA
V_2	Voltage on Pin 2			2.5			2.5		V
$\Delta V_2/\Delta T$	V_2 Temperature Coeff.			100			100		ppm/ $^\circ\text{C}$
V_4	Voltage Swing—Pin 4			3.0			3.0		V
I_4	Charging Current—Pin 4			70			70		μA
R_A	Resistance Pin 3 to GND			2.0			2.0		k Ω
$\Delta R_A/\Delta T$	Resistance Temp. Coeff.			75			75		ppm/ $^\circ\text{C}$
t_r	Voltage Rise Time	$I_{OUT} = 2.0A$ $I_{OUT} = 5.0A$		350 500			350 500		ns
t_f	Voltage Fall Time	$I_{OUT} = 2.0A$ $I_{OUT} = 5.0A$		300 400			300 400		
t_s	Storage Time	$I_{OUT} = 5.0A$		1.5			1.5		μs
t_d	Delay Time			100			100		ns
P_D	Power Dissipation	$V_{OUT} = 10V$		16			16		W
η	Efficiency	$I_{OUT} = 5.0A$		75			75		%
θ_{JC}	Thermal Resistance (Note 1)			5.0			5.0		$^\circ\text{C}/W$

Note 1: θ_{JA} is typically 30 $^\circ\text{C}/W$ for natural convection cooling.

Note 2: V_{OUT} refers to the output voltage range of switching supply after the output LC filter as shown in the Typical Application circuit.



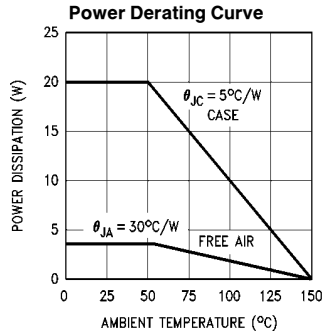
TL/K/10114-3

Minimum $V_{IN} - V_{OUT} = 5V$ for Proper Operation

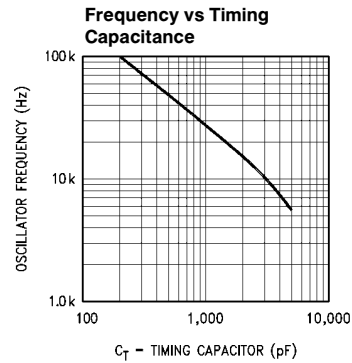
$$R_S = \frac{2 \times 10^3 (V_{OUT} - 2.5)}{2.5}$$

$V_{IN} = 10 - 18V$
 $V_{OUT} = 5V$
 $I_{OUT} = 3A$ (Max)
 $I_{OUT} = 1A$ (Min)
 $\eta \approx 70\%$

Load Reg. = 50 mV
 Line Reg. = 10 mV
 Ripple = 20 mV



TL/K/10114-4



TL/K/10114-5

Design Equations

$$\text{Efficiency } (\eta) = \frac{P_{OUT} \times 100}{P_{IN}}$$

$$\text{Transistor DC Losses } (P_T) = I_{OUT} \times V_S \left(\frac{t_{ON}}{t_{ON} + t_{OFF}} \right)$$

$$\text{Diode DC Losses } (P_D) = I_{OUT} \times V_F \left(\frac{t_{OFF}}{t_{ON} + t_{OFF}} \right)$$

$$\text{Drive Circuit Losses } (D_L) = \frac{V_{IN}^2}{300} \times \frac{t_{ON}}{t_{ON} + t_{OFF}}$$

$$\text{Switching Losses Transistor } (P_S) = V_{IN} \times I_{OUT} \times \frac{t_r + t_f}{2(t_{ON} + t_{OFF})}$$

$$\text{Transistor Duty Cycle} = \frac{t_{ON}}{t_{ON} + t_{OFF}} = \frac{V_{OUT}}{V_{IN}}$$

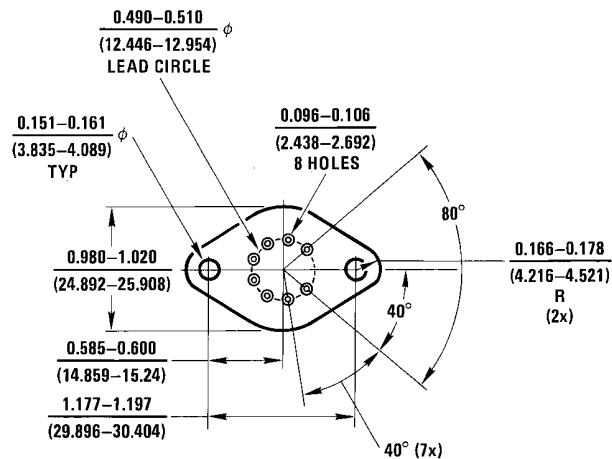
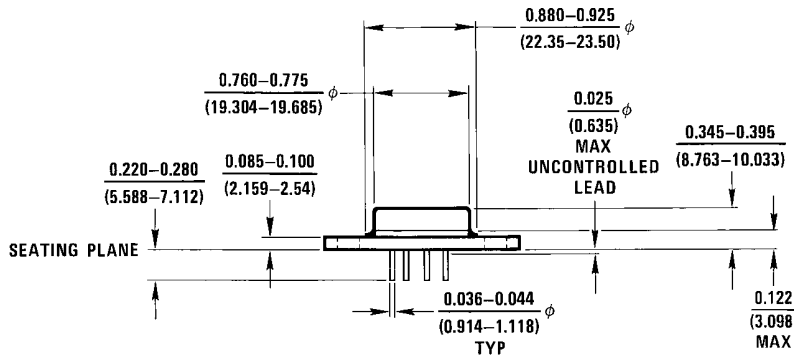
$$\text{Diode Duty Cycle} = \frac{t_{OFF}}{t_{ON} + t_{OFF}} = 1 - \frac{V_{OUT}}{V_{IN}}$$

$$\text{Power Inductor } (P_L) = I_{OUT}^2 \times R_L \text{ (Winding Resistance)}$$

$$\text{Efficiency } (\eta) = \frac{V_{OUT} I_{OUT}}{V_{OUT} I_{OUT} + P_T + P_D + D_L + P_S + P_L} \times 100\%$$

Physical Dimensions inches (millimeters)

Lit. # 106377



K08A (REV C)

**8-Lead TO-3 Metal Can Package (K)
NS Package Number K08A**

LIFE SUPPORT POLICY

NATIONAL'S PRODUCTS ARE NOT AUTHORIZED FOR USE AS CRITICAL COMPONENTS IN LIFE SUPPORT DEVICES OR SYSTEMS WITHOUT THE EXPRESS WRITTEN APPROVAL OF THE PRESIDENT OF NATIONAL SEMICONDUCTOR CORPORATION. As used herein:

1. Life support devices or systems are devices or systems which, (a) are intended for surgical implant into the body, or (b) support or sustain life, and whose failure to perform, when properly used in accordance with instructions for use provided in the labeling, can be reasonably expected to result in a significant injury to the user.
2. A critical component is any component of a life support device or system whose failure to perform can be reasonably expected to cause the failure of the life support device or system, or to affect its safety or effectiveness.



National Semiconductor Corporation
1111 West Bardin Road
Arlington, TX 76017
Tel: 1(800) 272-9959
Fax: 1(800) 737-7018

National Semiconductor Europe
Fax: (+49) 0-180-530 85 86
Email: cnjwge@tevm2.nsc.com
Deutsch Tel: (+49) 0-180-530 85 85
English Tel: (+49) 0-180-532 78 32
Français Tel: (+49) 0-180-532 93 58
Italiano Tel: (+49) 0-180-534 16 80

National Semiconductor Hong Kong Ltd.
13th Floor, Straight Block,
Ocean Centre, 5 Canton Rd.
Tsimshatsui, Kowloon
Hong Kong
Tel: (852) 2737-1600
Fax: (852) 2736-9960

National Semiconductor Japan Ltd.
Tel: 81-043-299-2309
Fax: 81-043-299-2408