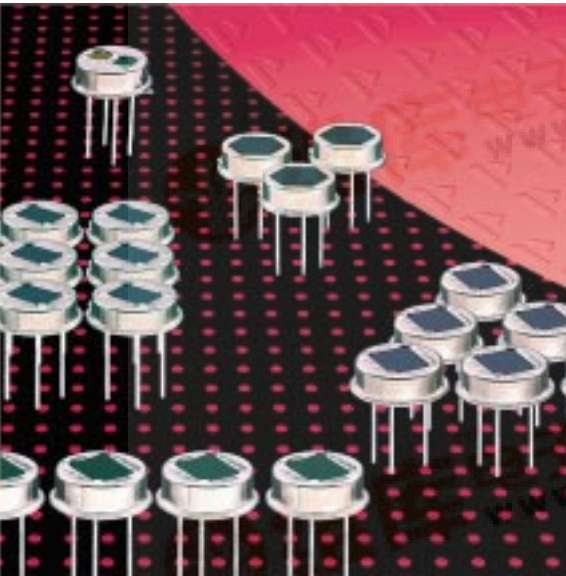


Pyroelectric Infrared Detectors

Twin Element Detector LHi 1448



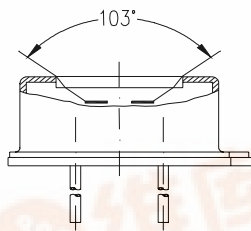
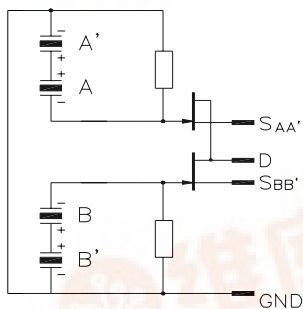
Four elements in two pairs

Two outputs, equal polarity

Designed for PIR alarms

The **LHi 1448** pyroelectric infrared detector is designed for high end PIR alarm applications. It includes a twin type pyro-electric ceramic with 4 sensitive elements connected to two FET source follower circuits. Thus it provides for dual channel output. Both channels are of the same polarity.

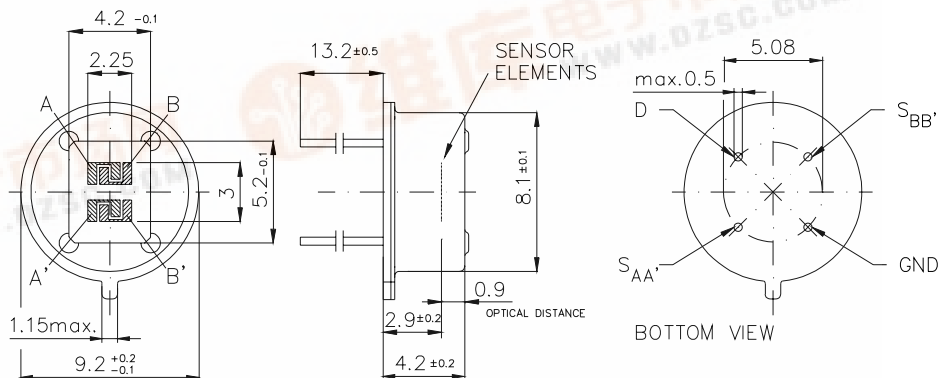
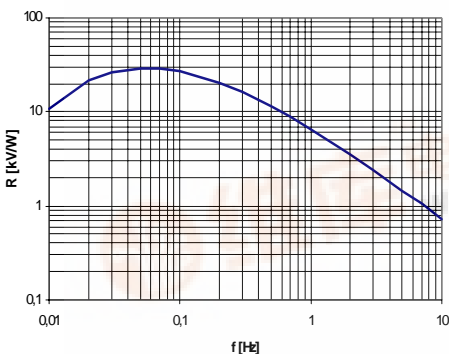
The LHi 1448 detector is available in TO-5 housing with standard infrared filter. It offers excellent common mode performance (match) and low noise.



Field of View

Parameters	LHi 1448		units	condition
	min	typical max		
Element size		0,953	mm ²	(4 elements)
Responsivity	4200	6500	V/W	100°C, 1 Hz
Match		1 15	%	
Noise		30 75	µVpp	25°C, 0,3...10Hz
Offset Voltage	0,2	1,55	V	R _s =47kΩ, 25°C
NEP		8,6x10 ⁻¹⁰ 28x10 ⁻¹⁰	W √Hz	1Hz Bw, 100°C, 1 Hz
D*	3,5x10 ⁷	11x10 ⁷	cm √Hz/W	1Hz Bw, 100°C, 1 Hz
Output Impedance		5 10	kΩ	R _s =47kΩ, 25°C
Operating Voltage	2	15	V	R _s =47kΩ, 25°C
Field of View, horizontal		103°		unobstructed
vertical		96°		unobstructed
Operating Temp.	-40	85	°C	non permanent
Storage Temperature	-40	75	°C	non permanent

Right for modification reserved / WS / 29.6.2001



Dimensions in mm

