



May 1999

LMC568 Low Power Phase-Locked Loop

General Description

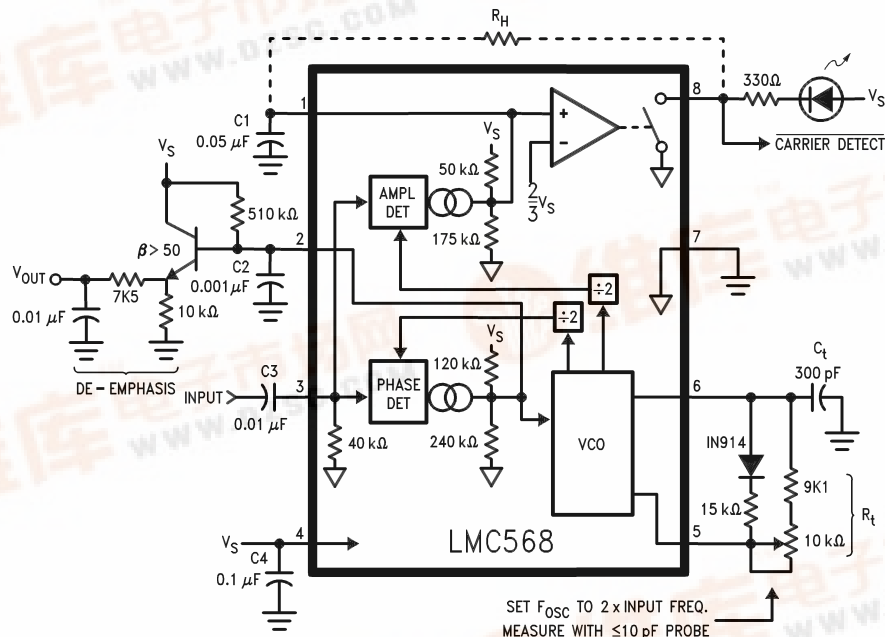
The LMC568 is an amplitude-linear phase-locked loop consisting of a linear VCO, fully balanced phase detectors, and a carrier detect output. LMC MOS™ technology is employed for high performance with low power consumption.

The VCO has a linearized control range of $\pm 30\%$ to allow demodulation of FM and FSK signals. Carrier detect is indicated when the PLL is locked to an input signal greater than 26 mVrms. LMC568 applications include FM SCA and TV second audio program decoders, FSK data demodulators, and voice pagers.

Features

- Demodulates $\pm 15\%$ deviation FM/FSK signals
- Carrier Detect Output with hysteresis
- Operation to 500 kHz input frequency
- Low THD—0.5% typ. for $\pm 10\%$ deviation
- 2V to 9V supply voltage range
- Low supply current drain

Typical Application (100 kHz input frequency, refer to notes pg. 3)



Order Number LMC568CM or LMC568CN
See NS Package Number M08A or N08E

DS009135-1

LMCMOS™ is a trademark of National Semiconductor Corporation.

LMC568 Low Power Phase-Locked Loop



Absolute Maximum Ratings (Note 1)

If Military/Aerospace specified devices are required, please contact the National Semiconductor Sales Office/ Distributors for availability and specifications.

Input Voltage, Pin 3	2 V _{p-p}
Supply Voltage, Pin 4	10V
Output Voltage, Pin 8	13V
Voltage at All Other Pins	V _s to Gnd
Output Current, Pin 8	30 mA
Package Dissipation	500 mW
Operating Temperature Range (T _A)	-25°C to +125°C
Storage Temperature Range	-55°C to +150°C

Soldering Information

Dual-In-Line Package	
Soldering (10 seconds)	260°C
Small Outline Package	
Vapor Phase (60 seconds)	215°C
Infrared (15 seconds)	220°C

See AN-450 "Surface Mounting Methods and their Effect on Product Reliability" for other methods of soldering surface mount devices.

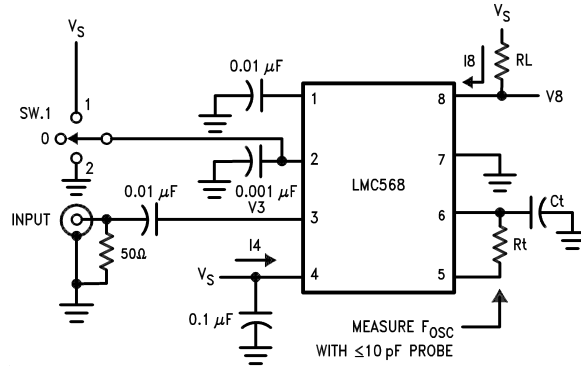
Note 1: "Absolute Maximum Ratings" indicate limits beyond which damage to the device may occur. Operating Ratings indicate conditions for which the device is functional, but do not guarantee specific performance limits.

Electrical Characteristics

Test Circuit, T_A = 25°C, V_S = 5V, RtCt #2, Sw. 1 Pos. 0; and no input unless otherwise noted.

Symbol	Parameter	Conditions	Min	Typ	Max	Units	
I4	Power Supply Current	RtCt # 1, Quiescent or Activated	V _S = 2V	0.35		mAdc	
			V _S = 5V	0.75	1.5		
			V _S = 9V	1.2	2.4		
V3	Input D.C. Bias			0		mVdc	
R3	Input Resistance			40		kΩ	
I8	Output Leakage			1	100	nAdc	
f ₀	Center Frequency F _{osc} ÷ 2	RtCt #2, Measure Oscillator Frequency and Divide by 2	V _S = 2V	98		kHz	
			V _S = 5V	90	103		115
			V _S = 9V		105		
Δf ₀	Center Frequency Shift with Supply	$\frac{f_{0 9V} - f_{0 2V}}{7 f_{0 5V}} \times 100$		1.0	2.0	%/V	
V _{in}	Input Threshold	Set Input Frequency Equal to f ₀ Measured Above, Increase Input Level until Pin 8 Goes Low.	V _S = 2V	8	16	25	mVrms
			V _S = 5V	15	26	42	
			V _S = 9V		45		
ΔV _{in}	Input Hysteresis	Starting at Input Threshold, Decrease Input Level until Pin 8 Goes High		1.5		mVrms	
V8	Output "Sat" Voltage	Input Level > Threshold Choose RL for Specified I8	I8 = 2 mA	0.06	0.15	Vdc	
			I8 = 20 mA		0.7		
L.D.B.W.	Largest Detection Bandwidth	Measure F _{osc} with Sw. 1 in Pos. 0, 1, and 2; L.D.B.W. = $\frac{F_{osc P2} - F_{osc P1}}{F_{osc P0}} \times 100$	V _S = 2V	30		%	
			V _S = 5V	40	55		
			V _S = 9V		60		
ΔBW	Bandwidth Skew	$Skew = \left(\frac{F_{osc P2} - F_{osc P1}}{2 F_{osc P0}} - 1 \right) \times 100$		1	±5	%	
V _{out}	Recovered Audio	Typical Application Circuit Input = 100 mVrms, F = 100 kHz F _{mod} = 400 Hz, ± 10 kHz Dev.	V _S = 2V	170		mVrms	
			V _S = 5V	270			
			V _S = 9V	400			
THD	Total Harmonic Distortion	Typical Application Circuit as Above, Measure V _{out} Distortion.		0.5		%	
$\frac{S + N}{N}$	Signal to Noise Ratio	Typical Application Circuit Remove Modulation, Measure V _n (S + N)/N = 20 log (V _{out} /V _n).		65		dB	
f _{max}	Highest Center Freq.	RtCt #3, Measure Oscillator Frequency and Divide by 2		700		kHz	

Test Circuit



DS009135-3

RtCt	Rt	Ct
#1	100k	300 pF
#2	10k	300 pF
#3	5.1k	62 pF

Notes to Typical Application

SUPPLY DECOUPLING

The decoupling of supply pin 4 becomes more critical at high supply voltages with high operating frequencies, requiring C4 to be placed as close as possible to pin 4. Also, due to pin voltages tracking supply, a large C4 is necessary for low frequency PSRR.

OSCILLATOR TIMING COMPONENTS

The voltage-controlled oscillator (VCO) on the LMC568 must be set up to run at twice the frequency of the input signal. The components shown in the typical application are for $F_{osc} = 200$ kHz (100 kHz input frequency). For operation at lower frequencies, increase the capacitor value; for higher frequencies proportionally reduce the resistor values.

If low distortion is not a requirement, the series diode/resistor between pins 6 and 5 may be omitted. This will reduce VCO supply dependence and increase V_{out} by approximately 2 dB with THD = 2% typical. The center frequency as a function of R_t and C_t is given by:

$$F_{osc} \cong \frac{1}{1.4 R_t C_t} \text{ Hz}$$

To allow for I.C. and component value tolerances, the oscillator timing components will require a trim. This is generally accomplished by using a variable resistor as part of R_t , although C_t could also be padded. The amount of initial frequency variation due to the LMC568 itself is given in the electrical specifications; the total trim range must also accommodate the tolerances of R_t and C_t .

INPUT PIN

The input pin 3 is internally ground-referenced with a nominal 40 kΩ resistor. Signals that are centered on 0V may be directly coupled to pin 3; however, any d.c. potential must be isolated via C3.

OUTPUT TAKEOFF

The output signal is taken off the loop filter at pin 2. Pin 2 is the combined output of the phase detector and control input of the VCO for the phase-locked loop (PLL). The nominal pin 2 source resistance is 80 kΩ, requiring the use of an external buffer transistor to drive nominal loads.

For small values of C_2 , the PLL will have a fast acquisition time and the pull-in range will be set by the built-in VCO frequency stops, which also determine the largest detection bandwidth (LDBW). Increasing C_2 results in improved noise immunity at the expense of acquisition time, and the pull-in range will become narrower than the LDBW. However, the maximum hold-in range will always equal the LDBW. The 2 kHz de-emphasis pole shown may be modified or omitted as required by the application.

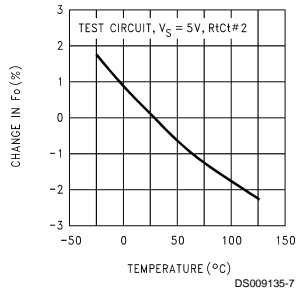
CARRIER DETECT

Pin 1 is the output of a negative-going amplitude detector which has a nominal 0 signal output of $7/9 V_s$. The output at pin 8 is an N-channel FET switch to ground which is activated when the PLL is locked and the input is of sufficient amplitude to cause pin 1 to fall below $2/3 V_s$. The carrier detect threshold is internally set to 26 mVrms typical on a 5V supply.

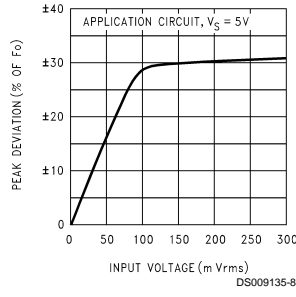
Capacitor C_1 in conjunction with the nominal 40 kΩ pin 1 internal resistance forms the output filter. The size of C_1 is a tradeoff between slew rate and carrier ripple at the output comparator. Optional resistor R_H increases the hysteresis in the pin 8 output for applications such as audio mute control. The minimum allowable value for R_H is 330 kΩ.

LMC568 Typical Performance Characteristics

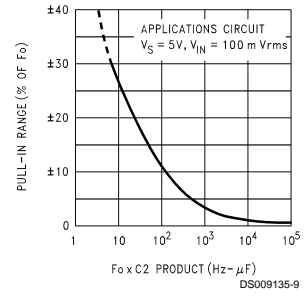
Frequency Drift with Temperature



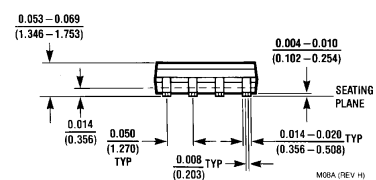
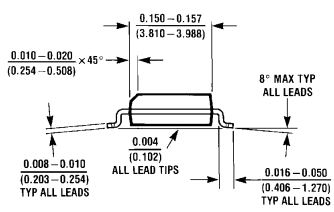
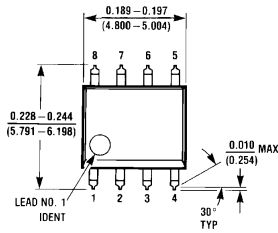
Peak Deviation vs Input Signal Level



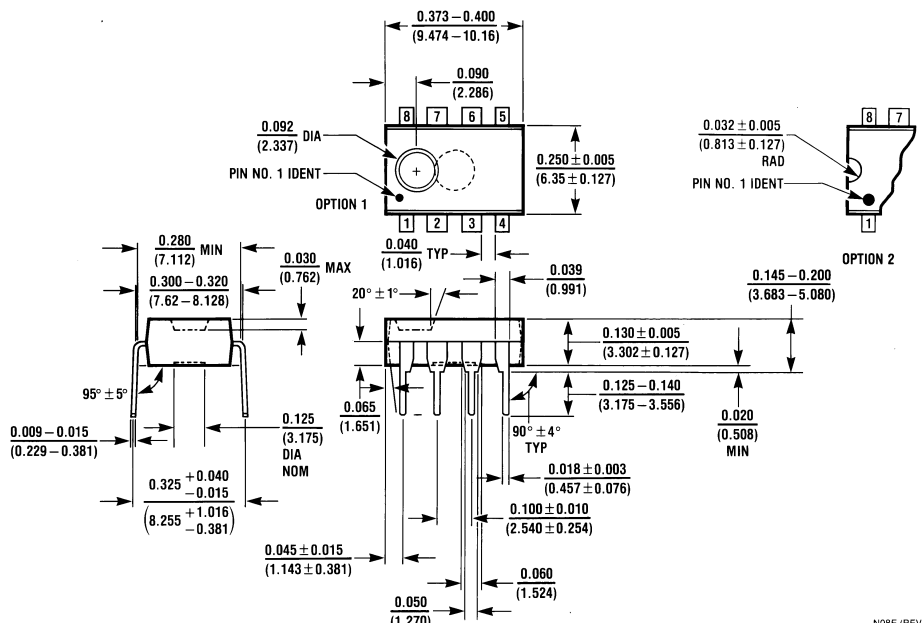
Pull-In Range as a Function of C2



Physical Dimensions inches (millimeters) unless otherwise noted



SO Package (M)
Order Number LMC568CM
NS Package Number M08A



Molded Dual-In-Line Package (N)
Order Number LMC568CN
NS Package Number N08E

Notes

LIFE SUPPORT POLICY

NATIONAL'S PRODUCTS ARE NOT AUTHORIZED FOR USE AS CRITICAL COMPONENTS IN LIFE SUPPORT DEVICES OR SYSTEMS WITHOUT THE EXPRESS WRITTEN APPROVAL OF THE PRESIDENT AND GENERAL COUNSEL OF NATIONAL SEMICONDUCTOR CORPORATION. As used herein:

1. Life support devices or systems are devices or systems which, (a) are intended for surgical implant into the body, or (b) support or sustain life, and whose failure to perform when properly used in accordance with instructions for use provided in the labeling, can be reasonably expected to result in a significant injury to the user.
2. A critical component is any component of a life support device or system whose failure to perform can be reasonably expected to cause the failure of the life support device or system, or to affect its safety or effectiveness.



National Semiconductor Corporation
Americas
Tel: 1-800-272-9959
Fax: 1-800-737-7018
Email: support@nsc.com

www.national.com

National Semiconductor Europe

Fax: +49 (0) 1 80-530 85 86
Email: europe.support@nsc.com
Deutsch Tel: +49 (0) 1 80-530 85 85
English Tel: +49 (0) 1 80-532 78 32
Français Tel: +49 (0) 1 80-532 93 58
Italiano Tel: +49 (0) 1 80-534 16 80

National Semiconductor Asia Pacific Customer Response Group

Tel: 65-2544466
Fax: 65-2504466
Email: sea.support@nsc.com

National Semiconductor Japan Ltd.

Tel: 81-3-5639-7560
Fax: 81-3-5639-7507