

Ultra High Bright Surface Mounting Chip

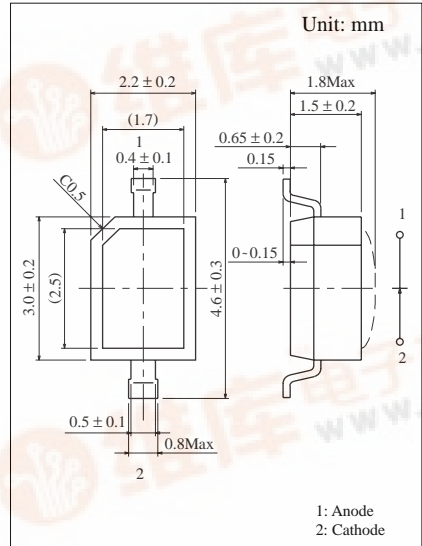
GW-GaAlAs Type

Conventional Part No. Global Part No. Lighting Color
 LN1261CAL – (TR) · LNJ261C3ARA Ultra Bright Red

■ Absolute Maximum Ratings (T_a = 25°C)

Lighting Color	P _D (mW)	I _F (mA)	I _{FP} (mA)*	V _R (V)	T _{opr} (°C)	T _{stg} (°C)
Ultra Bright Red	50	20	60	3	-25 ~ +80	-30 ~ +85

I_{FP}的条件は duty 10% Pulse width 1 msec. The condition of I_{FP} is duty 10%, Pulse width 1 msec



■ Electro-Optical Characteristics (T_a = 25°C)

Conventional Part No.	Lighting Color	Lens Color	I _O		I _F	V _F		λ _P	Δλ	I _F	I _R	
			Typ	Min		Typ	Max	Typ	Typ		I _F	Max
LN1261CAL – (TR)	Ultra Bright Red	Clear	12.0	5.0	20	1.8	2.6	660	20	20	100	3
Unit	—	—	mcd	mcd	mA	V	V	nm	nm	mA	μA	V

