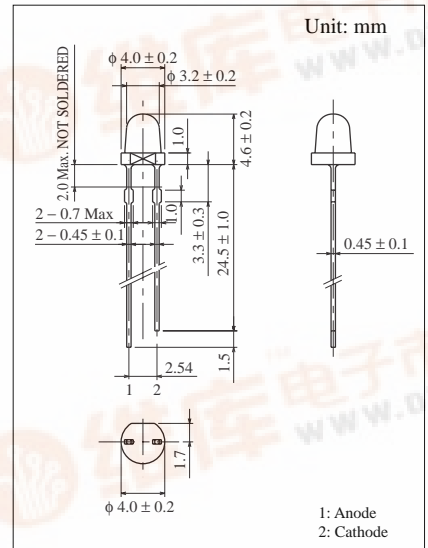


丸形 Round Type 出货

φ 3.2 mm Series

Conventional Part No.	Global Part No.	Lighting Color
LN276RPX	LNG276RKR	Red
LN376GPX	LNG376GKG	Green
LN476YPX	LNG476YKX	Amber



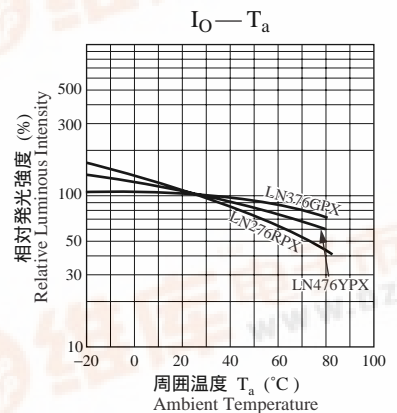
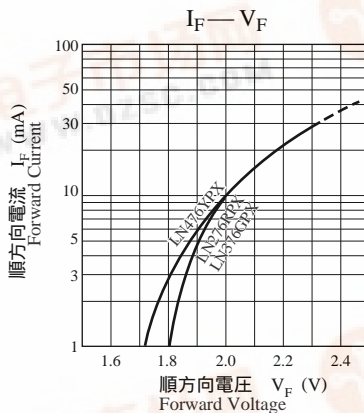
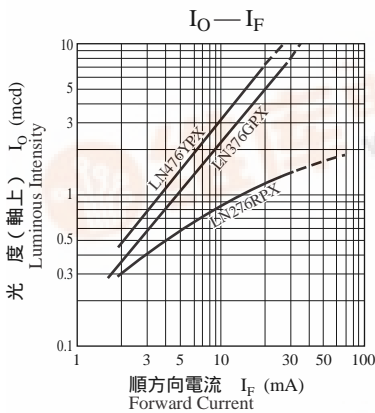
■ 絶対最大定格 Absolute Maximum Ratings (T_a = 25°C)

Lighting Color	P _D (mW)	I _F (mA)	I _{FP} (mA)*	V _R (V)	T _{opr} (°C)	T _{stg} (°C)
Red	70	25	150	4	-25 ~ +85	-30 ~ +100
Green	90	30	150	4	-25 ~ +85	-30 ~ +100
Amber	90	30	150	4	-25 ~ +85	-30 ~ +100

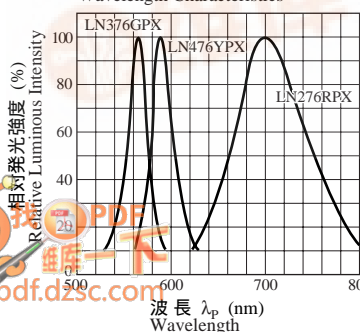
I_{FP}の条件は duty 10% Pulse width 1 msec. The condition of I_{FP} is duty 10%, Pulse width 1 msec

■ 電気的光学的特性 Electro-Optical Characteristics (T_a = 25°C)

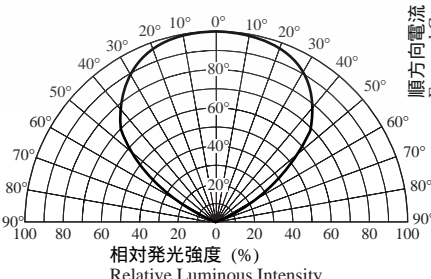
Conventional Part No.	Lighting Color	Lens Color	I _O		I _F	V _F		λ _P	Δλ	I _F	I _R	
			Typ	Min		Typ	Max				Typ	Max
LN276RPX	Red	Red Diffused	1.0	0.4	15	2.2	2.8	700	100	20	5	4
LN376GPX	Green	Green Diffused	5.0	1.9	20	2.2	2.8	565	30	20	10	4
LN476YPX	Amber	Amber Diffused	7.0	2.5	20	2.2	2.8	590	30	20	10	4
Unit	—	—	mcd	mcd	mA	V	V	nm	nm	mA	μA	V



相对発光強度 — 波長特性
Relative Luminous Intensity
Wavelength Characteristics



指向特性
Directive Characteristics



I_F — T_a

