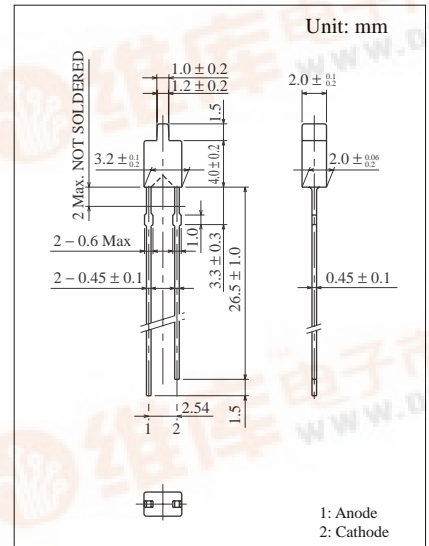


Square Type

1.0 mm × 2.0 mm Series



Conventional Part No.	Global Part No.	Lighting Color
LN281RPX	LNG281RKR	Red
LN381GPX	LNG381GKG	Green
LN481YPX	LNG481YKX	Amber
LN881RPX	LNG881RKD	Orange

■ Absolute Maximum Ratings (T_a = 25°C)

Lighting Color	P _D (mW)	I _F (mA)	I _{FP} (mA)*	V _R (V)	T _{opr} (°C)	T _{stg} (°C)
Red	70	25	150	4	-25 ~ +85	-30 ~ +100
Green	90	30	150	4	-25 ~ +85	-30 ~ +100
Amber	90	30	150	4	-25 ~ +85	-30 ~ +100
Orange	90	30	150	3	-25 ~ +85	-30 ~ +100

I_{FP}の条件は duty 10% Pulse width 1 msec. The condition of I_{FP} is duty 10%, Pulse width 1 msec

■ Electro-Optical Characteristics (T_a = 25°C)

Conventional Part No.	Lighting Color	Lens Color	I _O		I _F	V _F		λ _P	Δλ	I _F	I _R	
			Typ	Min		Typ	Max				Typ	Max
LN281RPX	Red	Red Diffused	0.8	0.3	15	2.2	2.8	700	100	20	5	4
LN381GPX	Green	Green Diffused	1.0	0.4	20	2.2	2.8	565	30	20	10	4
LN481YPX	Amber	Amber Diffused	1.5	0.6	20	2.2	2.8	590	30	20	10	4
LN881RPX	Orange	Red Diffused	2.5	0.9	20	2.1	2.8	630	40	20	10	3
Unit	—	—	mcd	mcd	mA	V	V	nm	nm	mA	μA	V

