

# Round Type

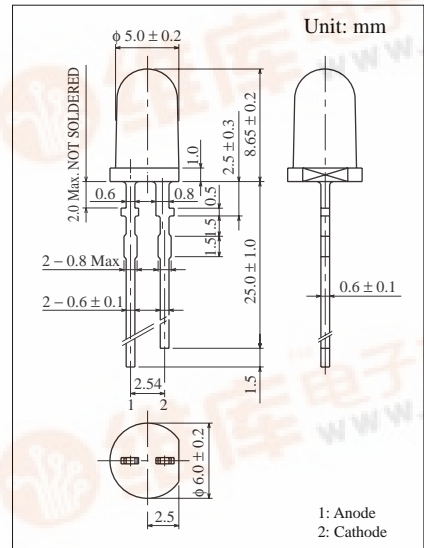
## φ 5.0 mm Series

Conventional Part No.	Global Part No.	Lighting Color
LN31GPH	LNG301GFG	Green
LN31YPH	LNG301YFG	Green
LN31GCPH	LNG301MFG	Green
LN31YCPH	LNG301NFG	Green

### ■ Absolute Maximum Ratings (T<sub>a</sub> = 25°C)

Lighting Color	P <sub>D</sub> (mW)	I <sub>F</sub> (mA)	I <sub>FP</sub> (mA)*	V <sub>R</sub> (V)	T <sub>opr</sub> (°C)	T <sub>stg</sub> (°C)
Green	90	30	150	4	-25 ~ +80	-30 ~ +100

I<sub>FP</sub>的条件は duty 10% Pulse width 1 msec. The condition of I<sub>FP</sub> is duty 10%, Pulse width 1 msec



### ■ Electro-Optical Characteristics (T<sub>a</sub> = 25°C)

Conventional Part No.	Lighting Color	Lens Color	I <sub>O</sub>		I <sub>F</sub>	V <sub>F</sub>		λ <sub>p</sub>	Δλ	I <sub>F</sub>	I <sub>R</sub>	
			Typ	Min		Typ	Max				Typ	Max
LN31GPH	Green	Green Diffused	15.0	3.0	20	2.2	2.8	565	30	20	10	4
LN31YPH	Green	Yellow Diffused	25.0	10.0	20	2.2	2.8	568	30	20	10	4
LN31GCPH	Green	Green Clear	20.0	7.5	20	2.2	2.8	565	30	20	10	4
LN31YCPH	Green	Yellow Clear	56.0	22.0	20	2.2	2.8	563	30	20	10	4
Unit	—	—	mcd	mcd	mA	V	V	nm	nm	mA	μA	V

