

表面実装用チップLED

Surface Mounting Chip LED

出货

Side View Type

Conventional Part No.	Global Part No.	Lighting Color
LNJ210C6RRA	LNJ210C6RRA	Red
LNJ210C6ARA	LNJ210C6ARA	Red
LNJ310M6URA	LNJ310M6URA	Green
LNJ410Q6YRA	LNJ410Q6YRA	Amber
LNJ810L6DRA	LNJ810L6DRA	Orange

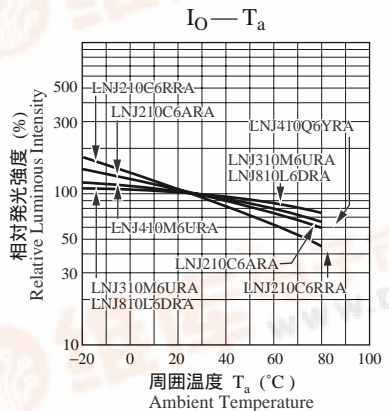
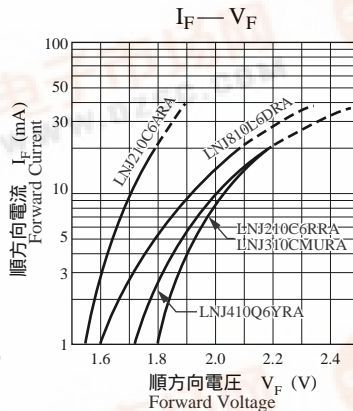
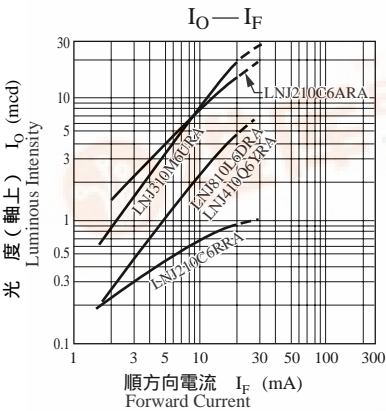
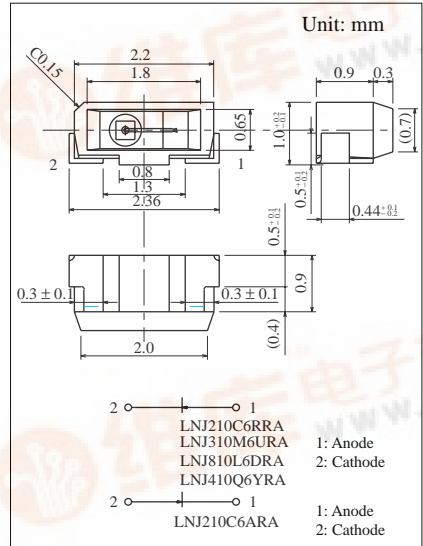
■絶対最大定格 Absolute Maximum Ratings (T<sub>a</sub> = 25°C)

Lighting Color	P <sub>D</sub> (mW)	I <sub>F</sub> (mA)	I <sub>FP</sub> (mA)*	V <sub>R</sub> (V)	T <sub>opr</sub> (°C)	T <sub>stg</sub> (°C)
Red	60	20	60	4	-25 ~ +80	-30 ~ +85
Red	60	20	60	3	-25 ~ +80	-30 ~ +85
Green	60	20	60	4	-25 ~ +80	-30 ~ +85
Amber	60	20	60	4	-25 ~ +80	-30 ~ +85
Orange	60	20	60	3	-25 ~ +80	-30 ~ +85

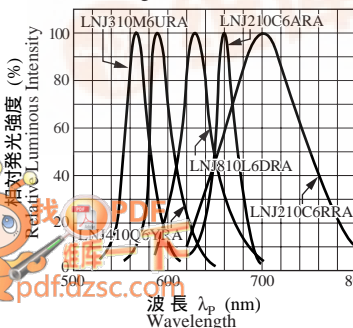
I<sub>FP</sub>の条件は、duty 10%、Pulse width 1 msec. The condition of I<sub>FP</sub> is duty 10%, Pulse width 1 msec

■電気的光学的特性 Electro-Optical Characteristics (T<sub>a</sub> = 25°C)

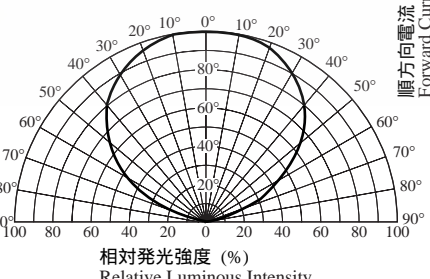
Conventional Part No.	Lighting Color	Lens Color	I <sub>O</sub>			V <sub>F</sub>		λ <sub>p</sub>	Δλ	I <sub>F</sub>	I <sub>R</sub>	
			Typ	Min	I <sub>F</sub>	Typ	Max				Max	V <sub>R</sub>
LNJ210C6RRA	Red	Clear	0.7	0.25	10	2.03	2.6	700	100	10	10	4
LNJ210C6ARA	Red	Clear	8.0	2.6	10	1.72	2.5	660	20	10	100	3
LNJ310M6URA	Green	Clear	8.0	3.0	10	2.03	2.6	565	30	10	10	4
LNJ410Q6YRA	Amber	Yellow Clear	2.5	0.8	10	2.0	2.6	590	30	10	10	4
LNJ810L6DRA	Orange	Red Clear	2.5	0.8	10	1.93	2.6	630	40	10	10	3
Unit	—	—	mcd	mcd	mA	V	V	nm	nm	mA	μA	V



相对発光強度 — 波長特性  
Relative Luminous Intensity  
Wavelength Characteristics



指向特性  
Directive Characteristics



I<sub>F</sub> — T<sub>a</sub>

