

PREPARED BY: _____	DATE _____	SHARP	SPEC No. LD-14402
APPROVED BY: _____	DATE _____		FILE No. _____
			ISSUE: Sep. 06. 2002
		LIQUID CRYSTAL DISPLAY GROUP SHARP CORPORATION SPECIFICATION	PAGE : 15 pages
			APPLICABLE GROUP AVC LIQUID CRYSTAL DISPLAY GROUP

DEVICE SPECIFICATION FOR
TFT - LCD module
MODEL No. LQ197V3DZ31

CUSTOMER'S APPROVAL

DATE _____

BY _____

PRESENTED

BY Makoto Takeda

M. TAKEDA
 Department General manager
 Development Engineering Dept. 2
 AVC LIQUID CRYSTAL DISPLAY Division
 AVC LIQUID CRYSTAL DISPLAY GROUP
 SHARP CORPORATION



1. Application

This specification applies to the color 19.7" VGA TFT-LCD module LQ197V3DZ31.

* These specification sheets are proprietary products of SHARP CORPORATION ("SHARP") and include materials protected under copyright of SHARP. Do not reproduce or cause any third party to reproduce them in any form or by any means, electronic or mechanical, for any purpose, in whole or in part, without the express written permission of SHARP.

* The device listed in these specification sheets was designed and manufactured for use in AV equipment.

* In case of using the device for applications such as control and safety equipment for transportation (aircraft, trains, automobiles, etc.), rescue and security equipment and various safety related equipment which require higher reliability and safety, take into consideration that appropriate measures such as fail-safe functions and redundant system design should be taken.

* Do not use the device for equipment that requires an extreme level of reliability, such as aerospace applications, telecommunication equipment (trunk lines), nuclear power control equipment and medical or other equipment for life support.

* SHARP assumes no responsibility for any damage resulting from the use of the device which does not comply with the instructions and the precautions specified in these specification sheets.

* Contact and consult with a SHARP sales representative for any questions about this device.

2. Overview

This module is a color active matrix LCD module incorporating amorphous silicon TFT (Thin Film Transistor). It is composed of a color TFT-LCD panel, driver ICs, control circuit, power supply circuit, inverter circuit and back light system etc. Graphics and texts can be displayed on a 640 × RGB × 480 dots panel with 262,144 colors by supplying data signal of 18 bit(6 bit x RGB), 4 kinds of timing signal, +5V of DC supply voltages and supply voltage for back light.

This module also includes the DC/AC inverter to drive the CCFT lamps.

3. Mechanical Specifications

Parameter	Specifications	Unit
Display size	50 (Diagonal)	cm
	19.7 (Diagonal)	inch
Active area	401.28 (H) x 298.8 (V)	mm
Pixel Format	640 (H) x 480 (V)	pixel
	(1pixel = B + G + R dot)	
Pixel pitch	0.627 (H) x 0.6225 (V)	mm
Pixel configuration	B, G, R vertical stripe	
Display mode	Normally black	
Unit Outline Dimensions *1	462.6 (W) x 338.5 (H) x 45.2 (D)	mm
Mass	3910 ± 50	g
Surface treatment	Anti glare, low reflection coating Hard coating: 2H Haze: 23 +/- 5%	

(*1) Outline dimensions are shown in Fig.5

4. Input Terminals

4-1. TFT panel driving

CN3 (Using connector) : 34FLZX-RSM1-A-TB (JST)

(Shown in Fig.1)

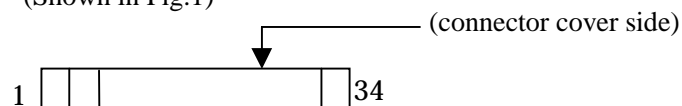


Fig.1 Location sketch of input terminals.

Pin No.	Symbol	Function	Remarks
1	GND		
2	GND		
3	CK	Clock signal(sampling each data)	
4	Hsync	Horizontal synchronized signal	【Note 1】
5	Vsync	Vertical synchronized signal	【Note 1】
6	GND		
7	R0	Red data signal (LSB)	
8	R1	Red data signal	
9	R2	Red data signal	
10	R3	Red data signal	
11	R4	Red data signal	
12	R5	Red data signal (MSB)	
13	GND		
14	G0	Green data signal (LSB)	
15	G1	Green data signal	
16	G2	Green data signal	
17	G3	Green data signal	
18	G4	Green data signal	
19	G5	Green data signal (MSB)	
20	GND		
21	B0	Blue data signal (LSB)	
22	B1	Blue data signal	
23	B2	Blue data signal	
24	B3	Blue data signal	
25	B4	Blue data signal	
26	B5	Blue data signal (MSB)	
27	GND		
28	ENAB	Data enable signal(horizontal position)	【Note 2】
29	Vcc	+5V Power Supply	
30	Vcc	+5V Power Supply	
31	Vcc	+5V Power Supply	
32	Vcc	+5V Power Supply	
33	R/L	Reverse terminal of Right and Left	【Note 3】
34	U/D	Reverse terminal of Up and Down	【Note 3】

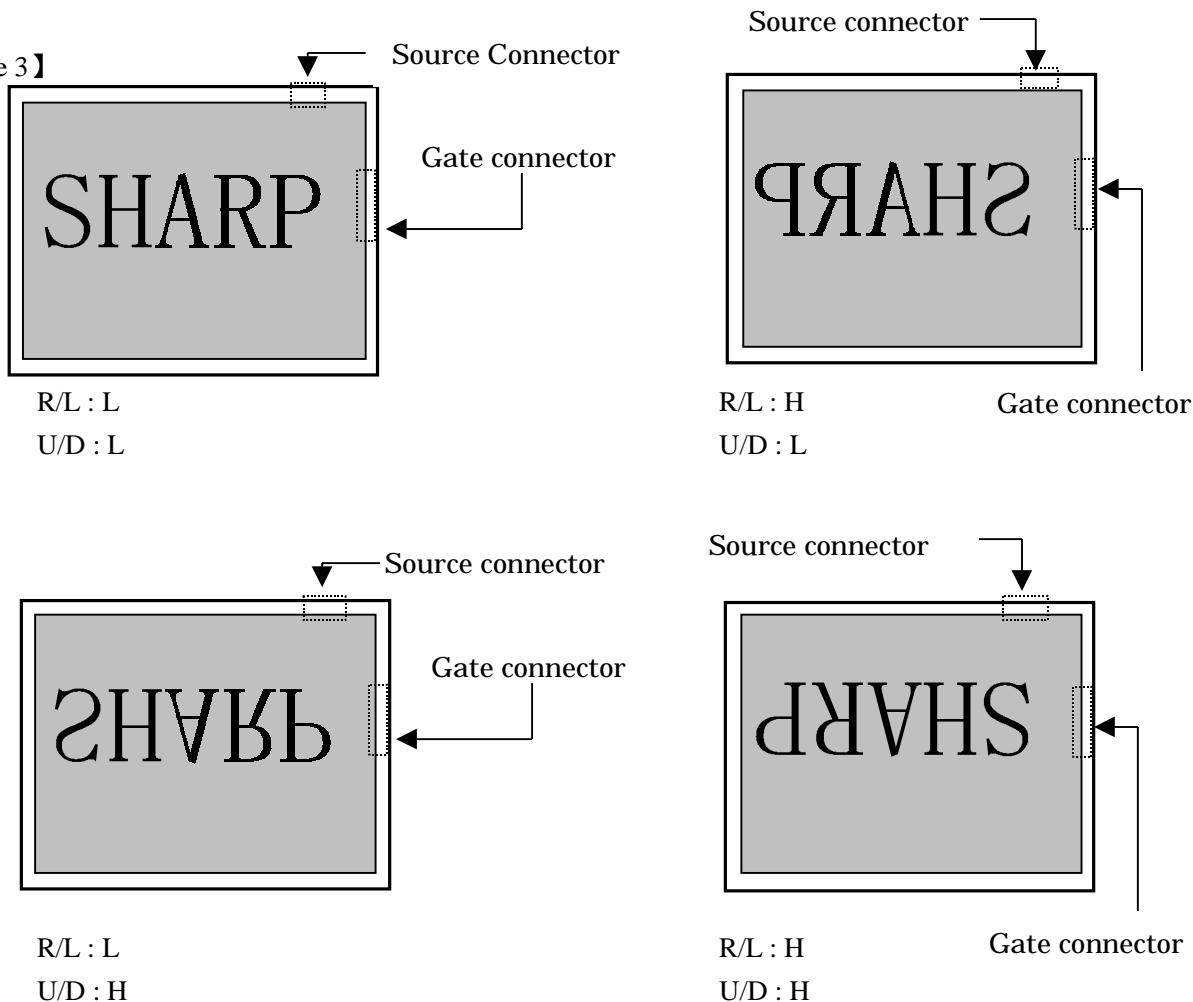
*Control circuit's shield case contacts GND(Ground) of LCD module electrically.

【Note 1】 The polarity combination of the Hsync.,Vsync.

Hsync	Negative
Vsync	Negative

【Note 2】 The horizontal display start timing is settled in accordance with a rising timing of ENAB signal.
 In case of ENAB being fixed at “Low”, the horizontal start timing is determined as described in 7-2.
 Don't keep ENAB “ High “ during operation.

【Note 3】



4-2. Backlight driving

CN1 (Inverter control)

Using connector: S3B-PH-SM3-TB (JST).

Corresponding connector: PHR-3 (JST).

Pin No.	Symbol	Function	Remark
1	V _{ON}	ON/OFF	【Note 1】
2	V _{BRT}	Brightness Control	【Note 2】
3	GND	GND	

【Note 1】 ON/OFF Function

Input voltage	Function
5V	Inverter: ON
0V	Inverter: OFF

【Note 2】 Brightness control function

Brightness control is available for 0 – 5 V analog input voltage.

Input voltage	Function
5V	Brightness Control (7%): (Dark)
0V	Brightness Control (100%): (Bright)

CN2 (Inverter power) Using connector: S6B-PH-SM3-TB (JST).

Corresponding connector: PHR-3 (JST).

Pin No.	Symbol	Function
1	V _{INV}	12V
2	V _{INV}	12V
3	V _{INV}	12V
4	GND	GND
5	GND	GND
6	GND	GND

*Inverter circuit's GND separates from GND(Ground) of LCD module electrically ,
though its Shield case contacts.

4-3. Lamp characteristics

The backlight system is under-lighting type with 10 CCFTs (Cold Cathode Fluorescent Tube).

The characteristics of the lamp are shown in the following table. The value mentioned below is at the case of one CCFT.

Item	Symbol	Min.	Typ.	Max.	Unit	Remarks
Lifetime	T _L	50000	-	-	hour	Note 1

Note 1: Lamp lifetime is defined as the time when the situation 1 occurs in the continuous operation under the condition of Ta=25 degree and brightness control (100%).

1. Brightness becomes 50% of the original value under standard condition.

5. Absolute Maximum Ratings

Parameter	Symbol	Condition	Ratings	Unit	Remark
Input voltage (for Control)	V _I	Ta=25 degree	-0.3 ~ 3.6	V	Note 1
5V supply voltage (for Control)	V _{CC}	Ta=25 degree	0 ~ +6	V	
Input voltage (for Inverter)	V	Ta=25 degree	0 ~ +6	V	
12V supply voltage (for Inverter)	V _{INV}	Ta=25 degree	0 ~ +14	V	
Storage temperature	T _{stg}	-	-25 ~ +60	Degree	Note 2
Operation temperature (Ambient)	T _{opa}	-	0 ~ +40	Degree	

Note 1: CK, R0 ~ R5, G0 ~ G5, B0 ~ B5, Hsync, Vsync, ENAB, R/L, U/D

Note 2: Humidity 95%RH Max. (Ta 40 degree)

Maximum wet-bulb temperature is 39 degree or less. (Ta>40 degree)

No condensation.

6. Electrical Characteristics

6-1. Control circuit driving

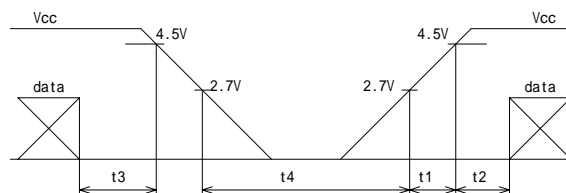
Ta=25 degree

Parameter		Symbol	Min.	Typ.	Max.	Unit	Remark
+5V supply voltage	Supply voltage	Vcc	+4.5	+5.0	+5.5	V	【Note 1】
	Current dissipation	Icc	-	450	540	mA	【Note 2】
Permissive input ripple voltage		VRP	-	-	100	mV _{P-P}	Vcc=+5.0V
Input Low voltage		VIL	-	-	1.0	V	【Note 3】
Input High voltage		VIH	2.3	-	3.6	V	
Input leak current (Low)		IOL1	-	-	5.0	μA	VI=0V 【Note 4】
		IOL2	-	-	10	μA	VI=0V 【Note 5】
Input leak current (High)		IOH1	-	-	1.0	μA	VI=5V 【Note 6】
		IOH2	-	-	550	μA	VI=5V 【Note 7】

【Note 1】

1) Input voltage sequences

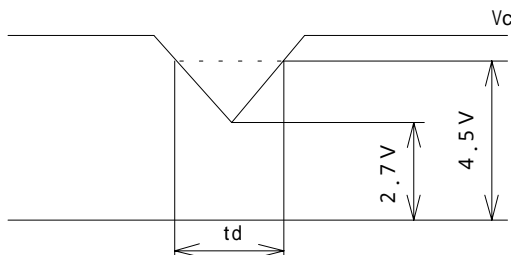
0 < t1 10ms, 0 < t2 10ms,
0 < t3 1s, t4 1s.



2) Dip conditions for supply voltage

a) 2.7V Vcc < 4.5V
td 10ms.

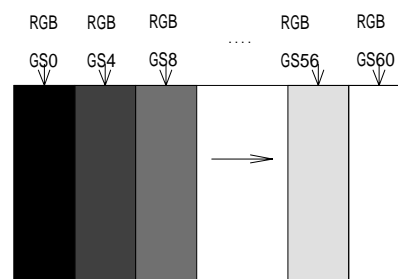
b) Vcc < 2.7V



Dip conditions for supply voltage are based on input voltage sequences.

【Note 2】 Typical current situation: 16 gray-bar pattern(below figure 480 line mode, Vcc=+5.0V).

The explanation of RGB gray scale is seen in section 8.



【Note 3】 CK , R0 ~ R5 , G0 ~ G5 , B0 ~ B5 , Hsync , Vsync , ENAB , R/L, U/D

【Note 4】 CK , R0 ~ R5 , G0 ~ G5 , B0 ~ B5 , Hsync , Vsync, ENAB

【Note 5】 R/L

【Note 6】 CK,R0 ~ R5 , G0 ~ G5 , B0 ~ B5 , Hsync , Vsync

【Note 7】 ENAB, U/D

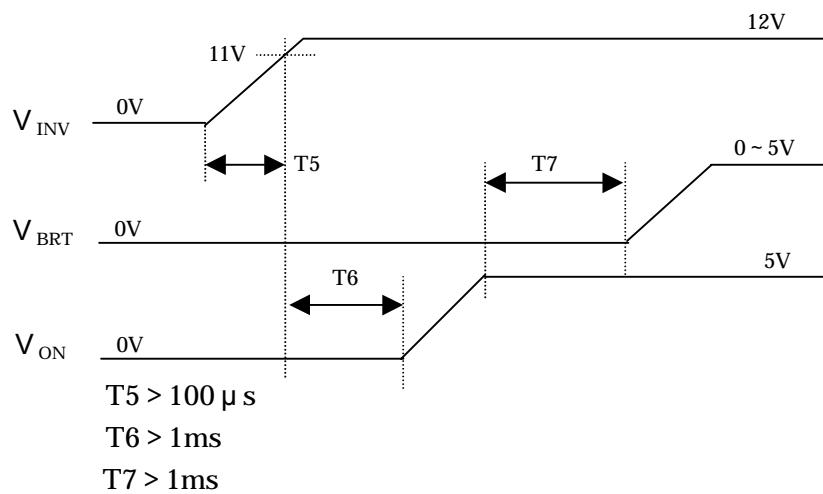
6-2. Inverter driving for back light

The back light system is under-lighting type with 10 CCFTs (Cold Cathode Fluorescent Tube).

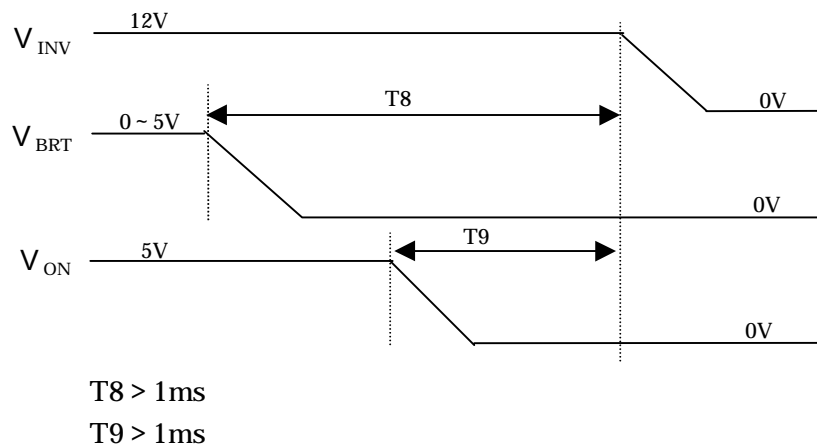
Ta=25

Parameter	Symbol	Min.	Typ.	Max.	Unit	Remark	
+ 12V	Current dissipation	I _{INV}	-	3.4	4.1	A	V _{BRT} =0V, V _{INV} =12V, V _{ON} =5V
	Supply voltage	V _{INV}	11.0	12.0	13.0	V	【Note 1】
Input voltage (Low)	V _{ONL}	0	-	0.5	V	【Note 2】 impedance =24.7k	
Input voltage (High)	V _{ONH}	3.0	-	5.0	V		
Brightness control voltage (100%)	V _{BRT}	0	-	0.3	V	【Note 3】 【Note 4】 impedance =20.6k	
Brightness control voltage	V _{BRT}	0.7	-	5.0	V		

【Note 1】 1) V_{INV}-turn-on condition



2) V_{INV}-turn-off condition



【Note 2】 V_{ON}

【Note 3】 V_{BRT}

【Note 4】 Refrain from using the device under the condition of V_{BRT} = 0.5 ± 0.2V because of the possibility of flicker on display. In case of V_{BRT} > 5.0V, the protective circuit may stop driving the inverter.

7. Timing characteristics of input signal

Timing diagrams of input signal are shown in Fig.2.

7-1. Timing characteristics

Parameter		Symbol	Min.	Typ.	Max.	Unit	Remark
Clock	Frequency	1/Tc	-	25.2	30.0	MHz	
	High time	Tch	5	-	-	ns	
	Low time	Tcl	10	-	-	ns	
Data	Set up time	Tds	5	-	-	ns	
	Hold time	Tdh	10	-	-	ns	
Horizontal synchronized signal	Cycle	TH	30.00	31.78	-	μ s	
			770	800	900	Clock	
	Pulse width	THp	2	96	200	Clock	
Vertical synchronized signal	Cycle	TV	515	525	560	Line	
	Pulse width	TVp	2	-	34	Line	
Horizontal display area		THd	640	640	640	Clock	
Hsync-Clock phase difference		THc	10	-	Tc-10	ns	
Hsync-Vsync phase difference		TVh	0	-	TH-THp	Clock	

Note 1: In case of lower frequency, the deterioration of display quality, flicker etc, may be occurred.

Note 2: In case of turn-off, turn-off may be after input signal for "black".

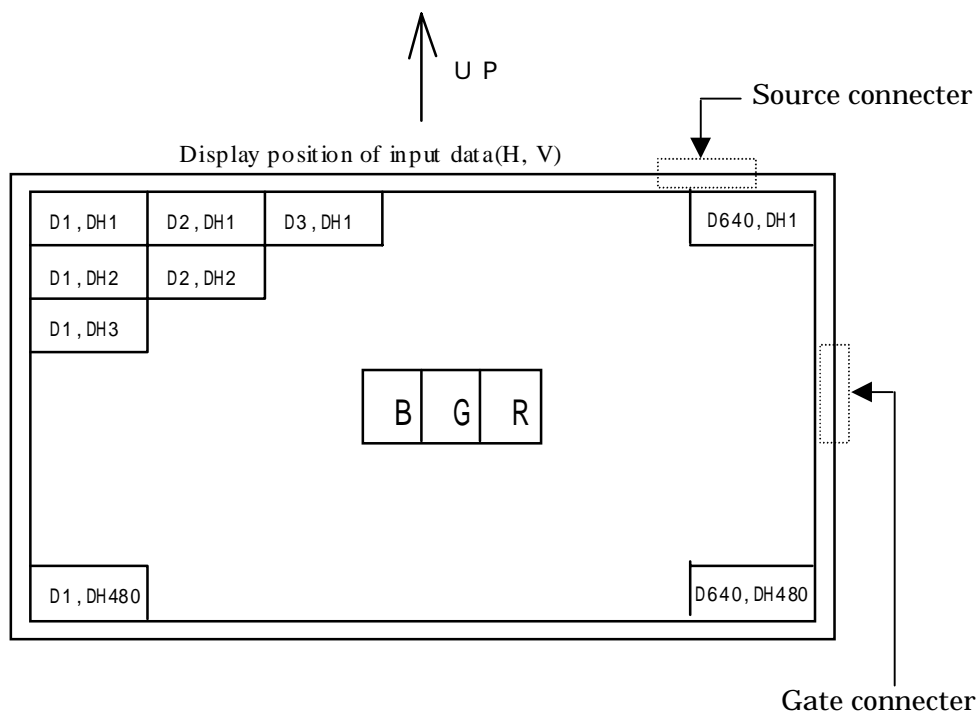
7-2. Horizontal display position

The horizontal display position is determined by the rising edge of ENAB signal.

Parameter		Symbol	Min.	Typ.	Max.	Unit	Remark
Enable signal	Set up time	Tes	5	-	Tc-10	ns	
	Pulse width	Tep	2	640	640	Clock	
Hsync-ENAB signal phase difference		THe	44	-	TH-664	Clock	

Note) When ENAB is fixed at "Low", the display starts from the data of C104 (clock) as shown in Fig.2.

7-3. Input data signal and display position on the screen



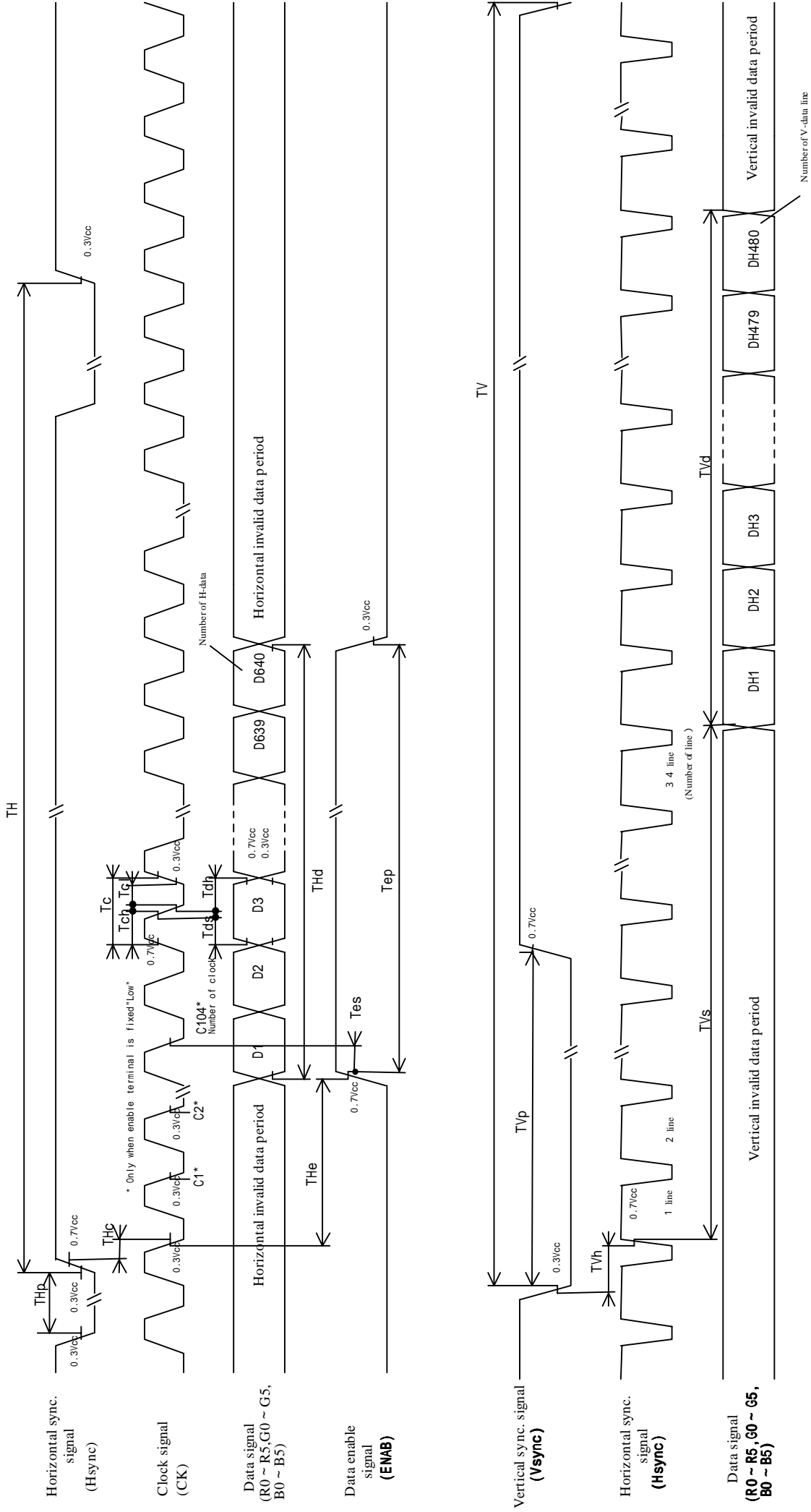


Fig.2 Input signal waveforms

8. Input Signal, Basic Display Colors and Gray Scale of Each Color

	Color & Gray scale	Data signal																		
		Gray Scale	R0	R1	R2	R3	R4	R5	G0	G1	G2	G3	G4	G5	B0	B1	B2	B3	B4	B5
Basic Color	Black	-	0	0	0	0	0	0	0	0	0	0	0	0	0	0	0	0	0	0
	Blue	-	0	0	0	0	0	0	0	0	0	0	0	0	1	1	1	1	1	1
	Green	-	0	0	0	0	0	0	1	1	1	1	1	1	0	0	0	0	0	0
	Cyan	-	0	0	0	0	0	0	1	1	1	1	1	1	1	1	1	1	1	1
	Red	-	1	1	1	1	1	1	0	0	0	0	0	0	0	0	0	0	0	0
	Magenta	-	1	1	1	1	1	1	0	0	0	0	0	0	1	1	1	1	1	1
	Yellow	-	1	1	1	1	1	1	1	1	1	1	1	1	0	0	0	0	0	0
	White	-	1	1	1	1	1	1	1	1	1	1	1	1	1	1	1	1	1	1
Gray Scale of Red	Black	GS0	0	0	0	0	0	0	0	0	0	0	0	0	0	0	0	0	0	0
	↑	GS1	1	0	0	0	0	0	0	0	0	0	0	0	0	0	0	0	0	0
	Darker	GS2	0	1	0	0	0	0	0	0	0	0	0	0	0	0	0	0	0	0
	↑	↓				↓				↓							↓			
	↓	↓				↓				↓							↓			
	Brighter	GS61	1	0	1	1	1	1	0	0	0	0	0	0	0	0	0	0	0	0
	↓	GS62	0	1	1	1	1	1	0	0	0	0	0	0	0	0	0	0	0	0
Red	GS63	1	1	1	1	1	1	0	0	0	0	0	0	0	0	0	0	0	0	
Gray Scale of Green	Black	GS0	0	0	0	0	0	0	0	0	0	0	0	0	0	0	0	0	0	0
	↑	GS1	0	0	0	0	0	0	1	0	0	0	0	0	0	0	0	0	0	0
	Darker	GS2	0	0	0	0	0	0	0	1	0	0	0	0	0	0	0	0	0	0
	↑	↓				↓				↓							↓			
	↓	↓				↓				↓							↓			
	Brighter	GS61	0	0	0	0	0	0	1	0	1	1	1	1	0	0	0	0	0	0
	↓	GS62	0	0	0	0	0	0	0	1	1	1	1	1	0	0	0	0	0	0
Green	GS63	0	0	0	0	0	0	1	1	1	1	1	1	0	0	0	0	0	0	
Gray Scale of Blue	Black	GS0	0	0	0	0	0	0	0	0	0	0	0	0	0	0	0	0	0	0
	↑	GS1	0	0	0	0	0	0	0	0	0	0	0	0	1	0	0	0	0	0
	Darker	GS2	0	0	0	0	0	0	0	0	0	0	0	0	0	1	0	0	0	0
	↑	↓				↓				↓							↓			
	↓	↓				↓				↓							↓			
	Brighter	GS61	0	0	0	0	0	0	0	0	0	0	0	0	1	0	1	1	1	1
	↓	GS62	0	0	0	0	0	0	0	0	0	0	0	0	0	1	1	1	1	1
Blue	GS63	0	0	0	0	0	0	0	0	0	0	0	0	1	1	1	1	1	1	

0: Low level voltage 1: High level voltage

Each basic color can be displayed in 64 gray scales from 6 bit data signals. According to the combination of total 18 bit data signals, the 262,144 color display can be achieved on the screen.

9. Optical characteristics

Ta=25 degree, Vcc=+5V , VINV= + 12V

Parameter		Symbol	Condition	Min.	Typ.	Max.	Unit	Remark	
Viewing angle range	Horizontal	21 22	CR 10	80	85	-	Deg.	【Note1,4】 VBRT=0V	
	Vertical	11 12		80	85	-	Deg.		
Contrast ratio		CRn	Best Viewing Angle	400	500	-		【Note2,4】 VBRT=0V	
Response time	Rise	r	=0 deg.	-	10	-	ms	【Note3,4】 VBRT=0V	
	Decay	d		-	15	-	ms		
Chromaticity of white		x		0.283	0.308	0.333	-	【Note 4】 VBRT=0V	
		y		0.281	0.306	0.331	-	【Note 4】 VBRT=0V	
		x		0.276	0.301	0.326	-	【Note 4】 VBRT=5V	
		y		0.270	0.295	0.320	-	【Note 4】 VBRT=5V	
Luminance of white		YL1		357	450	-	Cd/m ²	【Note 4】 VBRT=0V	
		YL1		-	30	-	Cd/m ²	【Note 4】 VBRT=5V	
Luminance uniformity		w			-	-	1.25		【Note 5】 VBRT=0V

*The measurement, in a dark room or equivalent condition, shall be executed 30 minutes after lighting at rating.

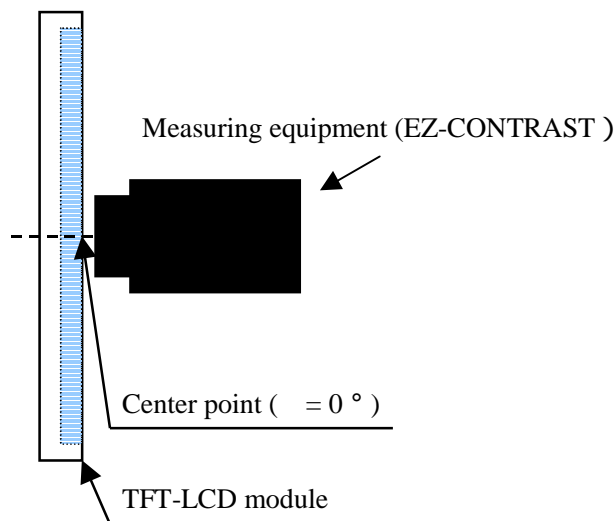


Fig.3-1 Schematic diagram of measurement of Viewing angle and Contrast ratio.

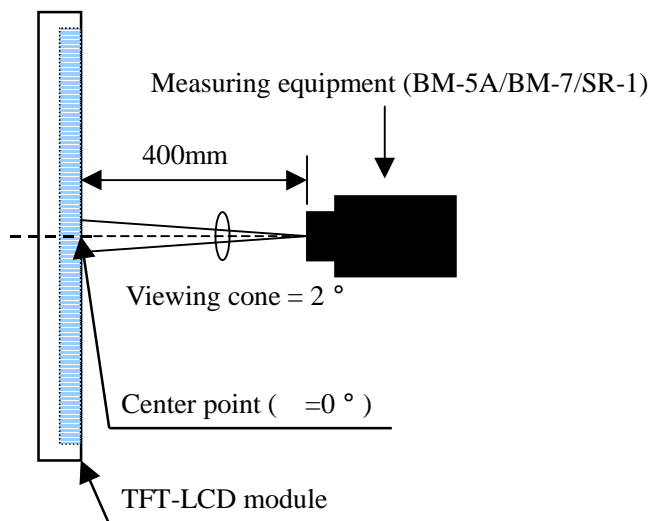
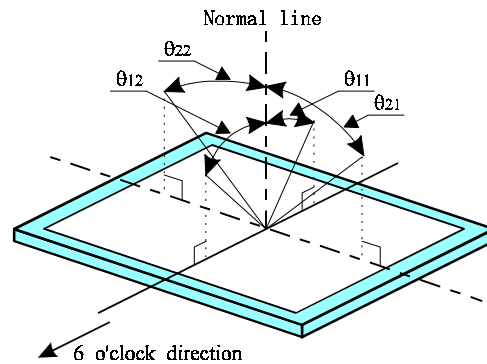


Fig.3-2 Schematic diagram of measurement of Luminance, Chromaticity and Response time.

【Note 1】 Definitions of viewing angle range :



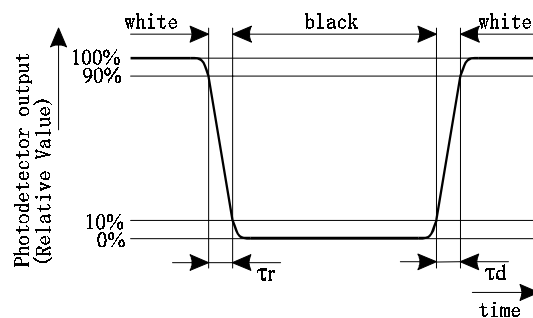
【Note 2】 Definition of contrast ratio :

The contrast ratio is defined as the following.

$$\text{Contrast Ratio (CR)} = \frac{\text{Luminance(brightness) with all pixels white}}{\text{Luminance(brightness) with all pixels black}}$$

【Note 3】 Definition of response time :

The response time is defined as the following figure and shall be measured by switching the input signal for “black” and “white”.



【Note 4】 This shall be measured at center of the screen.

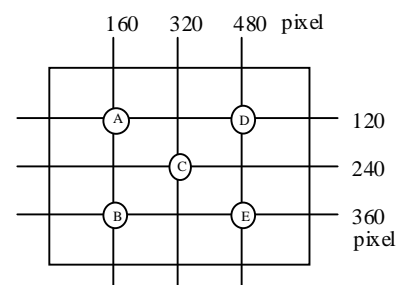
*Luminance, Response time and Chromaticity are measured on the center area of the panel at a viewing cone 2 ° by TOPCON luminance meter BM-7, luminance meter BM-5A and chromaticity meter SR-1.

*Viewing angle and Contrast ratio are measured on the center area by ELDIM photodetector EZ-CONTRAST.

【Note 5】 Definition of Luminance uniformity;

Luminance uniformity is defined as the following with five measurements (A ~ E).

$$w = \frac{\text{maximum Luminance of five points (brightness)}}{\text{minimum Luminance of five points (brightness)}}$$



10. Display Quality

The display quality of the color TFT-LCD module shall be compliance with the incoming inspection standard.

11. Warning

The module includes the inverter circuit, which generates high voltage. Do not touch the inverter cover and CCFT lamp terminals in current carrying. Clearly, alert the possibility of the inverter touched by someone.

12. Handling Precautions of the module

- Be sure to turn off the power supply when inserting or disconnecting the cable.
- Brightness control voltage is switched for “ON” and “OFF”, as shown in Fig.4. Voltage difference generated by this switching, V_{INV} , may affect a sound output, etc. when the power supply is shared between the inverter and its surrounding circuit. So, separate the power supply of the inverter circuit with the one of its surrounding circuit.

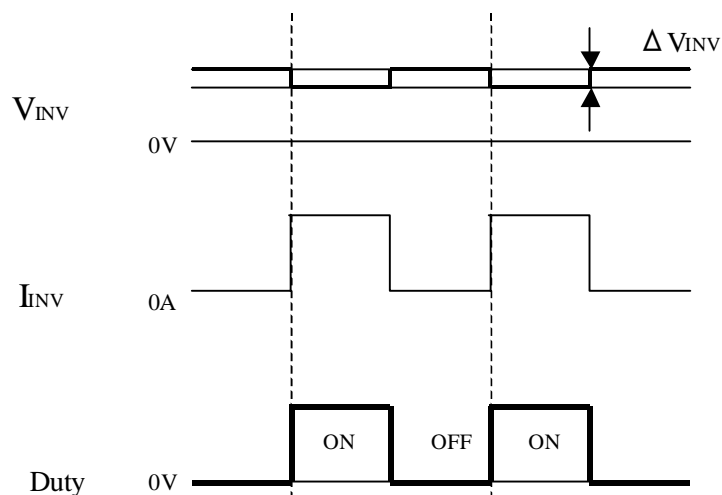


Fig.4 Brightness control voltage.

- Be sure to fix the module in the same plane so that the module can be installed without any extra stress such as warp or twist.
- Since the front polarizer is easily damaged, pay attention to treat it.
- Since long contact with water may cause discoloration or spots, wipe off water drop immediately.
- When the panel surface is soiled, wipe it with absorbent cotton or other soft cloth.
- Since the panel is made of glass, it may break or crack if dropped or bumped on hard surface. Handle with care.
- Since CMOS LSI is used in this module, take care of static electricity and consider wearing the earth personnel when handling.
- Observe all other precautionary requirements in handling components.
- Blow off dust with N2 blower for which static electricity preventive measure has been taken. Ionized air gun is recommended.

12. Packing form

- Piling number of cartons: 4 (maximum)
- Packing quantity in one carton: 2
- Carton size: 393mm(W) x 293mm(H) x 515mm(D)
- Total mass of one carton filled with full modules: 9.38kg

13. Reliability test items

No.	Test item	Conditions
1	High temperature storage test	Ta = 60 240h
2	Low temperature storage test	Ta = - 10 240h
3	High temperature and high humidity operation test	Ta = 40 ; 95%RH 240h (No condensation)
4	High temperature operation test	Tp = 50 240h
5	Low temperature operation test	Ta = 0 240h
6	Vibration test (non-operation)	Frequency : 10 ~ 57Hz/Vibration width(one side) : 0.075mm : 58 ~ 500Hz/Acceleration: 9.8m/s ² Sweep time: 11 minutes Test period : 3 hours(1h for each direction of X, Y, Z)
7	Shock test (non-operation)	Maximum acceleration: 490m/s ² Pulse width: 11ms, sinusoidal half wave Direction: +/-X, +/-Y, +/-Z, once for each direction.

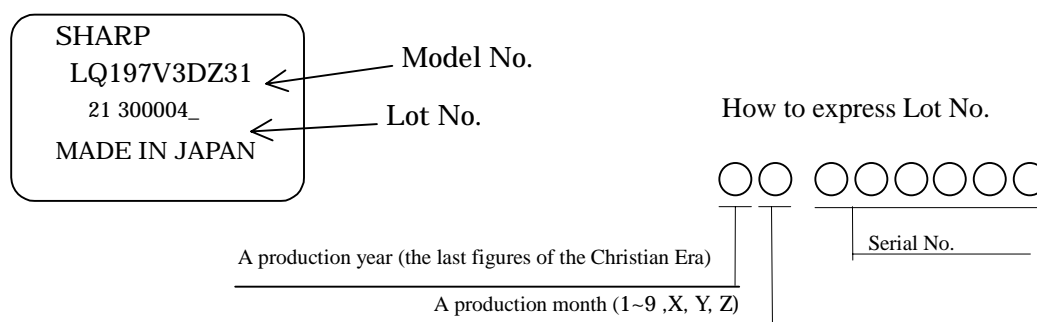
【Note】 Ta = Ambient temperature, Tp = Panel surface temperature

【Result evaluation criteria】

Under the display quality test conditions with normal operation state, there shall be no change which may affect practical display function.

14. Others

1) Lot No. Label;



- 2) Adjusting volume have been set optimally before shipment, so do not change any adjusted value. If adjusted value is changed, the specification may not be satisfied.
- 3) Disassembling the module can cause permanent damage and should be strictly avoided.
- 4) Please be careful since image retention may occur when a fixed pattern is displayed for a long time.
- 5) Be sure to turn off the power supply of the inverter circuit before turning off the one of the control circuit.
- 6) Rust on the module is not taken up as a problem.
- 7) When any question or issue occurs, it shall be solved by mutual discussion.

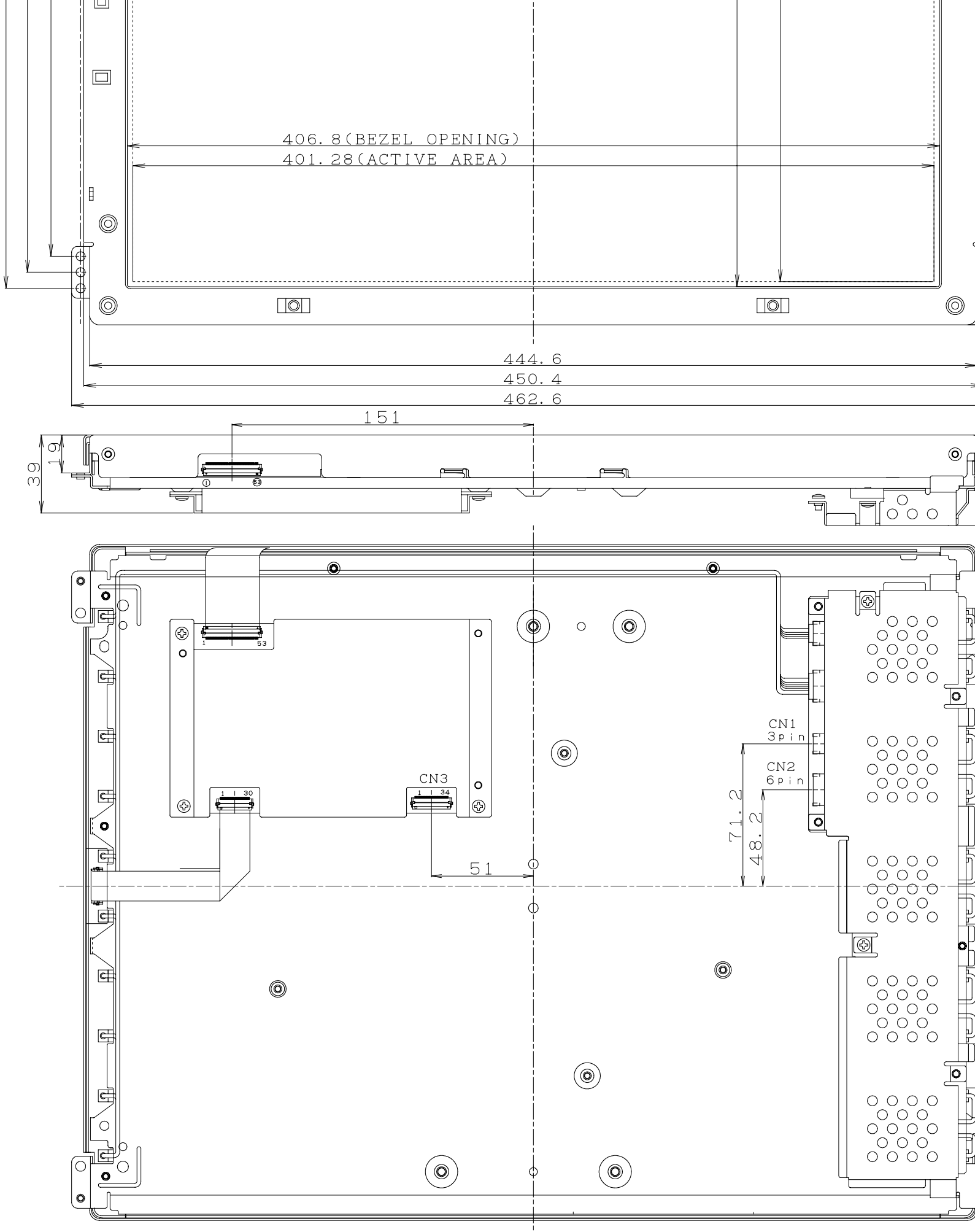
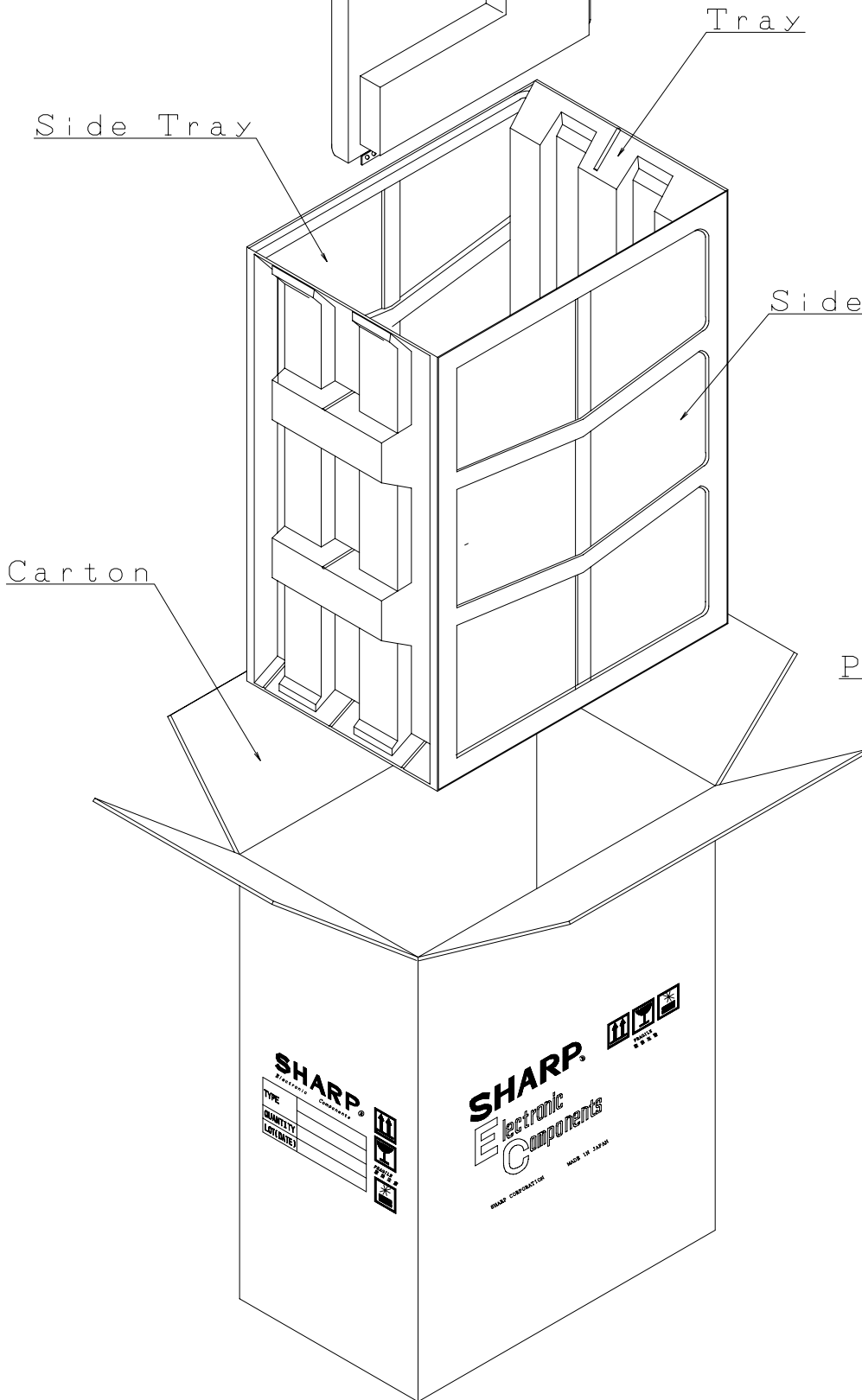


FIG. 5 OUTLINE DIMENSIONS (LQ197V3)

LCD module
LQ197V3DZ31

シャープ物流用ラベルです。

- ①Model No.
- ②Lot No. (Date)
- ③Quantity
- ④User mode
- ⑤Sharp model



TYPE	
QUANTITY	
LOT(DATE)	

Packing band

Tape

Fig. 6 PACKING FORM(LQ197V3DZ31)