

LTA-Series



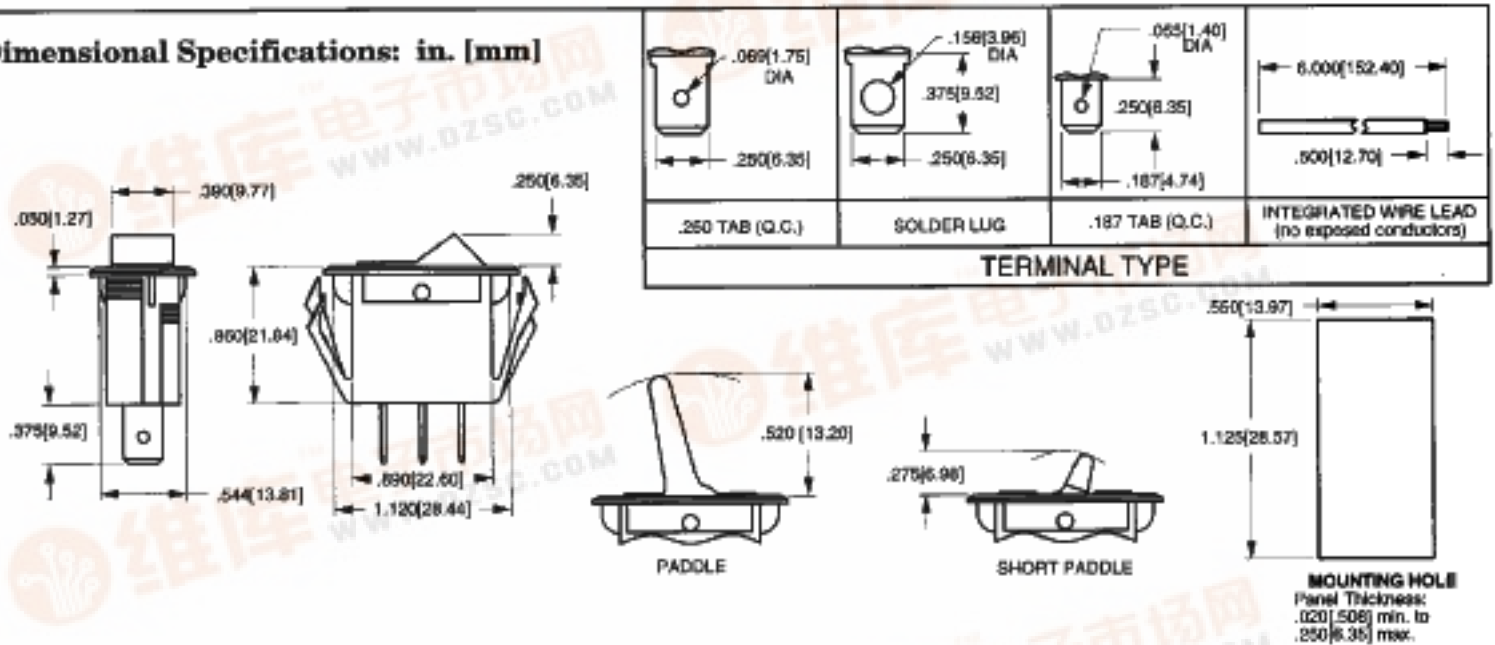
The LTA-Series Mini Tippette Snap-in rocker switches are illuminated, single pole and double-insulated. These switches are AC rated and are also suitable for low voltage DC applications. A variety of actuators, colors and terminations can be specified with ratings up to 20 amps.

Specifications

- Certifications*: UL, CSA
- Dielectric Strength: 1,000V (minimum)
- Insulation Resistance: 100 Megohms (minimum)
- Base Material: Nylon
- Actuator Material: Nylon or Polycarbonate
- Bezel Material: Nylon

* Due to ongoing technological advances, consult factory for certification specifics.

Dimensional Specifications: in. [mm]



SERIES	RATING	TERMINATION	ACTUATOR COLOR	LENS COLOR ^{2,3}
LTA	20	1 - T R - B -	/ 125N	
LTA OFF-NONE-ON SINGLE POLE	10 5A 250VAC 10A 125VAC 1/2HP 125-250VAC	0 SOLDER LUG 1 .250 TAB (QC) 3 .187 TAB (QC) 5 WIRE LEAD	ROCKER A AMBER C CLEAR G GREEN ¹ R RED	A AMBER C CLEAR G GREEN LU BLUE R RED
	11 5A 250VAC 10A 125VAC 5A (TUNGSTEN) 125VAC L	ACTUATOR STYLE	PADDLE¹ B BLACK W WHITE	LAMP VOLTAGE
	20 10A 250VAC 15A 125VAC 3/4HP 125-250VAC	P PADDLE PS PADDLE - SHORT T LIGHTED ROCKER	BASE COLOR¹	NEON 125N 125 VOLT 250N 250 VOLT
	21 10A 250VAC 15A 125VAC		B BLACK W WHITE	INCANDESCENT 6V 6 VOLT 12V 12 VOLT 18V 18 VOLT 24V 24 VOLT 28V 28 VOLT
	22 10A 250VAC 15A 125VAC 20A 125-250VAC H 3/4HP 125-250VAC			

NOTES:

Shading indicates standard configurations. Stainless steel bezels are available. Add suffix "BEZEL" to the end of the catalog number. (ex.) LTA201-TR-B/12V/BEZEL.

Mounting is available. Please specify when ordering.

Panel Cut-Out Recommendations: For sheet metal panels, switch must enter panel in same direction as the punch. (Bar on bottom.) Test cut hole in actual material.

Various lens colors are available. Consult factory.

Neon lamps (125 volt or 250 volt) not recommended with green or blue colored indicators.

Specify lens color only if actuator style is P or PS.

