



查询LX5111供应商

# LINFINITY

MICROELECTRONICS

THE INFINITE POWER OF INNOVATION

捷多邦, 专业PCB打样工厂, 24小时加急出货 Doc #: 5111

## UltraMAX™

## LX5111/5112

### ULTRA 9-CHANNEL SCSI TERMINATOR

### PRODUCTION DATA SHEET

#### DESCRIPTION

The LX5111/5112 SCSI terminators are part of Linfinity's UltraMAX family of high-performance, adaptive, non-linear mode SCSI products, which are designed to deliver true UltraSCSI performance in SCSI applications. The low voltage BiCMOS architecture employed in their design offers superior performance to older linear passive and active techniques. Linfinity's UltraMAX architecture employs high-speed adaptive elements for each channel, thereby providing the fastest response possible — typically 35MHz, which is 100 times faster than the older linear regulator/terminator approach used by other manufacturers. Products using this older linear regulator approach have bandwidths which are dominated by the output capacitor and which are limited to 500KHz (see further discussion in the Functional Description section). The UltraMAX architecture also eliminates the output compensation capacitor typical in earlier terminator designs. Each is approved for use with SCSI-1, -2, -3, UltraSCSI and beyond — providing the highest performance alternative available today.

Another key improvement offered by the LX5111/5112 lies in their ability to insure reliable, error-free communications even in systems which do not adhere to recommended SCSI hardware design guidelines, such as the use of improper

cable lengths and impedances. Frequently, this situation is not controlled by the peripheral or host designer and, when problems occur, they are the first to be made aware of the problem. The LX5111/5112 architecture is much more tolerant of marginal system integrations.

Recognizing the needs of portable and configurable peripherals, the LX5111/5112 have a TTL compatible sleep/disable mode. Quiescent current is typically less than 275µA in this mode, while the output capacitance is also less than 3pF. The obvious advantage of extended battery life for portable systems is inherent in the product's sleep-mode feature. Additionally, the disable function permits factory-floor or production-line configurability, reducing inventory and product-line diversity costs. Field configurability can also be accomplished without physically removing components which, often times results in field returns due to mishandling.

Reduced component counts is also inherent in the LX5111/5112's architecture. Traditional termination techniques require large stabilization and transient protection capacitors of up to 20µF in value and size. The LX5111/5112 architecture does not require these components, allowing all the cost savings associated with inventory, board space, assembly, reliability, and component costs.

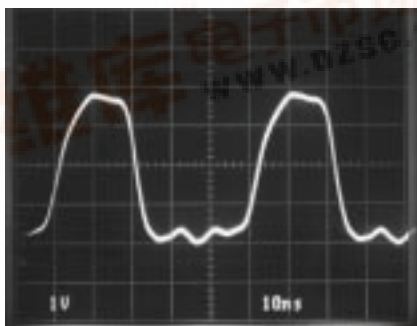
#### KEY FEATURES

- ULTRA-FAST RESPONSE FOR FAST-20 SCSI APPLICATIONS
- 35MHz CHANNEL BANDWIDTH
- 3.3V OPERATION
- LESS THAN 3pF OUTPUT CAPACITANCE
- SLEEP-MODE CURRENT LESS THAN 275µA
- THERMALLY SELF LIMITING
- NO EXTERNAL COMPENSATION CAPACITORS
- IMPLEMENTS 8-BIT OR 16-BIT (WIDE) APPLICATIONS
- COMPATIBLE WITH ACTIVE NEGATION DRIVERS (60mA / CHANNEL)
- COMPATIBLE WITH PASSIVE AND ACTIVE TERMINATIONS
- APPROVED FOR USE WITH SCSI 1, 2, 3 AND ULTRA SCSI
- HOT SWAP COMPATIBLE
- PIN-FOR-PIN COMPATIBLE WITH LX5211 AND UC5606 (LX5111)
- PIN-FOR-PIN COMPATIBLE WITH LX5212 AND UC5603/5613/5614 (LX5112)

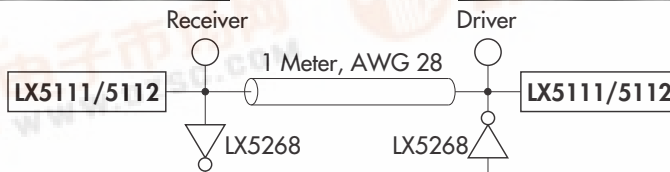
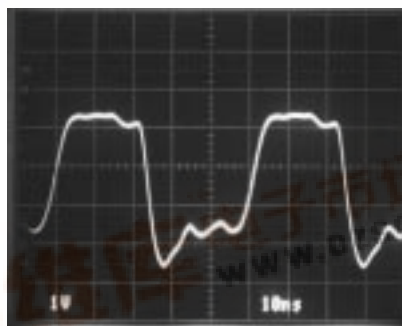
**IMPORTANT:** For the most current data, consult Linfinity's web site: <http://www.linfinity.com>.

#### PRODUCT HIGHLIGHT

RECEIVING WAVEFORM - 20MHz



DRIVING WAVEFORM - 20MHz



**NOTE:**

For An In-Depth Discussion On Applying SCSI, Request Linfinity Application Note: "Understanding The Single-Ended SCSI Bus"

#### PACKAGE ORDER INFORMATION

T <sub>A</sub> (°C)	DP	Plastic SOIC 16-pin, Power	PWP	Plastic TSSOP 24-pin, Power
0 to 70		LX5111CDP		LX5111CPWP
		LX5112CDP		LX5112CPWP

Note: All surface-mount packages are available in Tape & Reel. Append the letter "T" to part number. (i.e. LX5111CDPT)



## ULTRA 9-CHANNEL SCSI TERMINATOR

### PRODUCTION DATA SHEET

#### ABSOLUTE MAXIMUM RATINGS (Note 1)

TermPwr Voltage .....	+7V
Signal Line Voltage .....	0V to +7V
Regulator Output Current .....	0.4A
Operating Junction Temperature	
Plastic (DP, PWP Packages) .....	150°C
Storage Temperature Range .....	-65°C to 150°C
Lead Temperature (Soldering, 10 seconds) .....	300°C

Note 1. Exceeding these ratings could cause damage to the device. All voltages are with respect to Ground. Currents are positive into, negative out of the specified terminal.

#### THERMAL DATA

##### DP PACKAGE:

<b>THERMAL RESISTANCE-JUNCTION TO LEADS, <math>\theta_{jL}</math></b>	<b>20°C/W</b>
<b>THERMAL RESISTANCE-JUNCTION TO AMBIENT, <math>\theta_{jA}</math></b>	<b>50°C/W</b>

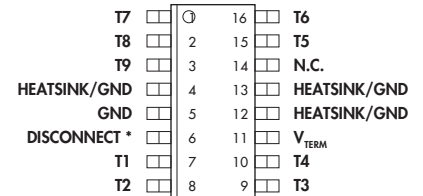
##### PWP PACKAGE:

<b>THERMAL RESISTANCE-JUNCTION TO LEADS, <math>\theta_{jL}</math></b>	<b>27°C/W</b>
<b>THERMAL RESISTANCE-JUNCTION TO AMBIENT, <math>\theta_{jA}</math></b>	<b>100°C/W</b>

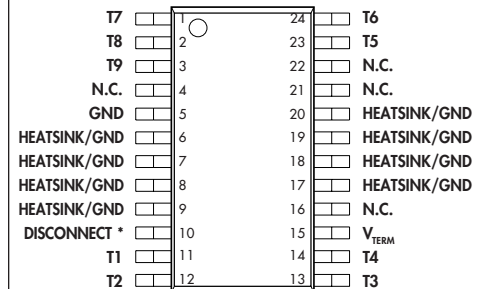
Junction Temperature Calculation:  $T_j = T_A + (P_D \times \theta_{jA})$ .

The  $\theta_{jA}$  numbers are guidelines for the thermal performance of the device/pc-board system. All of the above assume no ambient airflow.

#### PACKAGE PIN OUTS



**DP PACKAGE**  
(Top View)



**PWP PACKAGE**  
(Top View)

\* Pin 10 is DISCONNECT for the LX5112, and DISCONNECT for the LX5111.

## ULTRA 9-CHANNEL SCSI TERMINATOR

## PRODUCTION DATA SHEET

## RECOMMENDED OPERATING CONDITIONS (Note 2)

Parameter	Symbol	Recommended Operating Conditions			Units
		Min.	Typ.	Max.	
Termination Voltage	$V_{TERM}$	3.3		5.5	V
High Level Enable Input Voltage	$V_{IH}$	LX5111	2	$V_{TERM}$	V
		LX5112	0	0.8	V
Low Level Disable Input Voltage	$V_{IL}$	LX5111	0	0.8	V
		LX5112	2	$V_{TERM}$	V
Operating Virtual Junction Temperature Range LX5111C/5112C		0		125	°C

Note 2. Range over which the device is functional.

## ELECTRICAL CHARACTERISTICS

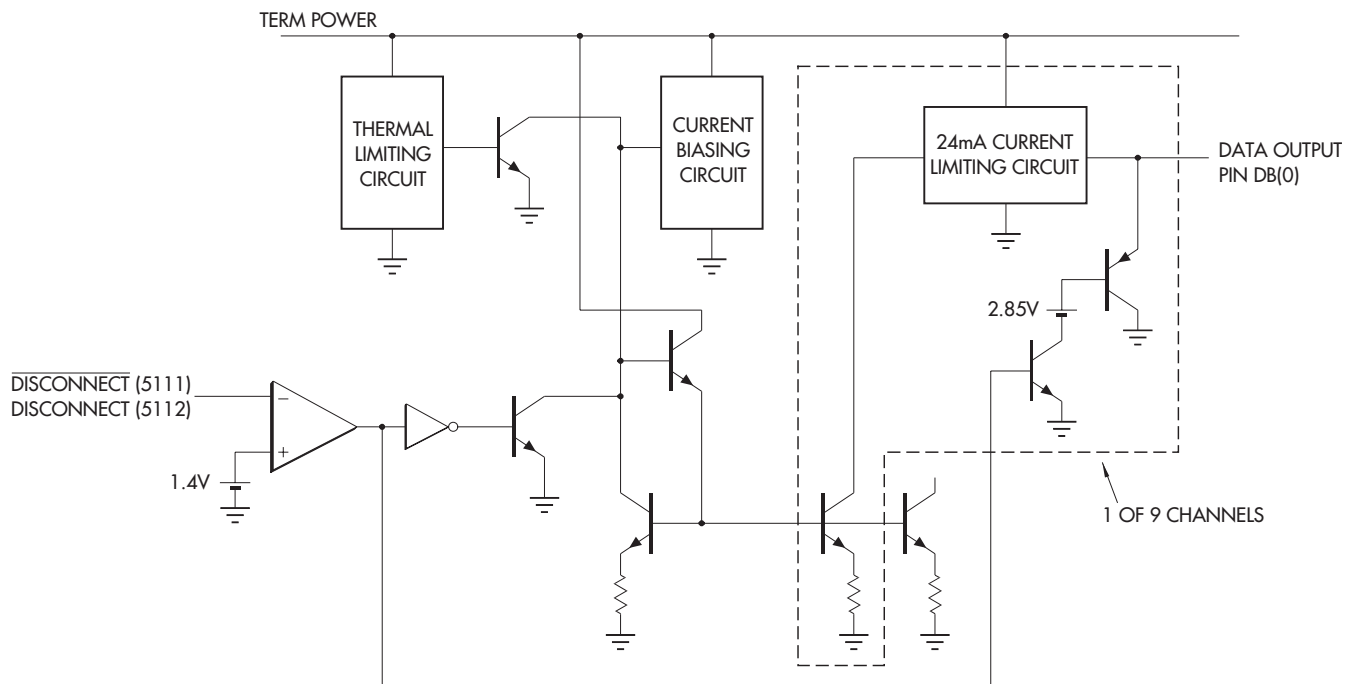
**Term Power = 4.75V unless otherwise specified.** Unless otherwise specified, these specifications apply at the recommended operating ambient temperature of  $T_A = 25^\circ\text{C}$ . Low duty cycle pulse testing techniques are used which maintains junction and case temperatures equal to the ambient temperature.

Parameter	Symbol	Test Conditions	LX5111/5112			Units
			Min.	Typ.	Max.	
Output High Voltage	$V_{OUT}$		2.65	2.82		V
TermPwr Supply Current	$I_{CC}$	All data lines = open		5	9	mA
		All data lines = 0.5V		205	225	mA
		DISCONNECT Pin < 0.8V		275		$\mu\text{A}$
		DISCONNECT Pin > 2.0V		275		$\mu\text{A}$
Output Current	$I_{OUT}$	$V_{OUT} = 0.5\text{V}$	-21	-23	-24	mA
DISCONNECT Input Current LX5111	$I_{IN}$	DISCONNECT Pin = 4.75V		10		nA
		DISCONNECT Pin = 0V		40		$\mu\text{A}$
DISCONNECT Input Current LX5112	$I_{IN}$	DISCONNECT Pin = 0V		-14		$\mu\text{A}$
		DISCONNECT Pin = 4.75V		10		nA
Output Leakage Current LX5111	$I_{OL}$	DISCONNECT Pin = < 0.8V, $V_O = 0.5\text{V}$		10		nA
		DISCONNECT Pin = > 2.0V, $V_O = 0.5\text{V}$		10		nA
Capacitance in DISCONNECT Mode	$C_{OUT}$	$V_{OUT} = 0\text{V}$ , frequency = 1MHz		3		pF
Channel Bandwidth	BW			35		MHz
Termination Sink Current, per Channel	$I_{SINK}$	$V_{OUT} = 4\text{V}$		35		mA

ULTRA 9-CHANNEL SCSI TERMINATOR

PRODUCTION DATA SHEET

BLOCK DIAGRAM



FUNCTIONAL DESCRIPTION

Cable transmission theory suggests to optimize signal speed and quality, the termination should act both as an ideal voltage reference when the line is released (deasserted) and as an ideal current source when the line is active (asserted). Common active terminators, which consist of Linear Regulators in series with resistors (typically 110Ω), are a compromise. As the line voltage increases, the amount of current decreases linearly by the equation  $V = I * R$ . The LX5111/5112, with their unique new architecture applies the maximum amount of current regardless of line voltage until the termination high threshold (2.85V) is reached.

Acting as a near ideal line terminators, the LX5111/5112 closely reproduce the optimum case when the devices are enabled. To enable the device the DISCONNECT pin (DISCONNECT pin for the LX5112) must be pulled logic **High** (logic **Low** for the LX5112). During this mode of operation, quiescent current is 6mA and the devices will respond to line demands by delivering 24mA on assertion, and by imposing

2.85V on deassertion. In order to disable the device, the DISCONNECT pin (DISCONNECT pin for the LX5112) must be driven logic **Low** (logic **High** for the LX5112). This mode of operation places the devices in a sleep state where a meager 275µA of quiescent current is consumed. Additionally, all outputs

are in a Hi-Z (impedance) state. Sleep mode can be used for power conservation or to completely eliminate the terminator from the SCSI chain. In the second case, termination node capacitance is important to consider. The terminators will appear as a parasitic distributed capacitance on the line, which can detract from bus performance. For

this reason, the LX5111/5112 have been optimized to have only 3pF of capacitance per output in the sleep state.

An additional feature of the LX5111/5112 IC's are their compatibility with active negation drivers. These devices handle up to 60mA of sink current for drivers which exceed the 2.85V output high.

POWER UP / POWER DOWN FUNCTION TABLE

LX5111 DISCONNECT	LX5112 DISCONNECT	Outputs	Quiescent Current
H	L	Enabled	6mA
L	H	HI Z	275µA
Open	Open	HI Z	275µA