

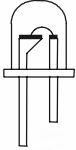


— 華半導體股份有限公司
MOSDESIGN SEMICONDUCTOR CORP.

TAIPEI: TEL: 886-2- 22783733
FAX: 886-2- 22783633
H.K. : TEL: 852- 27569109
FAX: 852- 27566961

8 FUNCTIONS
5 LED FLASH IC

八段功能
5 LED 闪烁 IC

LED FLASH	
M1512	

FEATURES 功能叙述

- VDD Control.
- Built-in / Ext.Rosc.
- 1 key operation, into ROM by changing on mask.
- LED pattern will be programmed.
- Auto: Floating — 8 section auto scan.
VSS — Change section by “TG” key.

No. M1512

- 1 单灯来回闪
- 2 双灯来回闪
- 3 连亮
- 4 连灭
- 5 由外向内来回闪
- 6 全闪
- 7 连亮连灭
- 8 渐明渐暗

APPLICATION 产品应用

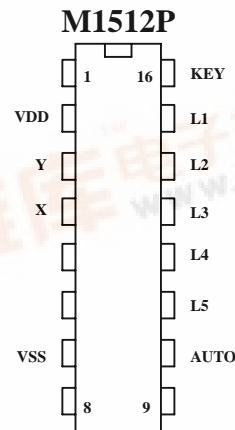
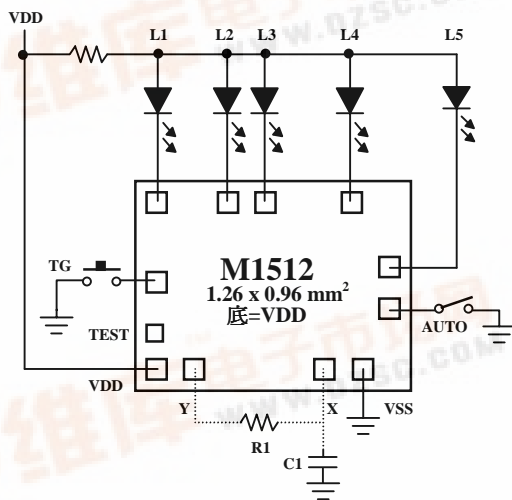
- Disco broaches, Blinking LED, Shoe IC etc..

ELECTRICAL CHARACTERISTICS 电气规格

(@V_{DD}=3V unless otherwise specified)

Characteristics	Sym.	Min.	Typ.	Max.	Unit	REMARKS
工作电压 Operating Voltage	V _{DD}	—	3	3.5	V	
工作电流 Operating Current	I _{OP}	—	0.1	0.5	mA	No load
推动电流 Driving Current	I _{OL}	20	—	—	mA	@ V _{DS} =1.2V
振荡频率 Oscillator Frequency	F _{OSC}	—	64	—	KHz	±30% TOL., R _{osc} =K Ω
工作温度 Operating Temperature	Temp.	0	25	60	°C	

APPLICATION DIAGRAM 参考电路图



* External C1 (10 ~ 100 pf to VSS): decrease the Fosc.

* External R1: increase the Fosc.

* All specs and applications shown above subject to change without prior notice.

(以上电路及规格仅供参考, 本公司得行修正)



~ 華 斗 導 體 有 限 公 司
MOSDESIGN SEMICONDUCTOR CORP.

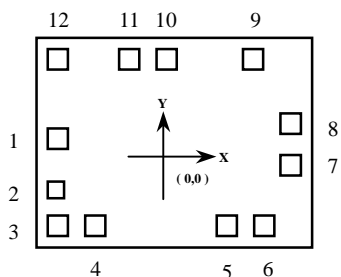
TAIPEI: TEL: 886-2- 22783733
FAX: 886-2- 22783633
H.K. : TEL: 852- 27569109
FAX: 852- 27566961

8 FUNCTIONS
5 LED FLASH IC

八段功能
5 LED 闪烁 IC

LED FLASH	
M1512	

PAD ASSIGNMENT&POSITION



Unit : um			
NO	NAME	X	Y
1	TG	-505.75	15.5
2	TEST	-505.75	-206.25
3	VDD	-505.75	-359
4	Y	-340.75	-359
5	X	240.5	-359
6	VSS	400.5	-359
7	AUTO	505	-95.75
8	L5	505	76.25
9	L4	340.25	352.75
10	L3	-35.75	352.75
11	L2	-195.75	352.75
12	L1	-505.75	352.75

* CHIP SIZE ~ 1.26 X 0.96 mm²

* IC substrate should be connected to VDD in PCB (PCB 上 IC 必须接 VDD)
(以上电路及规格仅供参考,本公司得径行修正)