

## LM2662/LM2663 Switched Capacitor Voltage Converter

### General Description

The LM2662/LM2663 CMOS charge-pump voltage converter inverts a positive voltage in the range of 1.5V to 5.5V to the corresponding negative voltage. The LM2662/LM2663 uses two low cost capacitors to provide 200 mA of output current without the cost, size, and EMI related to inductor based converters. With an operating current of only 300  $\mu$ A and operating efficiency greater than 90% at most loads, the LM2662/LM2663 provides ideal performance for battery powered systems. The LM2662/LM2663 may also be used as a positive voltage doubler.

The oscillator frequency can be lowered by adding an external capacitor to the OSC pin. Also, the OSC pin may be used to drive the LM2662/LM2663 with an external clock. For LM2662, a frequency control (FC) pin selects the oscillator frequency of 20 kHz or 150 kHz. For LM2663, an external shutdown (SD) pin replaces the FC pin. The SD pin can be used to disable the device and reduce the quiescent current to 10  $\mu$ A. The oscillator frequency for LM2663 is 150 kHz.

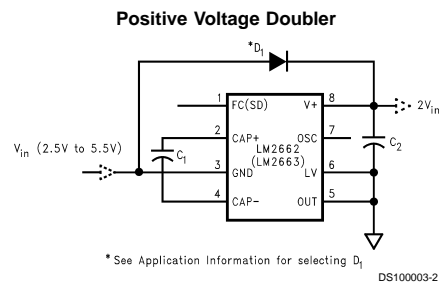
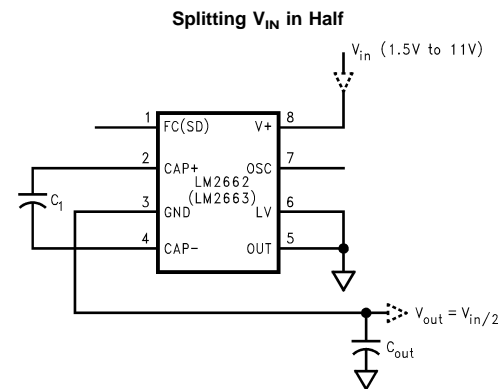
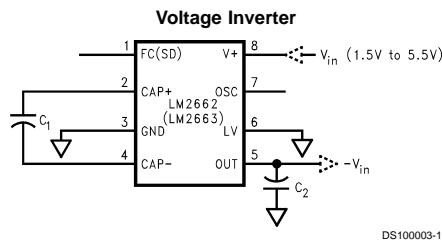
### Features

- Inverts or doubles input supply voltage
- Narrow SO-8 Package
- 3.5 $\Omega$  typical output resistance
- 86% typical conversion efficiency at 200 mA
- (LM2662) selectable oscillator frequency: 20 kHz/150 kHz
- (LM2663) low current shutdown mode

### Applications

- Laptop computers
- Cellular phones
- Medical instruments
- Operational amplifier power supplies
- Interface power supplies
- Handheld instruments

### Basic Application Circuits



## Absolute Maximum Ratings (Note 1)

If Military/Aerospace specified devices are required, please contact the National Semiconductor Sales Office/Distributors for availability and specifications.

Supply Voltage (V+ to GND, or GND to OUT)	6V
LV	(OUT – 0.3V) to (GND + 3V)
FC, OSC, SD	The least negative of (OUT – 0.3V) or (V+ – 6V) to (V+ + 0.3V)
V+ and OUT Continuous Output Current	250 mA

Output Short-Circuit Duration to GND (Note 2)	1 sec.
Power Dissipation ( $T_A = 25^\circ\text{C}$ ) (Note 3)	735 mW
$T_J$ Max (Note 3)	150°C
$\theta_{JA}$ (Note 3)	170°C/W
Operating Junction Temperature Range	–40°C to +85°C
Storage Temperature Range	–65°C to +150°C
Lead Temperature (Soldering, 10 seconds)	300°C
ESD Rating	2 kV

## Electrical Characteristics

Limits in standard typeface are for  $T_J = 25^\circ\text{C}$ , and limits in **boldface** type apply over the full operating temperature range. Unless otherwise specified: V+ = 5V, FC = Open, C<sub>1</sub> = C<sub>2</sub> = 47  $\mu\text{F}$ . (Note 4)

Symbol	Parameter	Condition	Min	Typ	Max	Units	
V+	Supply Voltage	$R_L = 1\text{k}$	Inverter, LV = Open	<b>3.5</b>		<b>5.5</b>	V
			Inverter, LV = GND	<b>1.5</b>		<b>5.5</b>	
			Doubler, LV = OUT	<b>2.5</b>		<b>5.5</b>	
$I_Q$	Supply Current	No Load LV = Open	FC = V+ (LM2662)		1.3	<b>4</b>	mA
			SD = Ground (LM2663)		0.3	<b>0.8</b>	
			FC = Open				
$I_{SD}$	Shutdown Supply Current (LM2663)			10		$\mu\text{A}$	
$V_{SD}$	Shutdown Pin Input Voltage (LM2663)	Shutdown Mode	<b>2.0</b>	(Note 5)		V	
		Normal Operation			<b>0.3</b>		
$I_L$	Output Current		<b>200</b>			mA	
$R_{OUT}$	Output Resistance (Note 6)	$I_L = 200\text{ mA}$		3.5	<b>7</b>	$\Omega$	
$f_{OSC}$	Oscillator Frequency (Note 7)	OSC = Open	FC = Open	<b>7</b>	20	kHz	
			FC = V+	<b>55</b>	150		
$f_{SW}$	Switching Frequency (Note 8)	OSC = Open	FC = Open	<b>3.5</b>	10	kHz	
			FC = V+	<b>27.5</b>	75		
$I_{OSC}$	OSC Input Current	FC = Open		$\pm 2$	$\mu\text{A}$		
		FC = V+		$\pm 10$			
$P_{EFF}$	Power Efficiency	$R_L$ (500) between V+ and OUT	<b>90</b>	96	%		
		$I_L = 200\text{ mA}$ to GND		86			
$V_{OEFF}$	Voltage Conversion Efficiency	No Load	<b>99</b>	99.96		%	

**Note 1:** Absolute maximum ratings indicate limits beyond which damage to the device may occur. Electrical specifications do not apply when operating the device beyond its rated operating conditions.

**Note 2:** OUT may be shorted to GND for one second without damage. However, shorting OUT to V+ may damage the device and should be avoided. Also, for temperatures above 85°C, OUT must not be shorted to GND or V+, or device may be damaged.

**Note 3:** The maximum allowable power dissipation is calculated by using  $P_{DMax} = (T_{JMax} - T_A)/\theta_{JA}$ , where  $T_{JMax}$  is the maximum junction temperature,  $T_A$  is the ambient temperature, and  $\theta_{JA}$  is the junction-to-ambient thermal resistance of the specified package.

**Note 4:** In the test circuit, capacitors C<sub>1</sub> and C<sub>2</sub> are 47  $\mu\text{F}$ , 0.2 $\Omega$  maximum ESR capacitors. Capacitors with higher ESR will increase output resistance, reduce output voltage and efficiency.

**Note 5:** In doubling mode, when  $V_{out} > 5\text{V}$ , minimum input high for shutdown equals  $V_{out} - 3\text{V}$ .

**Note 6:** Specified output resistance includes internal switch resistance and capacitor ESR.

**Note 7:** For LM2663, the oscillator frequency is 150 kHz.

**Note 8:** The output switches operate at one half of the oscillator frequency,  $f_{OSC} = 2f_{SW}$ .

## Test Circuits

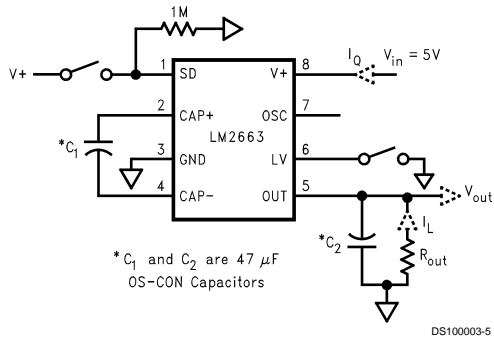
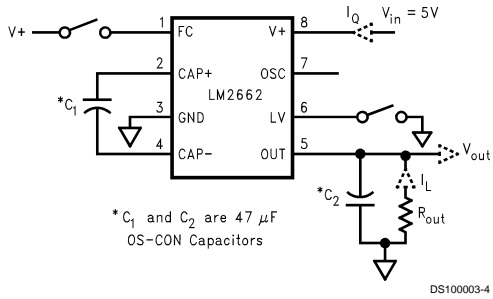
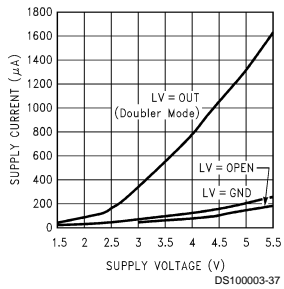


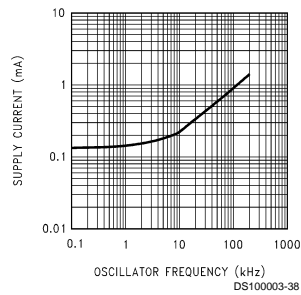
FIGURE 1. LM2662 and LM2663 Test Circuits

## Typical Performance Characteristics (Circuit of Figure 1)

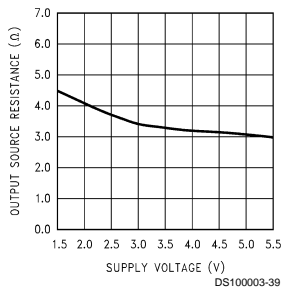
### Supply Current vs Supply Voltage



### Supply Current vs Oscillator Frequency

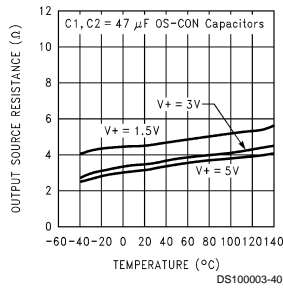


### Output Source Resistance vs Supply Voltage

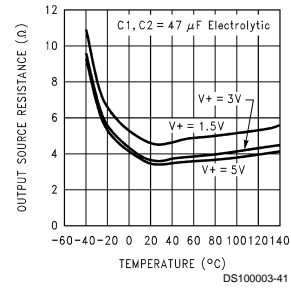


## Typical Performance Characteristics (Circuit of Figure 1) (Continued)

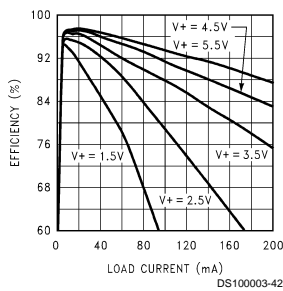
### Output Source Resistance vs Temperature



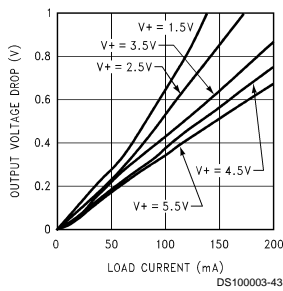
### Output Source Resistance vs Temperature



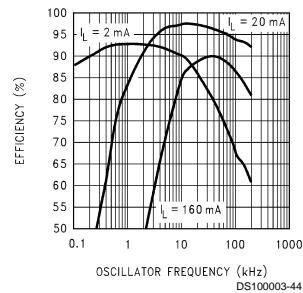
### Efficiency vs Load Current



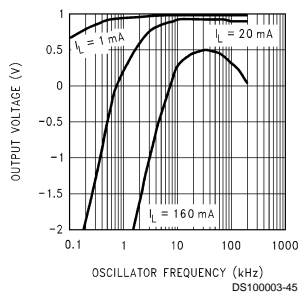
### Output Voltage Drop vs Load Current



### Efficiency vs Oscillator Frequency

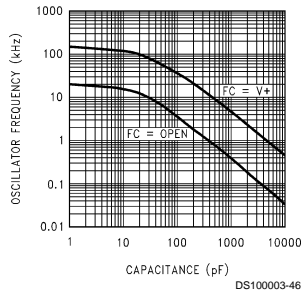


### Output Voltage vs Oscillator Frequency

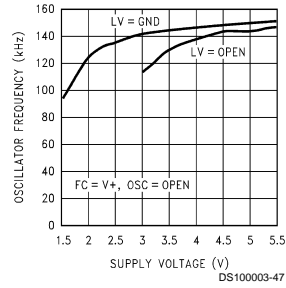


## Typical Performance Characteristics (Circuit of Figure 1) (Continued)

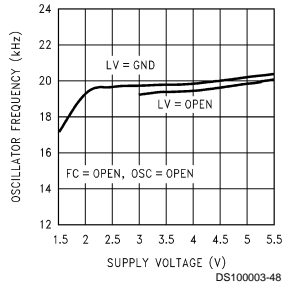
**Oscillator Frequency vs External Capacitance**



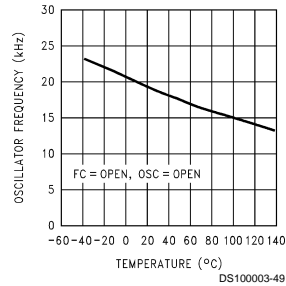
**Oscillator Frequency vs Supply Voltage**



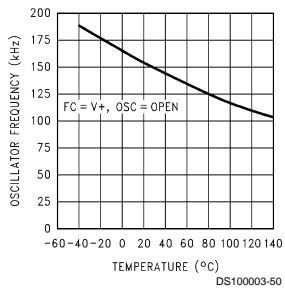
**Oscillator Frequency vs Supply Voltage**



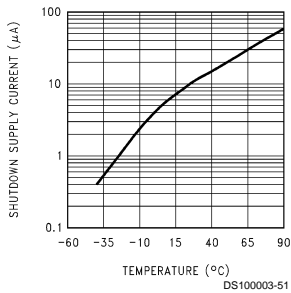
**Oscillator Frequency vs Temperature**



**Oscillator Frequency vs Temperature**

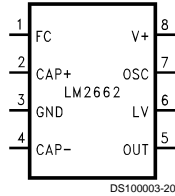


**Shutdown Supply Current vs Temperature (LM2663 Only)**

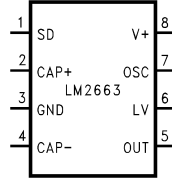


## Connection Diagrams

### 8-Lead SO (M)



DS100003-20



DS100003-21

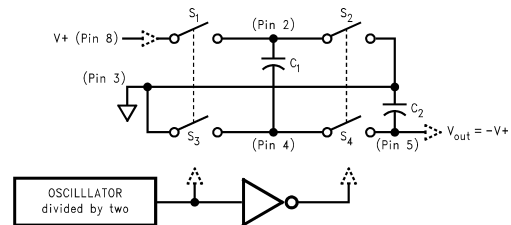
Top View  
Order Number LM2662M, LM2663M  
See NS Package Number M08A

## Pin Description

Pin	Name	Function	
		Voltage Inverter	Voltage Doubler
1	FC (LM2662)	Frequency control for internal oscillator: FC = open, $f_{OSC} = 20$ kHz (typ); FC = V+, $f_{OSC} = 150$ kHz (typ); FC has no effect when OSC pin is driven externally.	Same as inverter.
1	SD (LM2663)	Shutdown control pin, tie this pin to the ground in normal operation.	Same as inverter.
2	CAP+	Connect this pin to the positive terminal of charge-pump capacitor.	Same as inverter.
3	GND	Power supply ground input.	Power supply positive voltage input.
4	CAP-	Connect this pin to the negative terminal of charge-pump capacitor.	Same as inverter.
5	OUT	Negative voltage output.	Power supply ground input.
6	LV	Low-voltage operation input. Tie LV to GND when input voltage is less than 3.5V. Above 3.5V, LV can be connected to GND or left open. When driving OSC with an external clock, LV must be connected to GND.	LV must be tied to OUT.
7	OSC	Oscillator control input. OSC is connected to an internal 15 pF capacitor. An external capacitor can be connected to slow the oscillator. Also, an external clock can be used to drive OSC.	Same as inverter except that OSC cannot be driven by an external clock.
8	V+	Power supply positive voltage input.	Positive voltage output.

## Circuit Description

The LM2662/LM2663 contains four large CMOS switches which are switched in a sequence to invert the input supply voltage. Energy transfer and storage are provided by external capacitors. Figure 2 illustrates the voltage conversion scheme. When  $S_1$  and  $S_3$  are closed,  $C_1$  charges to the supply voltage  $V+$ . During this time interval switches  $S_2$  and  $S_4$  are open. In the second time interval,  $S_1$  and  $S_3$  are open and  $S_2$  and  $S_4$  are closed,  $C_1$  is charging  $C_2$ . After a number of cycles, the voltage across  $C_2$  will be pumped to  $V+$ . Since the anode of  $C_2$  is connected to ground, the output at the cathode of  $C_2$  equals  $-V+$  assuming no load on  $C_2$ , no loss in the switches, and no ESR in the capacitors. In reality, the charge transfer efficiency depends on the switching frequency, the on-resistance of the switches, and the ESR of the capacitors.



DS100003-22

FIGURE 2. Voltage Inverting Principle

## Application Information

### SIMPLE NEGATIVE VOLTAGE CONVERTER

The main application of LM2662/LM2663 is to generate a negative supply voltage. The voltage inverter circuit uses only two external capacitors as shown in the Basic Application Circuits. The range of the input supply voltage is 1.5V to 5.5V. For a supply voltage less than 3.5V, the LV pin must be connected to ground to bypass the internal regulator circuitry. This gives the best performance in low voltage applications. If the supply voltage is greater than 3.5V, LV may be connected to ground or left open. The choice of leaving LV open simplifies the direct substitution of the LM2662/LM2663 for the LMC7660 Switched Capacitor Voltage Converter.

The output characteristics of this circuit can be approximated by an ideal voltage source in series with a resistor. The voltage source equals  $-(V_+)$ . The output resistance  $R_{out}$  is a function of the ON resistance of the internal MOS switches, the oscillator frequency, and the capacitance and ESR of  $C_1$  and  $C_2$ . Since the switching current charging and discharging  $C_1$  is approximately twice as the output current, the effect of the ESR of the pumping capacitor  $C_1$  is multiplied by four in the output resistance. The output capacitor  $C_2$  is charging and discharging at a current approximately equal to the output current, therefore, its ESR only counts once in the output resistance. A good approximation is:

$$R_{out} \cong 2R_{SW} + \frac{2}{f_{osc} \times C_1} + 4 ESR_{C1} + ESR_{C2}$$

where  $R_{SW}$  is the sum of the ON resistance of the internal MOS switches shown in Figure 2.

High value, low ESR capacitors will reduce the output resistance. Instead of increasing the capacitance, the oscillator frequency can be increased to reduce the  $2/(f_{osc} \times C_1)$  term. Once this term is trivial compared with  $R_{SW}$  and ESRs, further increasing in oscillator frequency and capacitance will become ineffective.

The peak-to-peak output voltage ripple is determined by the oscillator frequency, and the capacitance and ESR of the output capacitor  $C_2$ :

$$V_{ripple} = \frac{I_L}{f_{osc} \times C_2} + 2 \times I_L \times ESR_{C2}$$

Again, using a low ESR capacitor will result in lower ripple.

### POSITIVE VOLTAGE DOUBLER

The LM2662/LM2663 can operate as a positive voltage doubler (as shown in the Basic Application Circuits). The doubling function is achieved by reversing some of the connections to the device. The input voltage is applied to the GND pin with an allowable voltage from 2.5V to 5.5V. The  $V_+$  pin is used as the output. The LV pin and OUT pin must be connected to ground. The OSC pin can not be driven by an external clock in this operation mode. The unloaded output voltage is twice of the input voltage and is not reduced by the diode  $D_1$ 's forward drop.

The Schottky diode  $D_1$  is only needed for start-up. The internal oscillator circuit uses the  $V_+$  pin and the LV pin (connected to ground in the voltage doubler circuit) as its power rails. Voltage across  $V_+$  and LV must be larger than 1.5V to insure the operation of the oscillator. During start-up,  $D_1$  is used to charge up the voltage at  $V_+$  pin to start the oscillator; also, it protects the device from turning-on its own parasitic

diode and potentially latching-up. Therefore, the Schottky diode  $D_1$  should have enough current carrying capability to charge the output capacitor at start-up, as well as a low forward voltage to prevent the internal parasitic diode from turning-on. A Schottky diode like 1N5817 can be used for most applications. If the input voltage ramp is less than 10V/ms, a smaller Schottky diode like MBR0520LT1 can be used to reduce the circuit size.

### SPLIT $V_+$ IN HALF

Another interesting application shown in the Basic Application Circuits is using the LM2662/LM2663 as a precision voltage divider. Since the off-voltage across each switch equals  $V_{IN}/2$ , the input voltage can be raised to +11V.

### CHANGING OSCILLATOR FREQUENCY

For the LM2662, the internal oscillator frequency can be selected using the Frequency Control (FC) pin. When FC is open, the oscillator frequency is 20 kHz; when FC is connected to  $V_+$ , the frequency increases to 150 kHz. A higher oscillator frequency allows smaller capacitors to be used for equivalent output resistance and ripple, but increases the typical supply current from 0.3 mA to 1.3 mA.

The oscillator frequency can be lowered by adding an external capacitor between OSC and GND (See typical performance characteristics). Also, in the inverter mode, an external clock that swings within 100 mV of  $V_+$  and GND can be used to drive OSC. Any CMOS logic gate is suitable for driving OSC. LV must be grounded when driving OSC. The maximum external clock frequency is limited to 150 kHz.

The switching frequency of the converter (also called the charge pump frequency) is half of the oscillator frequency.

**Note:** OSC cannot be driven by an external clock in the voltage-doubling mode.

TABLE 1. LM2662 Oscillator Frequency Selection

FC	OSC	Oscillator
Open	Open	20 kHz
$V_+$	Open	150 kHz
Open or $V_+$	External Capacitor	See Typical Performance Characteristics
N/A	External Clock (inverter mode only)	External Clock Frequency

TABLE 2. LM2663 Oscillator Frequency Selection

OSC	Oscillator
Open	150 kHz
External Capacitor	See Typical Performance Characteristics
External Clock	External Clock Frequency
(inverter mode only)	

### SHUTDOWN MODE

For the LM2663, a shutdown (SD) pin is available to disable the device and reduce the quiescent current to 10  $\mu$ A. Applying a voltage greater than 2V to the SD pin will bring the device into shutdown mode. While in normal operating mode, the SD pin is connected to ground.

## Application Information (Continued)

### CAPACITOR SELECTION

As discussed in the *Simple Negative Voltage Converter* section, the output resistance and ripple voltage are dependent on the capacitance and ESR values of the external capacitors. The output voltage drop is the load current times the output resistance, and the power efficiency is

$$\eta = \frac{P_{out}}{P_{in}} = \frac{I_L^2 R_L}{I_L^2 R_L + I_L^2 R_{out} + I_Q(V+)}$$

Where  $I_Q(V+)$  is the quiescent power loss of the IC device, and  $I_L^2 R_{OUT}$  is the conversion loss associated with the switch on-resistance, the two external capacitors and their ESRs.

Low ESR capacitors (Table 3) are recommended for both capacitors to maximize efficiency, reduce the output voltage drop and voltage ripple. For convenience,  $C_1$  and  $C_2$  are usually chosen to be the same.

The output resistance varies with the oscillator frequency and the capacitors. In Figure 3, the output resistance vs. oscillator frequency curves are drawn for four different capacitor values. At very low frequency range, capacitance plays the most important role in determining the output resistance. Once the frequency is increased to some point (such as 100 kHz for the 47  $\mu\text{F}$  capacitors), the output resistance is dominated by the ON resistance of the internal switches and the ESRs of the external capacitors. A low value, smaller size capacitor usually has a higher ESR compared with a bigger size capacitor of the same type. Ceramic capacitors can be chosen for their lower ESR. As shown in Figure 3, in higher frequency range, the output resistance using the 10  $\mu\text{F}$  ceramic capacitors is close to these using higher value tantalum capacitors.

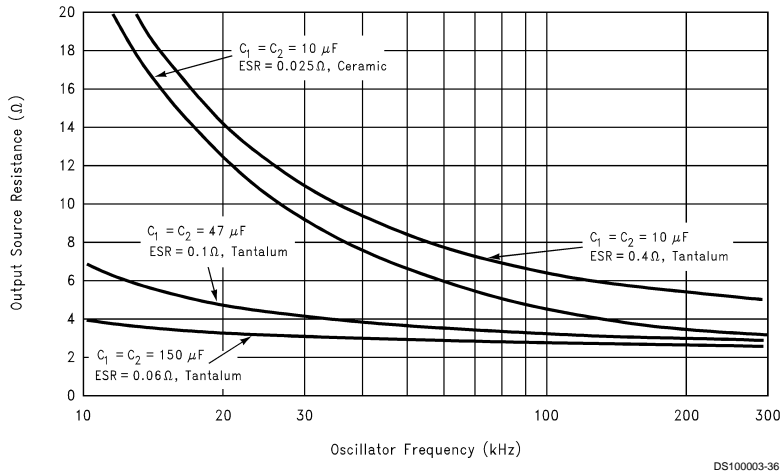


FIGURE 3. Output Source Resistance vs Oscillator Frequency

TABLE 3. Low ESR Capacitor Manufacturers

Manufacturer	Phone	Capacitor Type
Nichicon Corp.	(708)-843-7500	PL, PF series, through-hole aluminum electrolytic
AVX Corp.	(803)-448-9411	TPS series, surface-mount tantalum
Sprague	(207)-324-4140	593D, 594D, 595D series, surface-mount tantalum
Sanyo	(619)-661-6835	OS-CON series, through-hole aluminum electrolytic
Murata	(800)-831-9172	Ceramic chip capacitors
Taiyo Yuden	(800)-348-2496	Ceramic chip capacitors
Tokin	(408)-432-8020	Ceramic chip capacitors



## Other Applications

### PARALLELING DEVICES

Any number of LM2662s (or LM2663s) can be paralleled to reduce the output resistance. Each device must have its own pumping capacitor  $C_1$ , while only one output capacitor  $C_{out}$  is needed as shown in *Figure 4*. The composite output resistance is:

$$R_{out} = \frac{R_{out \text{ of each LM2662 (or LM2663)}}{\text{Number of Devices}}$$

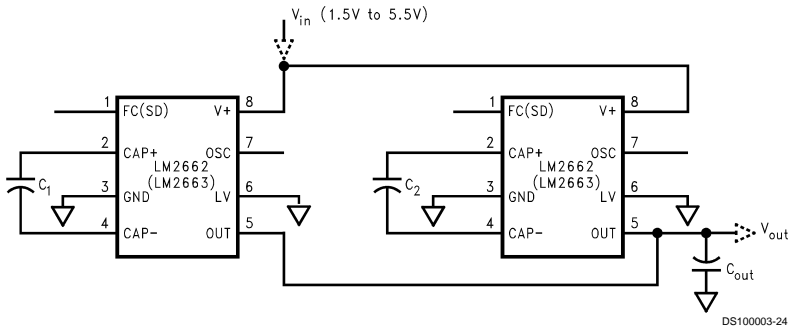


FIGURE 4. Lowering Output Resistance by Paralleling Devices

### CASCADING DEVICES

Cascading the LM2662s (or LM2663s) is an easy way to produce a greater negative voltage (as shown in *Figure 5*). If  $n$  is the integer representing the number of devices cascaded, the unloaded output voltage  $V_{out}$  is  $(-nV_{in})$ . The effective output resistance is equal to the weighted sum of each individual device:

$$R_{out} = nR_{out\_1} + \frac{n}{2}R_{out\_2} + \dots + R_{out\_n}$$

A three-stage cascade circuit shown in *Figure 6* generates  $-3V_{in}$  from  $V_{in}$ .

Cascading is also possible when devices are operating in doubling mode. In *Figure 7*, two devices are cascaded to generate  $3V_{in}$ .

An example of using the circuit in *Figure 6* or *Figure 7* is generating  $+15V$  or  $-15V$  from a  $+5V$  input.

Note that, the number of  $n$  is practically limited since the increasing of  $n$  significantly reduces the efficiency and increases the output resistance and output voltage ripple.

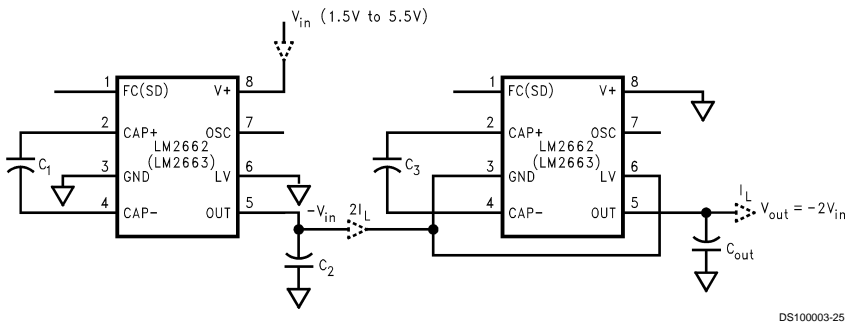


FIGURE 5. Increasing Output Voltage by Cascading Devices

## Other Applications (Continued)

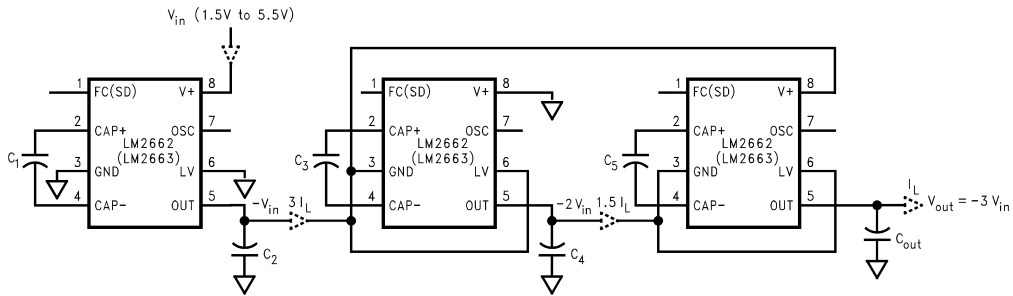


FIGURE 6. Generating  $-3V_{in}$  from  $+V_{in}$

DS100003-26

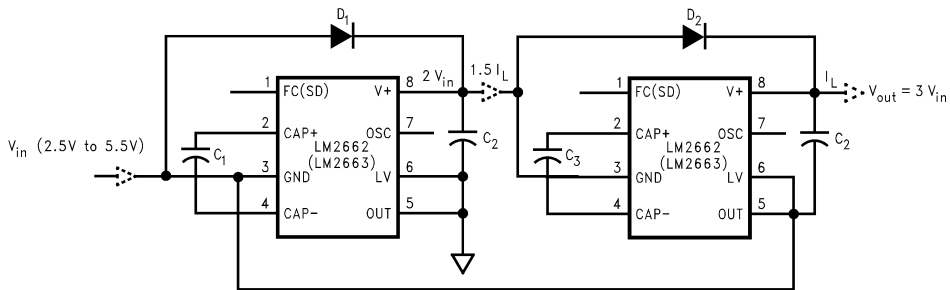


FIGURE 7. Generating  $+3V_{in}$  from  $+V_{in}$

DS100003-27

### REGULATING $V_{out}$

It is possible to regulate the output of the LM2662/LM2663 by use of a low dropout regulator (such as LP2986). The whole converter is depicted in Figure 8. This converter can give a regulated output from  $-1.5V$  to  $-5.5V$  by choosing the proper resistor ratio:

$$V_{out} = V_{ref} \left( 1 + \frac{R_1}{100k} \right)$$

where,  $V_{ref} = 1.23V$

The error flag on pin 7 of the LP2986 goes low when the regulated output at pin 5 drops by about 5% below nominal. The LP2986 can be shutdown by taking pin 8 low. The less than 1  $\mu A$  quiescent current in the shutdown mode is favorable for battery powered applications.

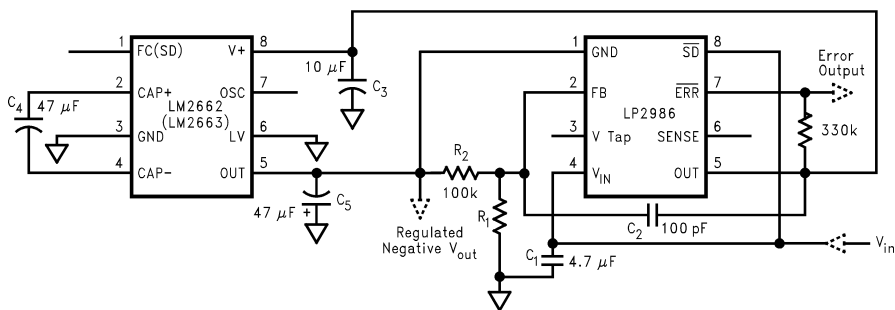
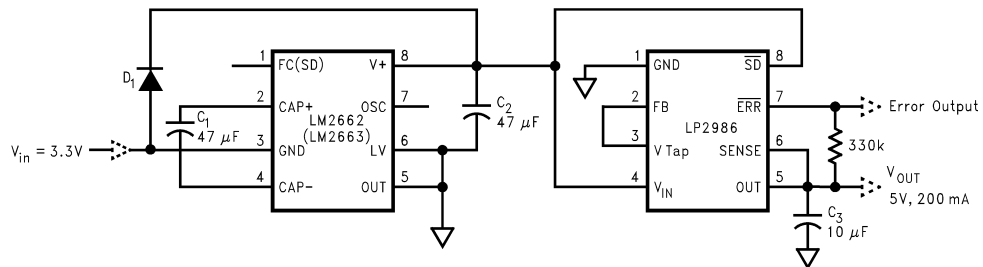


FIGURE 8. Combining LM2662/LM2663 with LP2986 to Make a Negative Adjustable Regulator

DS100003-28

## Other Applications (Continued)

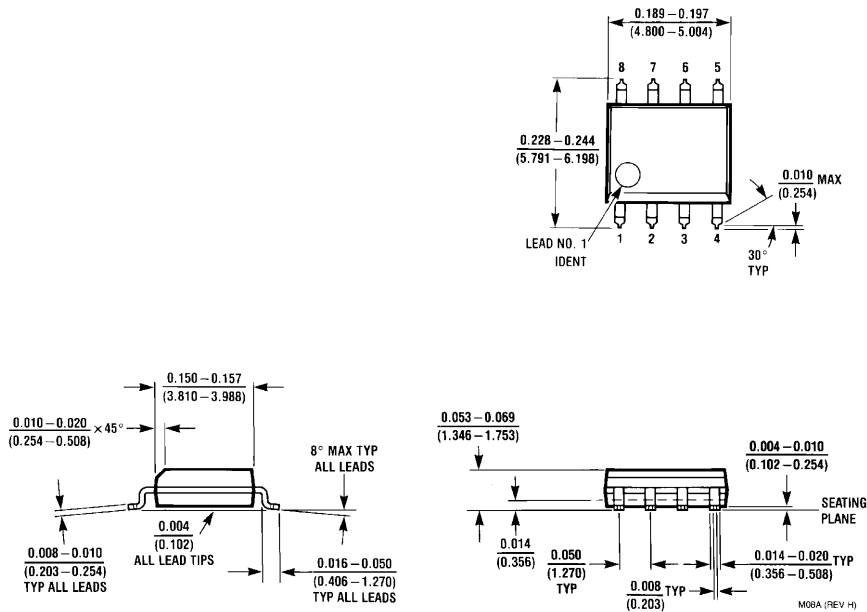
Also, as shown in *Figure 9* by operating the LM2662/LM2663 in voltage doubling mode and adding a low dropout regulator (such as LP2986) at the output, we can get +5V output from an input as low as +3.3V.



DS100003-29

FIGURE 9. Generating +5V from +3.3V Input Voltage

**Physical Dimensions** inches (millimeters) unless otherwise noted



**8-Lead SO (M)**  
**Order Number LM2662M or LM2663M**  
**NS Package Number M08A**

**LIFE SUPPORT POLICY**

NATIONAL'S PRODUCTS ARE NOT AUTHORIZED FOR USE AS CRITICAL COMPONENTS IN LIFE SUPPORT DEVICES OR SYSTEMS WITHOUT THE EXPRESS WRITTEN APPROVAL OF THE PRESIDENT OF NATIONAL SEMICONDUCTOR CORPORATION. As used herein:

1. Life support devices or systems are devices or systems which, (a) are intended for surgical implant into the body, or (b) support or sustain life, and whose failure to perform when properly used in accordance with instructions for use provided in the labeling, can be reasonably expected to result in a significant injury to the user.
2. A critical component in any component of a life support device or system whose failure to perform can be reasonably expected to cause the failure of the life support device or system, or to affect its safety or effectiveness.



**National Semiconductor Corporation**  
 Americas  
 Tel: 1-800-272-9959  
 Fax: 1-800-737-7018  
 Email: support@nsc.com

**National Semiconductor Europe**  
 Fax: +49 (0) 1 80-530 85 86  
 Email: europe.support@nsc.com  
 Deutsch Tel: +49 (0) 1 80-530 85 85  
 English Tel: +49 (0) 1 80-532 78 32  
 Français Tel: +49 (0) 1 80-532 93 58  
 Italiano Tel: +49 (0) 1 80-534 16 80

**National Semiconductor Asia Pacific Customer Response Group**  
 Tel: 65-2544466  
 Fax: 65-2504466  
 Email: sea.support@nsc.com

**National Semiconductor Japan Ltd.**  
 Tel: 81-3-5639-7560  
 Fax: 81-3-5639-7507

www.national.com

Copyright © Each Manufacturing Company.

All Datasheets cannot be modified without permission.

This datasheet has been download from :

[www.AllDataSheet.com](http://www.AllDataSheet.com)

100% Free DataSheet Search Site.

Free Download.

No Register.

Fast Search System.

[www.AllDataSheet.com](http://www.AllDataSheet.com)