



February 1995

LM3303/LM3403 Quad Operational Amplifiers

General Description

The LM3303 and LM3403 are monolithic quad operational amplifiers consisting of four independent high gain, internally frequency compensated, operational amplifiers designed to operate from a single power supply or dual power supplies over a wide range of voltages. The common mode input range includes the negative supply, thereby eliminating the necessity for external biasing components in many applications.

- Four internally compensated operational amplifiers in a single package
- Wide power supply range single supply of 3.0V to 36V dual supply of $\pm 1.5V$ to $\pm 18V$
- Class AB output stage for minimal crossover distortion
- Short circuit protected outputs
- High open loop gain 200k
- LM741 operational amplifier type performance

Features

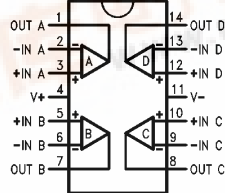
- Input common mode voltage range includes ground or negative supply
- Output voltage can swing to ground or negative supply

Applications

- Filters
- Voltage controlled oscillators

Connection Diagram

14-Lead DIP and SO-14 Package



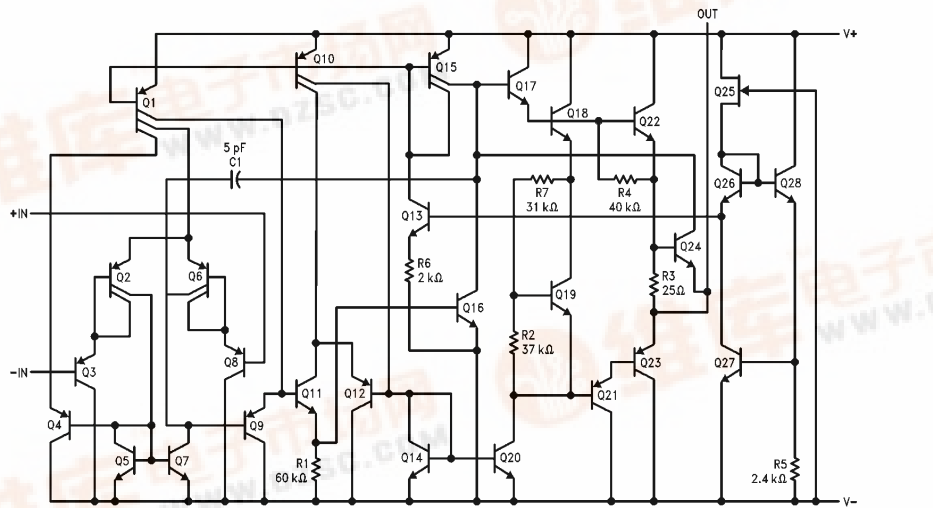
Top View

TL/H/10064-1

Order Information

Device Code	Package Code	Package Description
LM3303J	J14A	Ceramic DIP
LM3303N	N14A	Molded DIP
LM3303M	M14A	Molded Surface Mount
LM3403J	J14A	Ceramic DIP
LM3403N	N14A	Molded DIP
LM3403M	M14A	Molded Surface Mount

Equivalent Circuit (1/4 of Circuit)



TL/H/10064-2



Absolute Maximum Ratings

If Military/Aerospace specified devices are required, please contact the National Semiconductor Sales Office/Distributors for availability and specifications.

Storage Temperature Range		Internal Power Dissipation (Notes 1, 2)	
Ceramic DIP	-65°C to +175°C	14L-Ceramic DIP	1.36W
Molded DIP and SO-14	-65°C to +150°C	14L-Molded DIP	1.04W
		SO-14	0.93W
Operating Temperature Range		Supply Voltage between V+ and V-	36V
Industrial (LM3303)	-40°C to +85°C	Differential Input Voltage (Note 3)	±30V
Commercial (LM3403)	0°C to +70°C	Input Voltage	(V-) - 0.3V to V+
Lead Temperature		ESD Tolerance	(To Be Determined)
Ceramic DIP (Soldering, 60 sec.)	300°C		
Molded DIP and SO-14 (Soldering, 10 sec.)	265°C		

LM3303 and LM3403

Electrical Characteristics $T_A = 25^\circ\text{C}$, $V_{CC} = \pm 15\text{V}$, unless otherwise specified

Symbol	Parameter		Conditions	LM3303			LM3403			Units
				Min	Typ	Max	Min	Typ	Max	
V_{IO}	Input Offset Voltage				2.0	8.0		2.0	8.0	mV
I_{IO}	Input Offset Current				30	75		30	50	nA
I_{IB}	Input Bias Current				200	500		200	500	nA
Z_I	Input Impedance			0.3	1.0		0.3	1.0		M Ω
I_{CC}	Supply Current		$V_O = 0\text{V}$, $R_L = \infty$		2.8	7.0		2.8	7.0	mA
CMR	Common Mode Rejection		$R_S \leq 10\text{ k}\Omega$	70	90		70	90		dB
V_{IR}	Input Voltage Range			+12V to V-	+12.5V to V-		+13V to V-	+13.5V to V-		V
PSRR	Power Supply Rejection Ratio				30	150		30	150	$\mu\text{V}/\text{V}$
I_{OS}	Output Short Circuit Current (Per Amplifier) (Note 4)			±10	±30	±45	±10	±30	±45	mA
A_{VS}	Large Signal Voltage Gain		$V_O = \pm 10\text{V}$, $R_L \geq 2.0\text{ k}\Omega$	20	200		20	200		V/mV
V_{OP}	Output Voltage Swing		$R_L = 10\text{ k}\Omega$	±12	12.5		±12	+13.5		V
			$R_L = 2.0\text{ k}\Omega$	±10	12		±10	±13		
TR	Transient Response	Rise Time/ Fall Time	$V_O = 50\text{ mV}$, $A_V = 1.0$, $R_L = 10\text{ k}\Omega$		0.3			0.3		μs
		Overshoot	$V_O = 50\text{ mV}$, $A_V = 1.0$, $R_L = 10\text{ k}\Omega$		5.0			5.0		%
BW	Bandwidth		$V_O = 50\text{ mV}$, $A_V = 1.0$, $R_L = 10\text{ k}\Omega$		1.0			1.0		MHz
SR	Slew Rate		$V_I = -10\text{V to } +10\text{V}$, $A_V = 1.0$		0.6			0.6		V/ μs

LM3303 and LM3403 (Continued)

Electrical Characteristics $T_A = 25^\circ\text{C}$, $V_{CC} = \pm 15\text{V}$, unless otherwise specified

The following specifications apply for $-40^\circ\text{C} \leq T_A \leq +85^\circ\text{C}$ for the LM3303, and $0^\circ\text{C} \leq T_A \leq +70^\circ\text{C}$ for the LM3403

Symbol	Parameter	Conditions	LM3303			LM3403			Units
			Min	Typ	Max	Min	Typ	Max	
V_{IO}	Input Offset Voltage				10			10	mV
$\Delta V_{IO}/\Delta T$	Input Offset Voltage Temperature Sensitivity			10			10		$\mu\text{V}/^\circ\text{C}$
I_{IO}	Input Offset Current				250			200	nA
$\Delta I_{IO}/\Delta T$	Input Offset Current Temperature Sensitivity			50			50		$\text{pA}/^\circ\text{C}$
I_{IB}	Input Bias Current				1000			800	nA
A_{VS}	Large Signal Voltage Gain	$V_O = \pm 10\text{V}$, $R_L \geq 2.0\text{ k}\Omega$	15			15			V/mV
V_{OP}	Output Voltage Swing	$R_L = 2.0\text{ k}\Omega$	± 10			± 10			V

LM3303 and LM3403

Electrical Characteristics $T_A = 25^\circ\text{C}$, $V_+ = 5.0\text{V}$, $V_- = \text{GND}$, unless otherwise specified

Symbol	Parameter	Conditions	LM3303			LM3403			Units
			Min	Typ	Max	Min	Typ	Max	
V_{IO}	Input Offset Voltage				8.0		2.0	8.0	mV
I_{IO}	Input Offset Current				75		30	50	nA
I_{IB}	Input Bias Current				500		200	500	nA
I_{CC}	Supply Current			2.5	7.0		2.5	7.0	mA
PSRR	Power Supply Rejection Ratio				150			150	$\mu\text{V}/\text{V}$
A_{VS}	Large Signal Voltage Gain	$R_L \geq 2.0\text{ k}\Omega$	20	200		20	200		V/mV
V_{OP}	Output Voltage Swing (Note 5)	$R_L = 10\text{ k}\Omega$	3.3			3.3			V
		$5.0\text{V} \leq V_+ \leq 30\text{V}$, $R_L = 10\text{ k}\Omega$	(V+) -2.0			(V+) -2.0			
CS	Channel Separation	$1.0\text{ Hz} \leq f \leq 20\text{ kHz}$ (Input Referenced)		-120			-120		dB

Note 1: $T_{J\text{Max}} = 150^\circ\text{C}$ for the Molded DIP and SO-14, and 175°C for the Ceramic DIP.

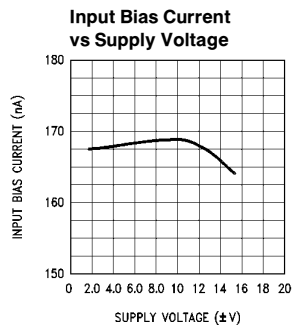
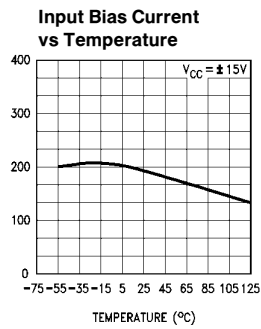
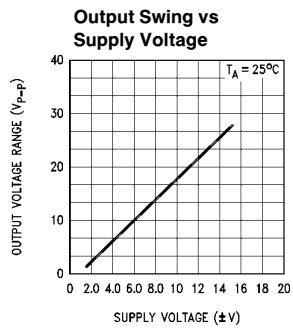
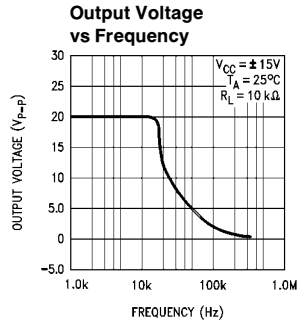
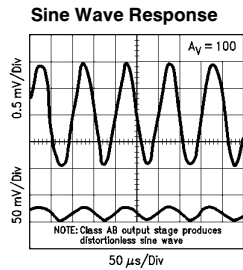
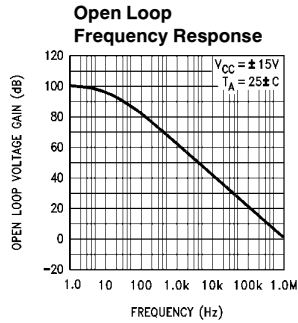
Note 2: Ratings apply to ambient temperature at 25°C . Above this temperature, derate the 14L-Ceramic DIP at $9.1\text{ mW}/^\circ\text{C}$, the 14L-Molded DIP at $8.3\text{ mW}/^\circ\text{C}$, and the SO-14 at $7.5\text{ mW}/^\circ\text{C}$.

Note 3: For supply voltage less than 30V between V_+ and V_- , the absolute maximum input voltage is equal to the supply voltage.

Note 4: Not to exceed maximum package power dissipation.

Note 5: Output will swing to ground.

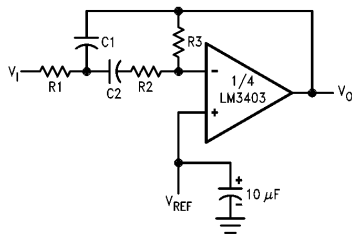
Typical Performance Characteristics



TL/H/10064-3

Typical Applications

Multiple Feedback Bandpass Filter



TL/H/10064-4

f_o = center frequency
 BW = Bandwidth
 R in kΩ
 C in μF

$$Q = \frac{f_o}{BW} < 10$$

$$C1 = C2 = \frac{Q}{3}$$

$R1 = R2 = 1 \text{ R3} = 9Q^2 - 1$ } Using scaling factors in these expressions.

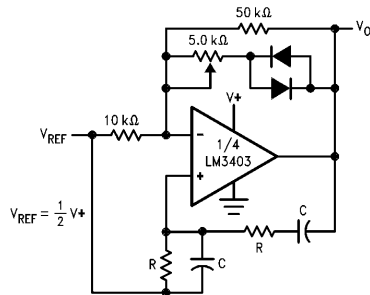
If source impedance is high or varies, filter may be preceded with voltage follower buffer to stabilize filter parameters.

Design example:

given: $Q = 5$, $f_o = 1 \text{ kHz}$
 Let $R1 = R2 = 10 \text{ k}\Omega$
 then $R3 = 9(5)^2 - 10$
 $R3 = 215 \text{ k}\Omega$

$$C = \frac{5}{3} = 1.6 \text{ nF}$$

Wein Bridge Oscillator

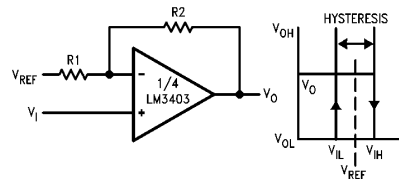


TL/H/10064-5

$$f_o = \frac{1}{2\pi RC} \text{ for } f_o = 1 \text{ kHz}$$

$R = 16 \text{ k}\Omega$
 $C = 0.01 \text{ }\mu\text{F}$

Comparator with Hysteresis



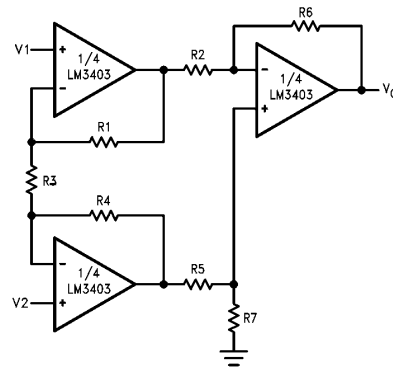
TL/H/10064-6

$$V_{IL} = \frac{R1}{R1 + R2} (V_{OL} - V_{REF}) + V_{REF}$$

$$V_{IH} = \frac{R1}{R1 + R2} (V_{OH} - V_{REF}) + V_{REF}$$

$$H = \frac{R1}{R1 + R2} (V_{OH} - V_{OL})$$

High Impedance Differential Amplifier



TL/H/10064-7

$$V_{OUT} = C(1 + a + b)(V2 - V1)$$

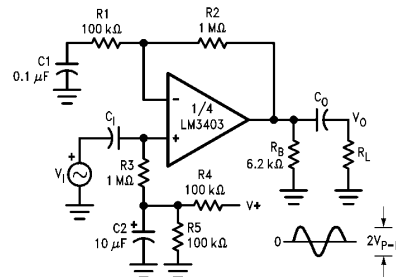
$$\frac{R2}{R5} = \frac{R6}{R7} \text{ for best CMRR}$$

$$R1 = R4$$

$$R2 = R5$$

$$\text{Gain} = \frac{R6}{R5} \left(1 + \frac{2R1}{R3} \right) = C(1 + a + b)$$

AC Coupled Non-Inverting Amplifier



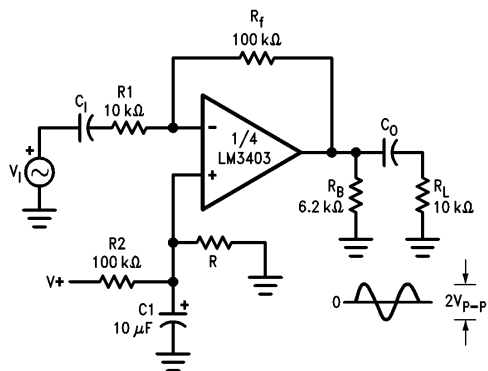
TL/H/10064-9

$$A_v = 1 + \frac{R2}{R1}$$

$$A_v = 11 \text{ (as shown)}$$

Typical Applications (Continued)

AC Coupled Inverting Amplifier

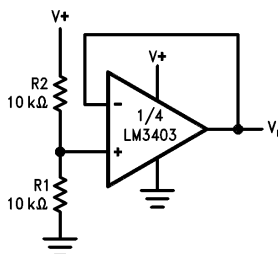


TL/H/10064-8

$$A_V = \frac{R_f}{R_1}$$

$A_V = 10$ (as shown)

Voltage Reference

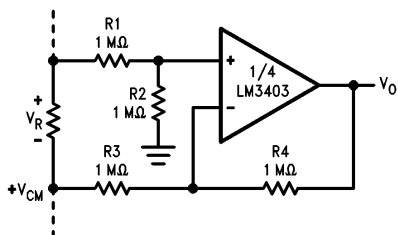


TL/H/10064-10

$$V_O = \frac{R_1}{R_1 + R_2} \left(= \frac{V_+}{2} \text{ as shown} \right)$$

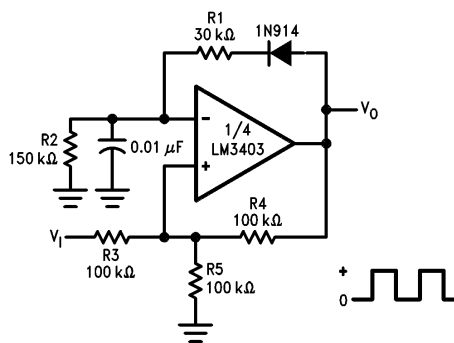
$$V_O = \frac{1}{2} V_+$$

Ground Referencing a Differential Input Signal



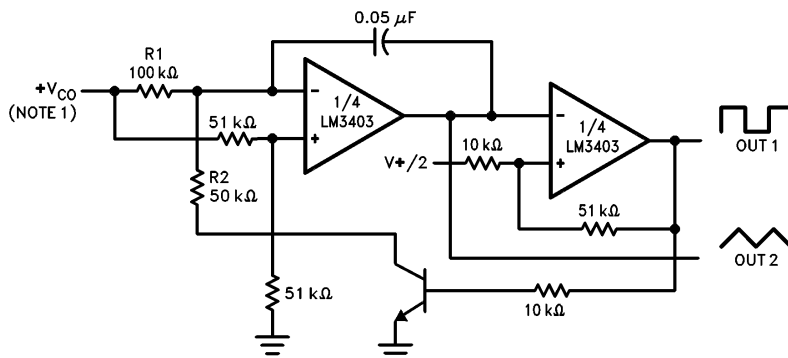
TL/H/10064-11

Pulse Generator



TL/H/10064-14

Voltage Controlled Oscillator

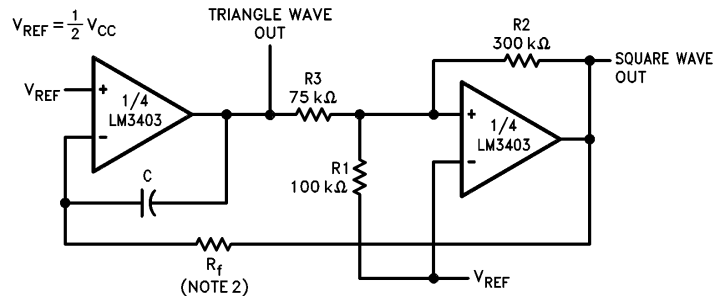


TL/H/10064-12

Note 1: Wide Control Voltage Range:
 $0V \leq V_{CO} \leq 2(V \pm 1.5V)$

Typical Applications (Continued)

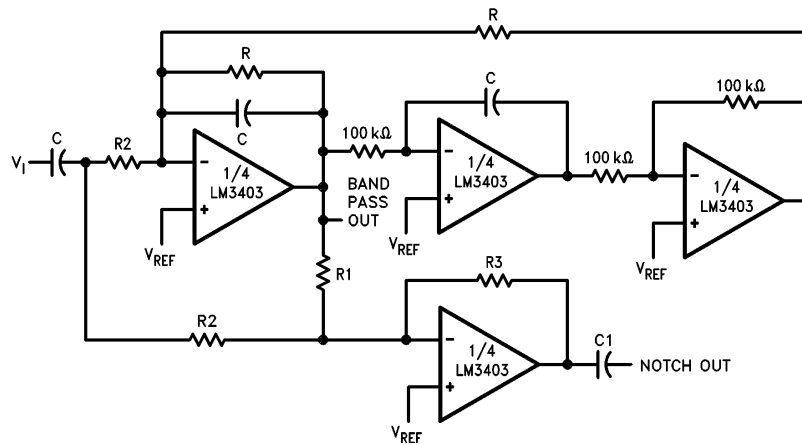
Function Generator



TL/H/10064-13

Note 2: $f = \frac{R1 + R2}{4CR1R1}$ if $R3 = \frac{R2R1}{R2 + R1}$

Bi-Quad Filter



TL/H/10064-15

$$Q = \frac{BW}{f_0}$$

where:

T_{BP} = Center Frequency Gain
 T_N = Bandpass Notch Gain

$$f_0 = \frac{1}{2\pi RC}, V_{REF} = \frac{1}{2} V_{CC}$$

$$R1 = QR$$

$$R2 = \frac{R1}{T_{BP}}$$

$$R3 = T_N R2$$

$$C1 = 10 C$$

Example:

$$f_0 = 1000 \text{ Hz}$$

$$BW = 100 \text{ Hz}$$

$$T_{BP} = 1$$

$$T_N = 1$$

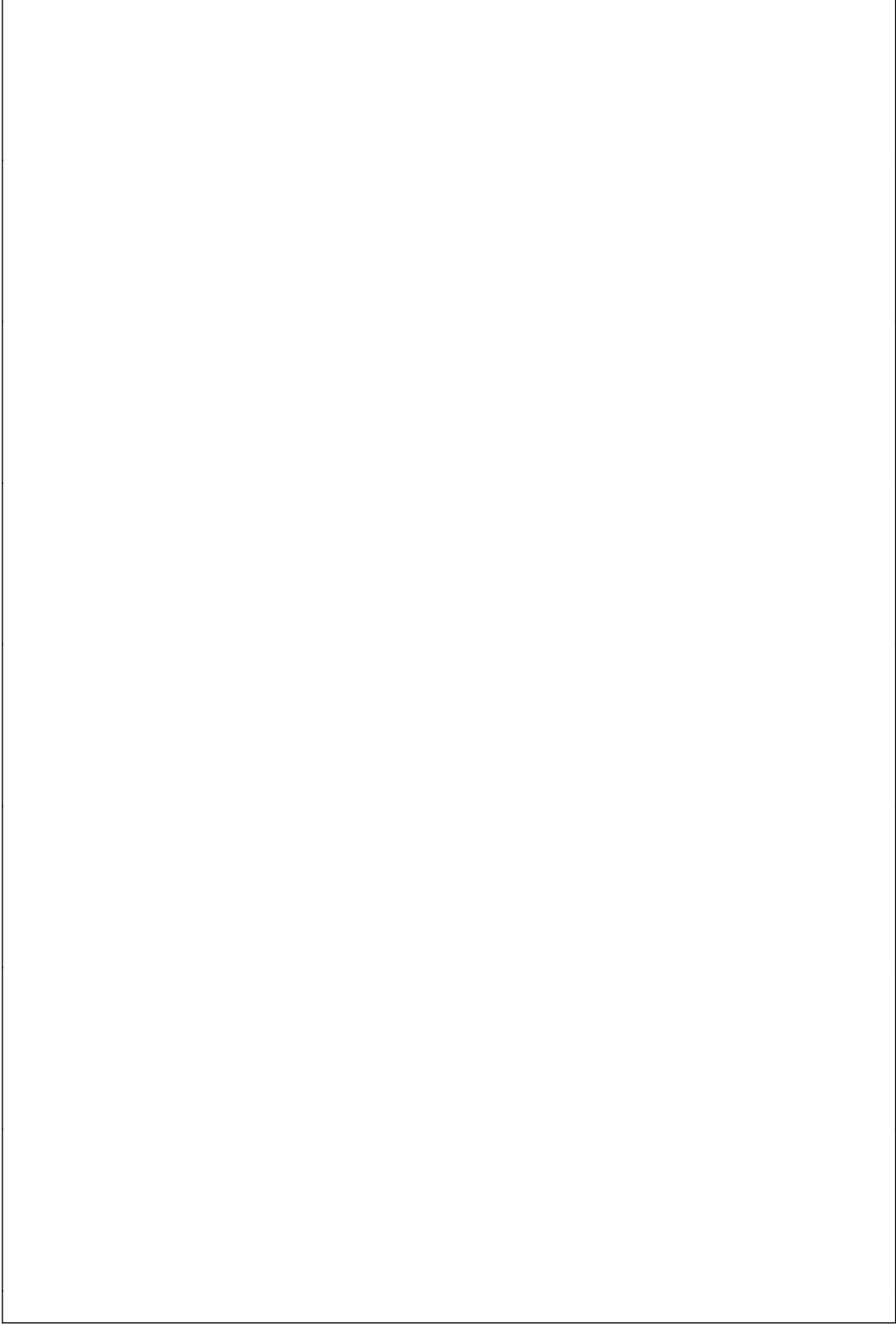
$$R = 160 \text{ k}\Omega$$

$$R1 = 1.6 \text{ M}\Omega$$

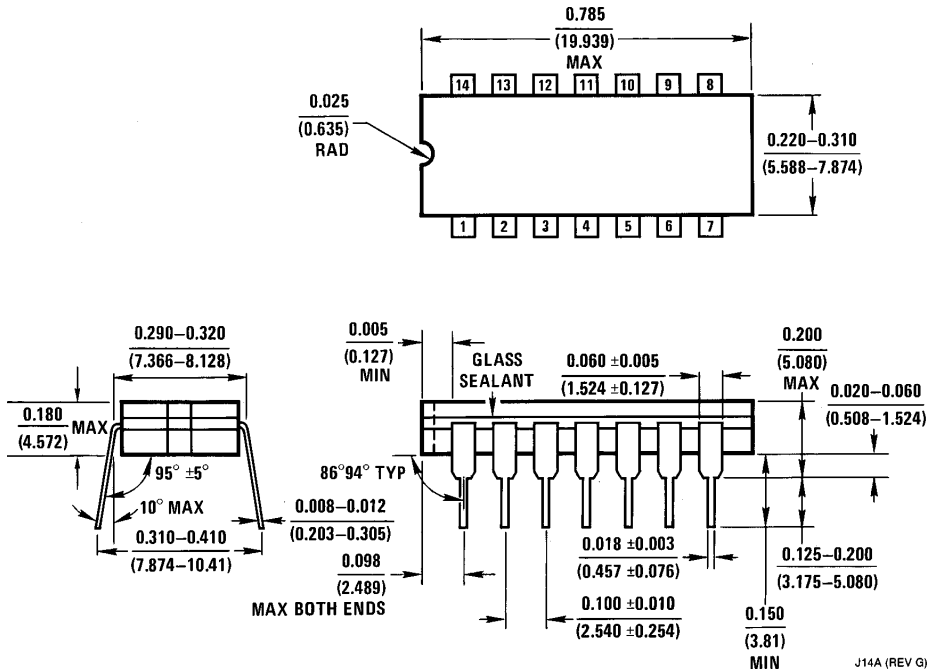
$$R2 = 1.6 \text{ M}\Omega$$

$$R3 = 1.6 \text{ M}\Omega$$

$$C = 0.001 \text{ }\mu\text{F}$$

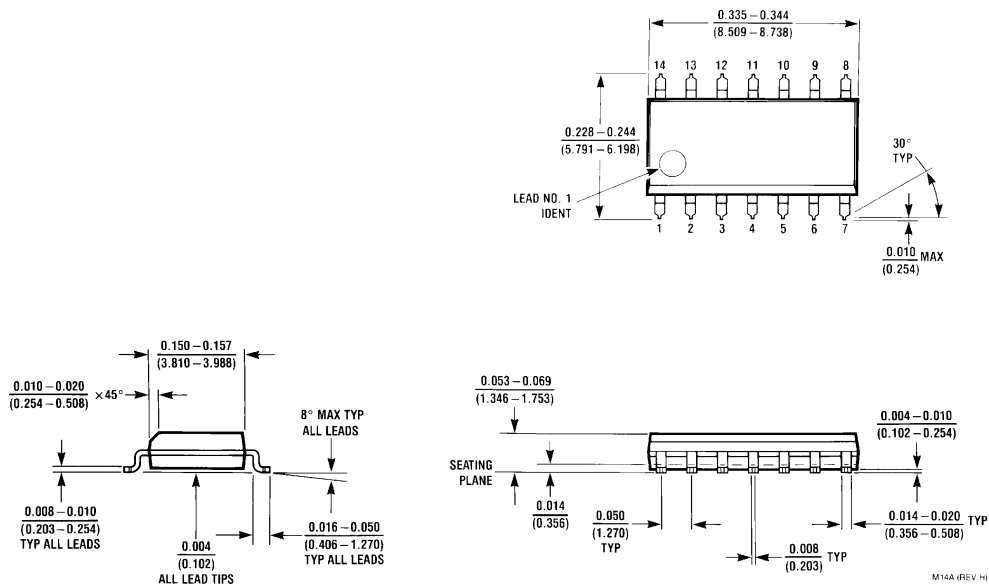


Physical Dimensions inches (millimeters)



14-Lead Ceramic Dual-In-Line Package (J)
 Order Number LM3303J or LM3403J
 NS Package Number J14A

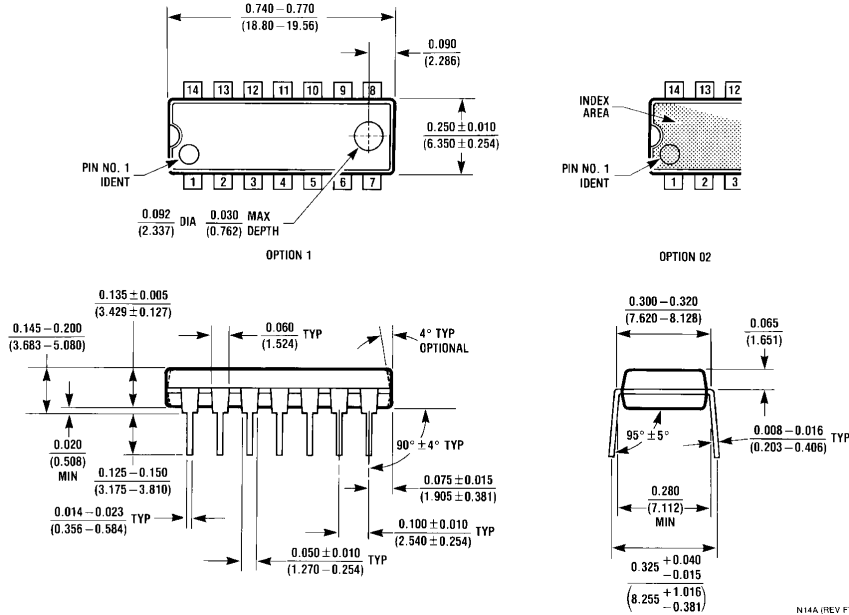
J14A (REV G)



14-Lead Molded Surface Mount (M)
 Order Number LM3403M
 NS Package Number M14A

M14A (REV H)

Physical Dimensions inches (millimeters) (Continued)



14-Lead Molded Dual-In-Line Package (N)
Order Number LM3303N or LM3403N
NS Package Number N14A

LIFE SUPPORT POLICY

NATIONAL'S PRODUCTS ARE NOT AUTHORIZED FOR USE AS CRITICAL COMPONENTS IN LIFE SUPPORT DEVICES OR SYSTEMS WITHOUT THE EXPRESS WRITTEN APPROVAL OF THE PRESIDENT OF NATIONAL SEMICONDUCTOR CORPORATION. As used herein:

1. Life support devices or systems are devices or systems which, (a) are intended for surgical implant into the body, or (b) support or sustain life, and whose failure to perform, when properly used in accordance with instructions for use provided in the labeling, can be reasonably expected to result in a significant injury to the user.
2. A critical component is any component of a life support device or system whose failure to perform can be reasonably expected to cause the failure of the life support device or system, or to affect its safety or effectiveness.



National Semiconductor Corporation
 1111 West Bardin Road
 Arlington, TX 76017
 Tel: 1(800) 272-9959
 Fax: 1(800) 737-7018

National Semiconductor Europe
 Fax: (+49) 0-180-530 85 86
 Email: cnjwge@tevm2.nsc.com
 Deutsch Tel: (+49) 0-180-530 85 85
 English Tel: (+49) 0-180-532 78 32
 Français Tel: (+49) 0-180-532 93 58
 Italiano Tel: (+49) 0-180-534 16 80

National Semiconductor Hong Kong Ltd.
 13th Floor, Straight Block,
 Ocean Centre, 5 Canton Rd.
 Tsimshatsui, Kowloon
 Hong Kong
 Tel: (852) 2737-1600
 Fax: (852) 2736-9960

National Semiconductor Japan Ltd.
 Tel: 81-043-299-2309
 Fax: 81-043-299-2408

National does not assume any responsibility for use of any circuitry described, no circuit patent licenses are implied and National reserves the right at any time without notice to change said circuitry and specifications.