

M51326P

Analog switch

REJ03F0079-0100Z

Rev.1.0

Sep.22.2003

Description

The M51326P is a semiconductor integrated circuit for use as an analog switch in image-handling equipment. The IC incorporates two audio switches, one with two and one with three inputs, and one video switch with two inputs. Each switch is independently controllable.

Features

- Built-in analog switches for use with video signals and stereo audio signals
- Wide video-switch bandwidth: DC to 10 MHz
- Good crosstalk characteristics (for video): 55 dB (typ.) @5 MHz

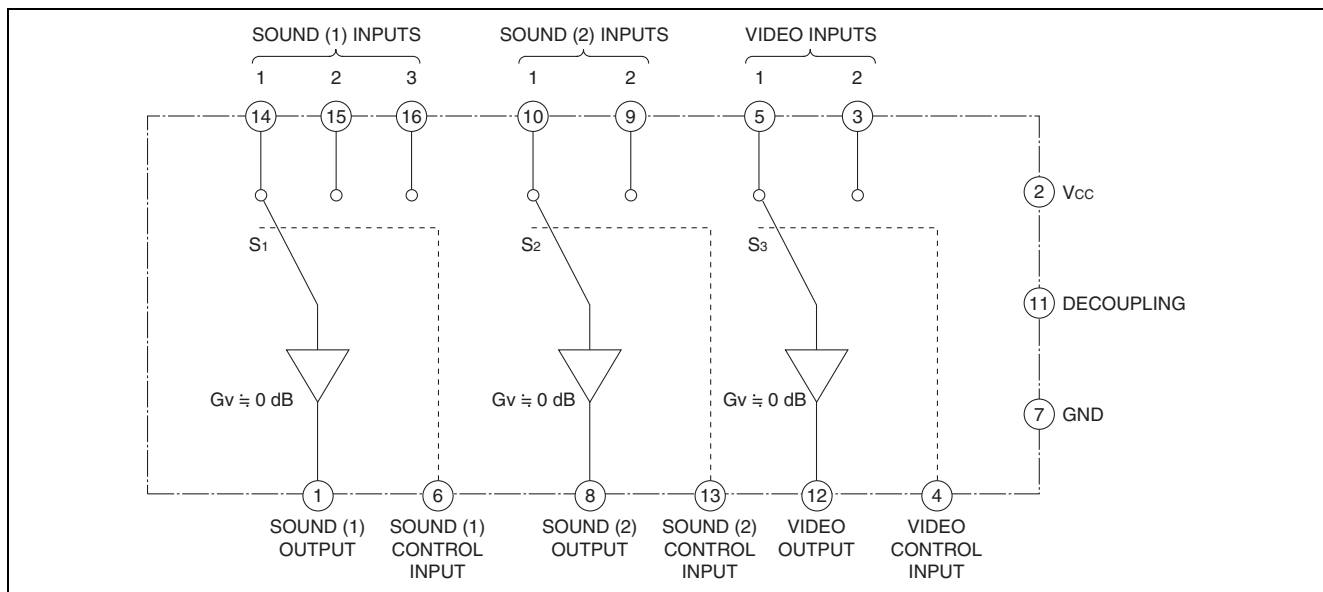
Applications

- Video equipment

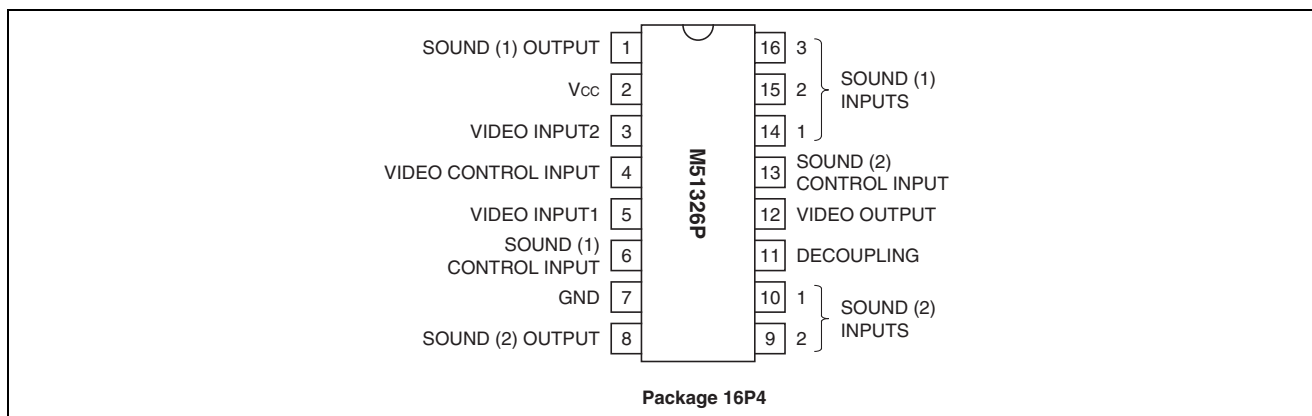
Recommended operating condition

- Power-supply-voltage range: 5 to 14 V
- Rated power-supply voltage: 9 V, 12 V

Block diagram



Pin Configuration



Absolute maximum ratings

(unless otherwise noted, $T_a = 25^\circ\text{C}$, $V_{cc} = 12\text{ V}$)

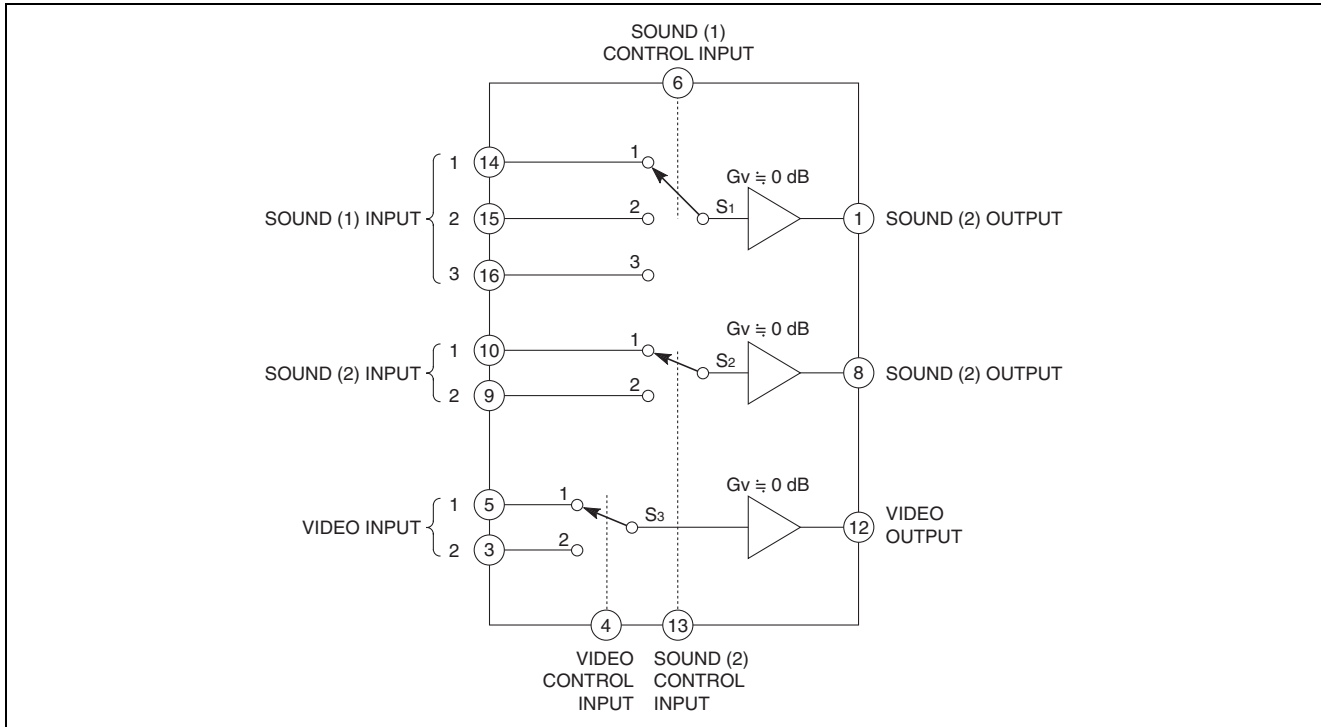
Symbol	Item	Ratings	Unit
V_{cc}	Power-supply voltage	14	V
V_{is}	Input signal voltage	6	V
V_{ic}	Input control voltage	V_{cc}	V
P_d	Power dissipation	1.25	W
$K\theta$	Thermal derating	1.25	mW / $^\circ\text{C}$
T_{opr}	Ambient operating temperature	-20 to +75	$^\circ\text{C}$
T_{stg}	Storage temperature	-40 to +125	$^\circ\text{C}$

Electrical characteristics

(unless otherwise noted, $T_a = 25^\circ\text{C}$, $V_{cc} = 12\text{ V}$)

Symbol	Item	Measured condition	Limits			Unit
			Min.	Typ.	Max.	
I_{cc}	Circuit current		-	28	36	mA
V_{IDC}	Input bias voltage		3.8	4.2	4.6	V
V_{ODC}	Output bias voltage		3.0	3.6	4.2	V
ΔV_{ODC}	Output DC offset voltage		-	15	100	mV
V_{ICH}	Control-pin threshold voltage	For audio (1) (pin 6 tri - state input)	7.0	8.0	9.0	V
V_{ICL}		For audio (1) (pin 6 tri - state input)	3.0	4.0	5.0	V
V_{ic}		For audio (2) and images (pins 4, 13)	1.7	2.1	2.5	V
G_v	Voltage gain	$f = 1\text{ kHz}$,	-0.5	-0.1	-	dB
THD	Total harmonic distortion	For audio, $f = 1\text{ kHz}$, $V_o = 1\text{ Vrms}$	-	0.02	0.2	%
V_N	Output noise voltage	For audio, $R_g = 600\ \Omega$, bandwidth = 15 kHz	-	3	50	μVrms
		For video, $R_g = 75\ \Omega$, bandwidth = 10 MHz	-	0.5	1.0	mVrms
CT	Crosstalk	$f = 1\text{ kHz}$ (for audio)	65	80	-	dB
		$f = 5\text{ MHz}$ (for video)	45	50	-	

Switching mode



Selection of switch settings

Control input*	Switch number		
	S ₁	S ₂	S ₃
H	1	1	1
M	2	(Note)	(Note)
L	3	2	2

Note: connect to V_{cc} or GND

Control input voltage (pin 6)

Control input	V _{cc}	
	9 V	12 V
H	7.2 to 9 V	9.2 to 12 V
M	4.2 to 4.8 V	5.2 to 6.8 V
L	0 to 1.8 V	0 to 2.8 V

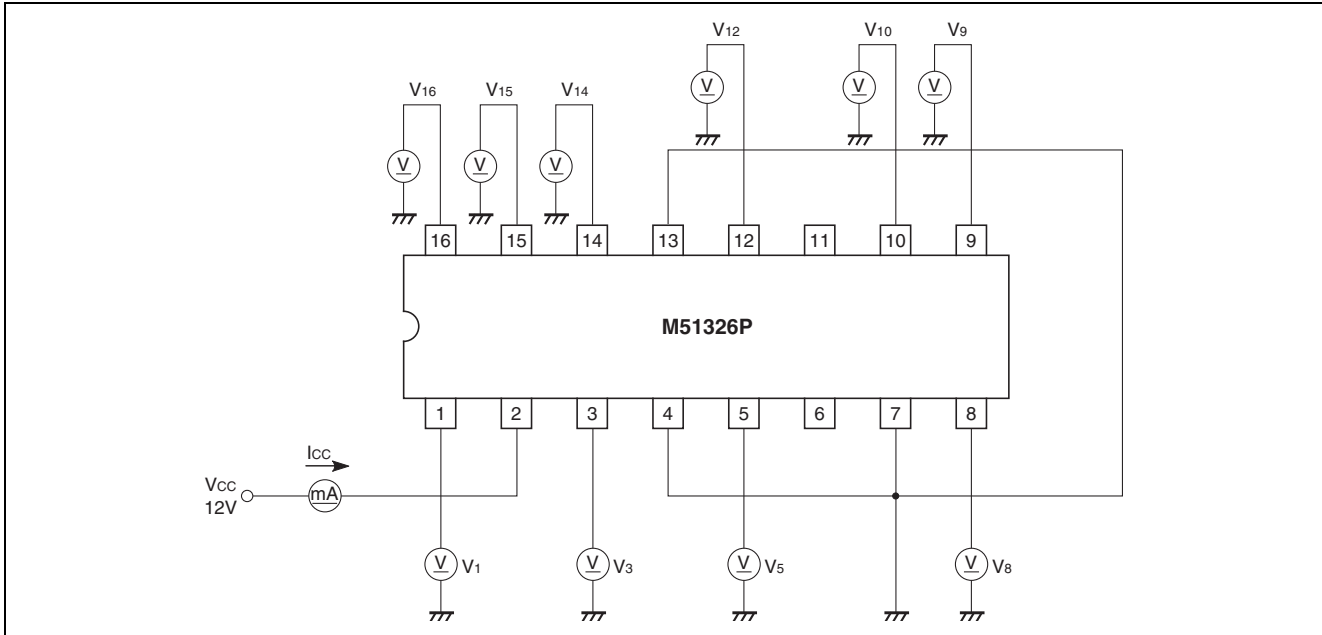
Control input voltage (pins 4, 13)

Control input	V _{cc}	
	9 V	12 V
H	2.7 to 9 V	2.7 to 12 V
L	0 to 1.5 V	0 to 1.5 V

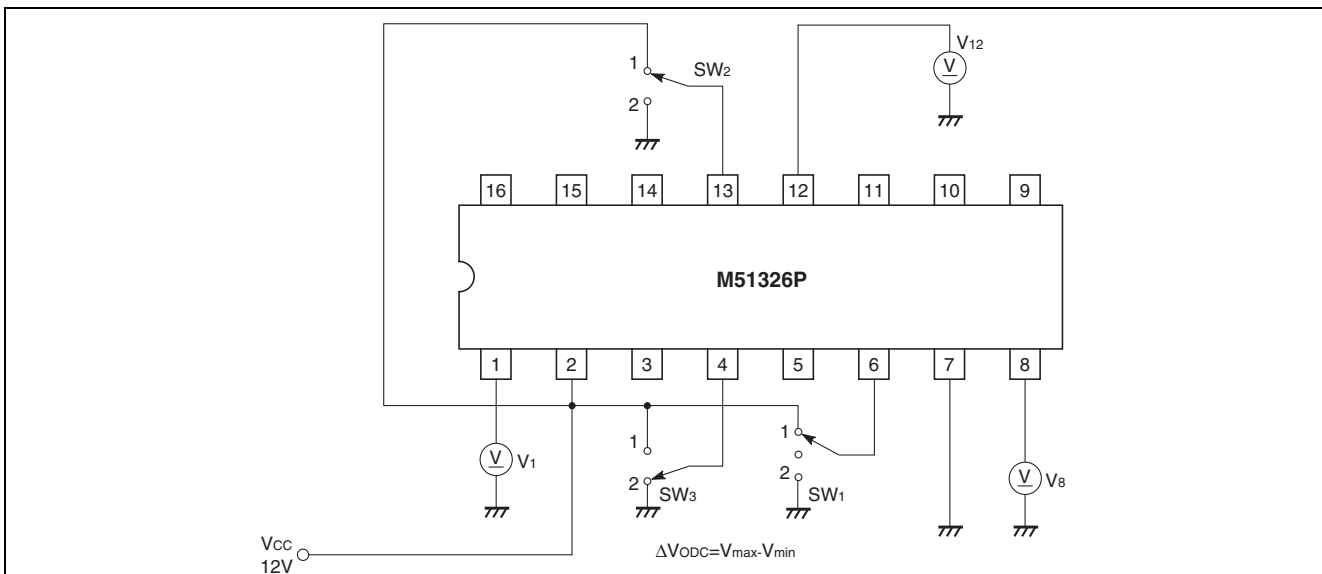
Measurement circuit

(unless otherwise noted, $T_a = 25^\circ\text{C}$, $V_{CC} = 12\text{ V}$)

Measurement circuit for circuit current I_{CC} , input bias voltage V_{IDC} , output bias voltage V_{ODC}



Measurement circuit output DC - offset voltage



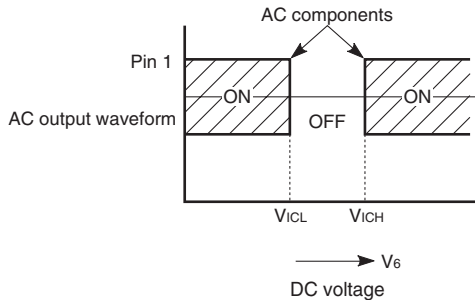
Video : DC voltages on V12 are measured while switch 1 is at setting 2 and switch 2 is at setting 2, before and after switch 3 is turned to setting 1 or 2.

Sound (1): DC voltages on V1 are measured while switch 2 is at setting 2 and switch 3 is at setting 2, and switch 3 is turned to setting 1, 2, or 3.

Sound (2): DC voltages on V8 are measured while switch 1 is at setting 2 and switch 3 is at setting 2, before and after switch 2 is turned from to setting 1 or 2.

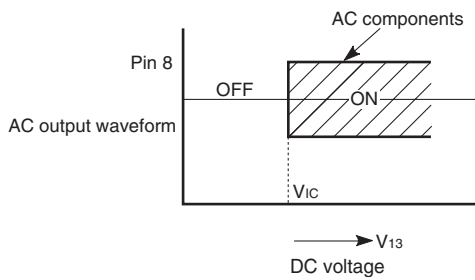
Sound (1) measuring the control-pin threshold-voltage value:

Firstly, DC voltage V_6 is increased from 3 V to 5 V. Here, we take V_{ICL} as the V_6 value at which the AC component in the output waveform from pin 1 is turned off. Then, DC voltage V_6 is increased from 7 V to 9 V. Here, we take V_{ICH} as the V_6 value at which the AC component in the output waveform from pin 1 is turned on



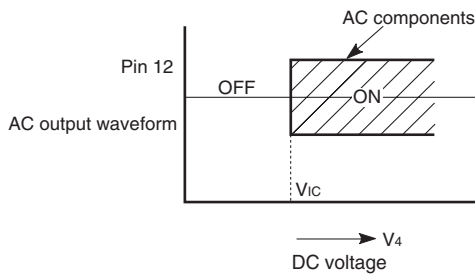
Sound (2) measuring the control-pin threshold-value voltage:

DC voltage V_{13} is increased from 1 V to 3 V. Here, we take the V_{13} value at which the AC component in the output waveform from pin 8 is turned on as V_{IC} .

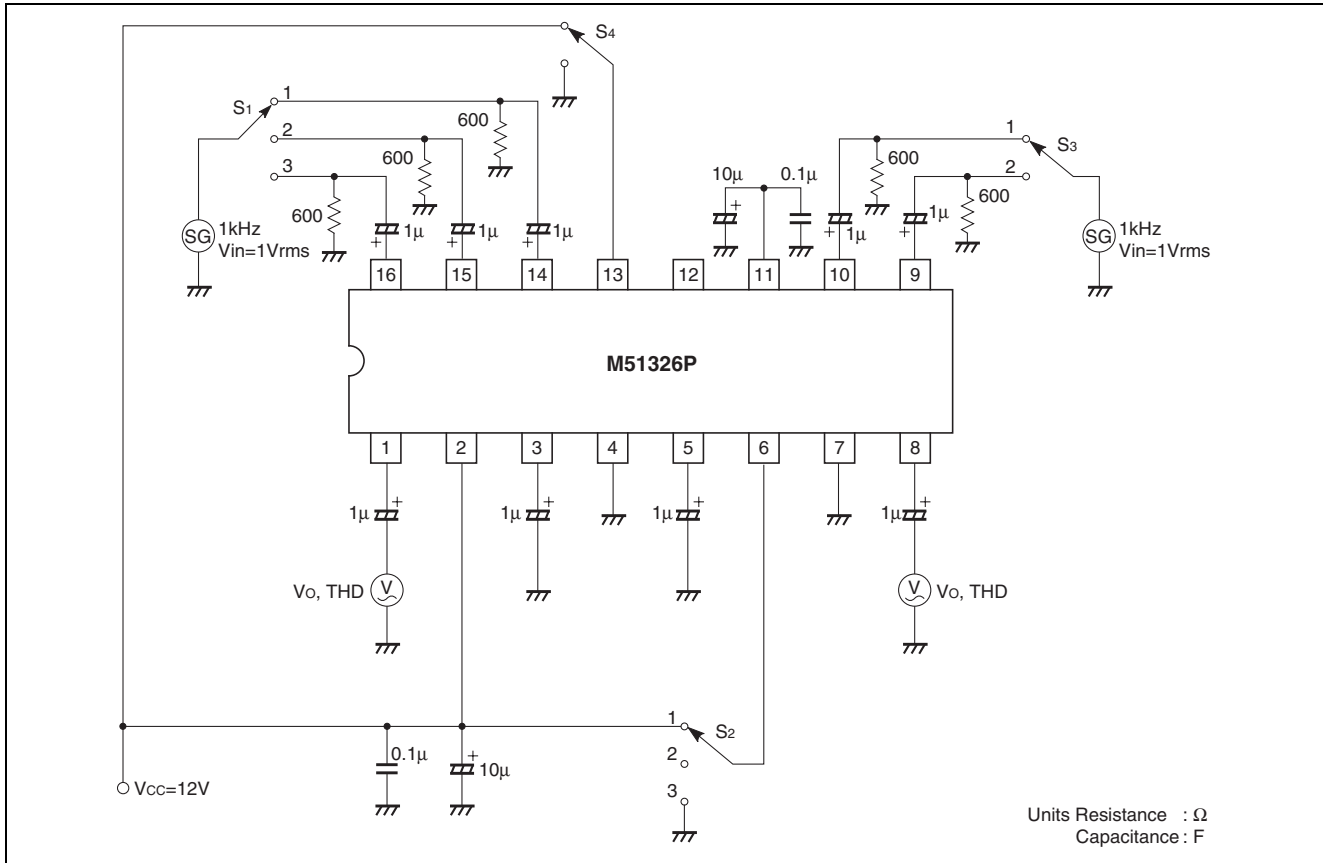


Measuring the image control pin threshold value voltage:

DC voltage V_4 is increased from 1 V to 3 V. This time, we take the V_{14} value at which the AC component in the output waveform from pin 12 is turned on as V_{IC} .



Measurement circuit for crosstalk and total harmonic distortion rate (switches for audio)



Relation between the switch states and the monitor output

Switch state

S ₁	S ₂	Pin 1 output
1	1	V _{os} , THD
	2,3	V _{oc}
2	2	V _{os} , THD
	1,3	V _{oc}
3	3	V _{os} , THD
	1,2	V _{oc}

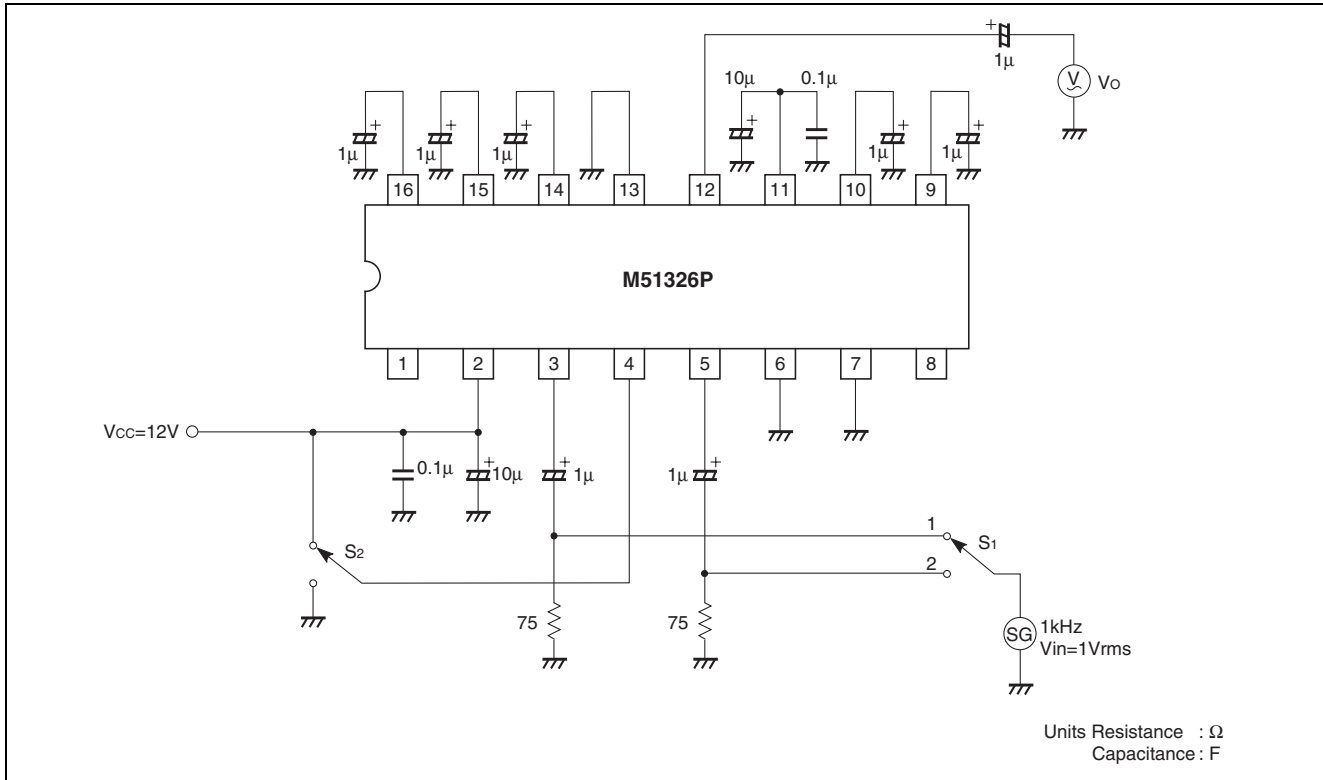
Switch state

S ₃	S ₄	Pin 8 output
1	1	V _{oc}
	2	V _{oc}
2	1	V _{oc}
	2	V _{oc} , THD

Crosstalk: CT = 20log (V_{os}/V_{oc}) (dB)

Voltage gain: GV = 20log (V_{os}/V_{in}) (dB)

Measurement circuit for crosstalk and voltage gain (video switch)

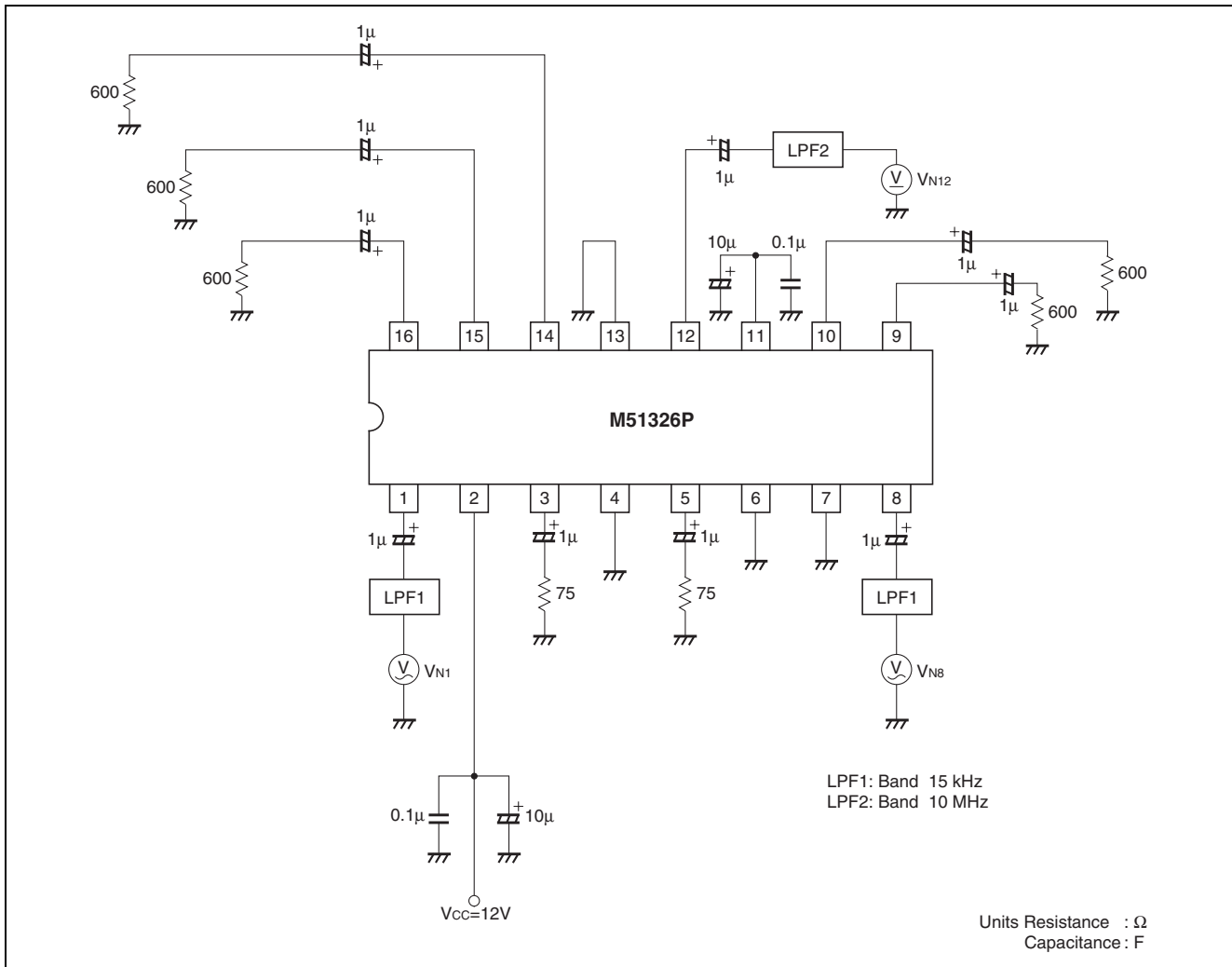


Switch state		Pin 12 output
S1	S2	
1	1	Vos
	2	Voc
2	1	Voc
	2	Vos

Crosstalk: $CT = 20\log (Vos/Voc)$ (dB)

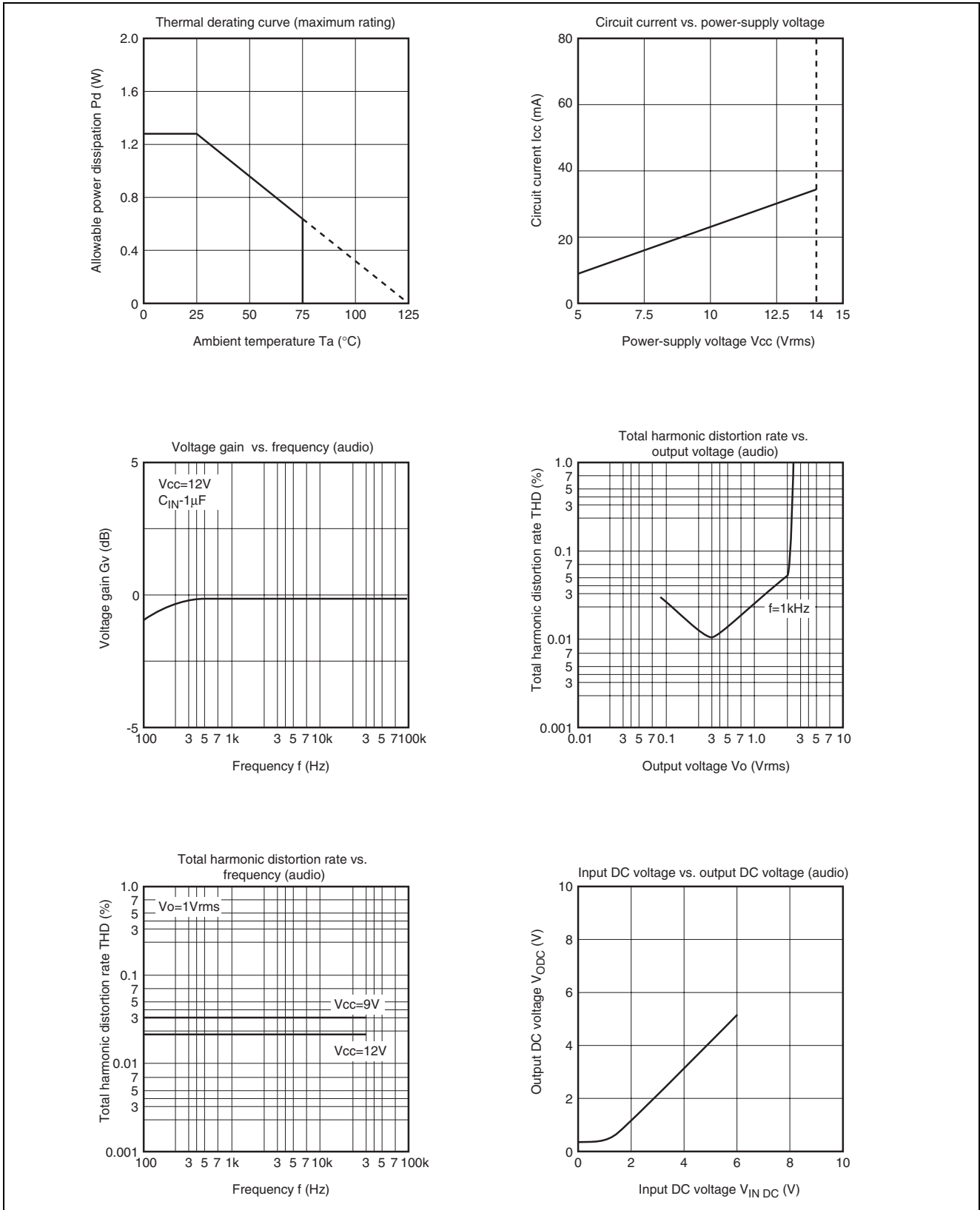
Voltage gain: $GV = 20\log (Vos/Vin)$ (dB)

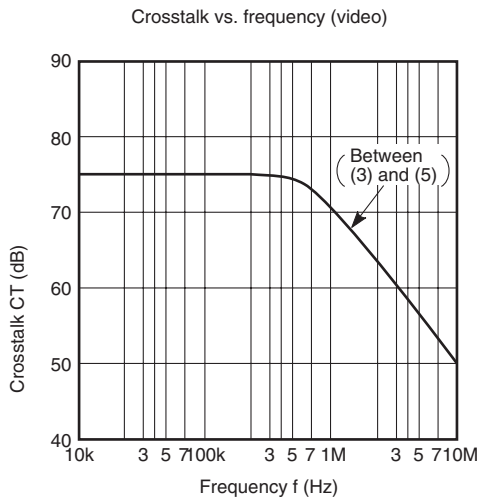
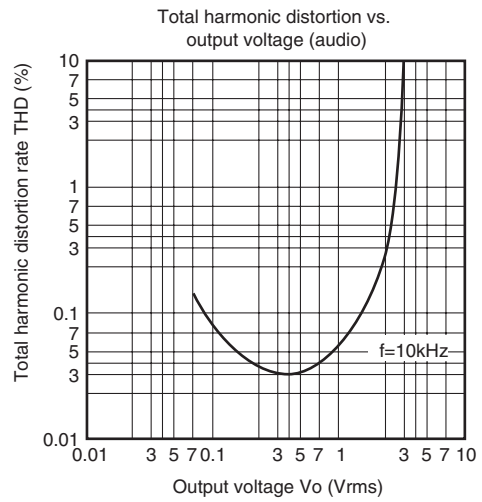
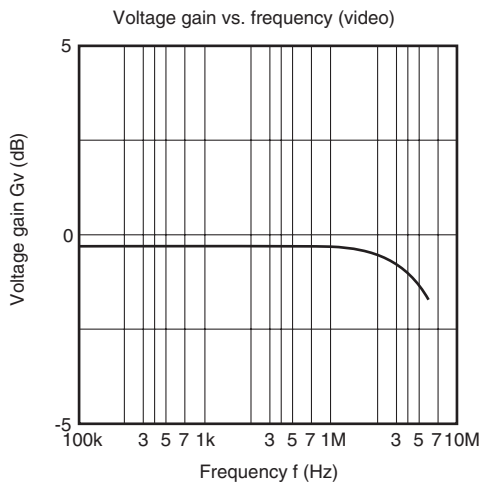
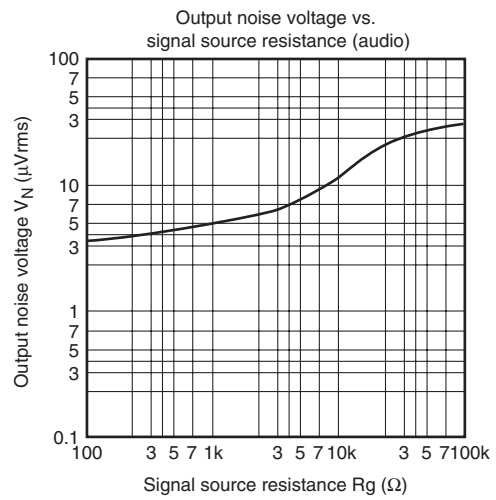
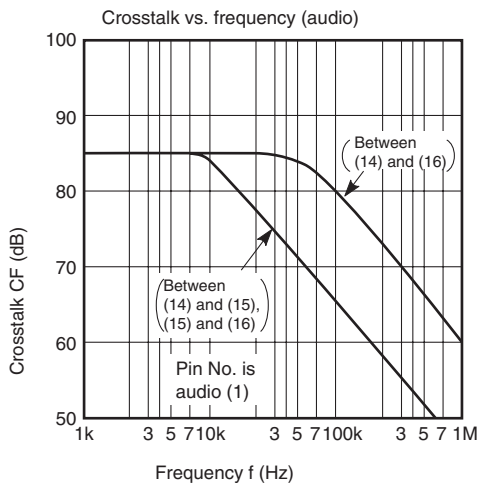
Measurement circuit for output noise voltage



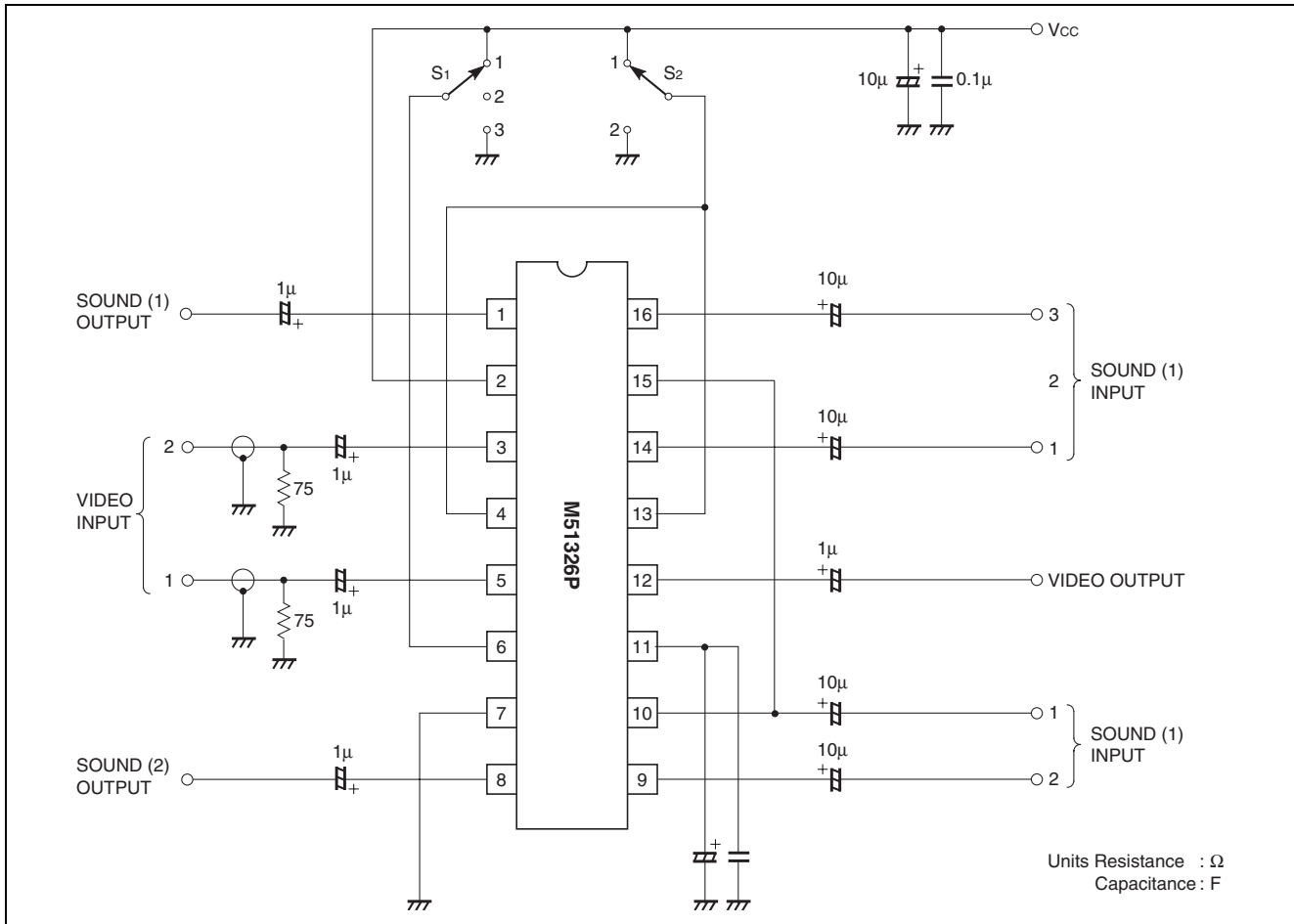
Characteristic curves

(unless otherwise noted, $T_a = 25^\circ\text{C}$)





Application Example



Precautions on usage

Both the video and audio outputs are emitter follower. Accordingly, when the external wiring is long or a capacitive load is added, add a resistor with a value of the tens of ohms order in series near the position of the output pin.

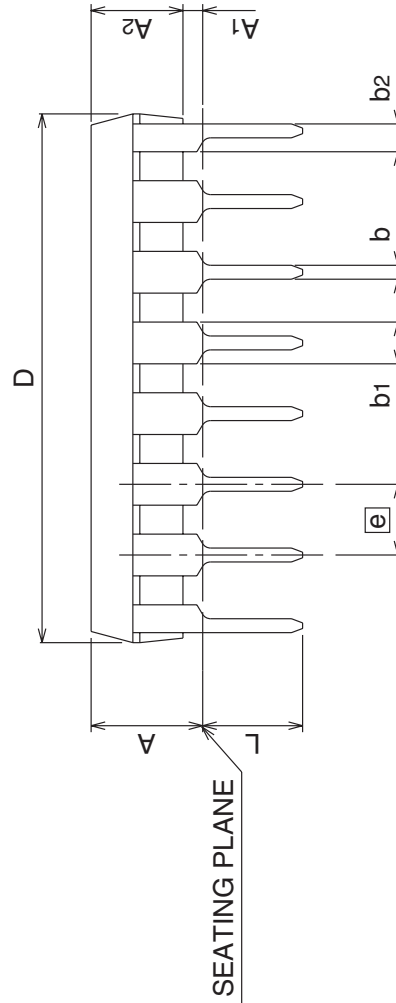
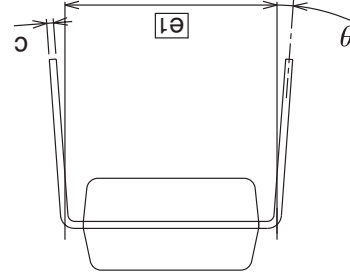
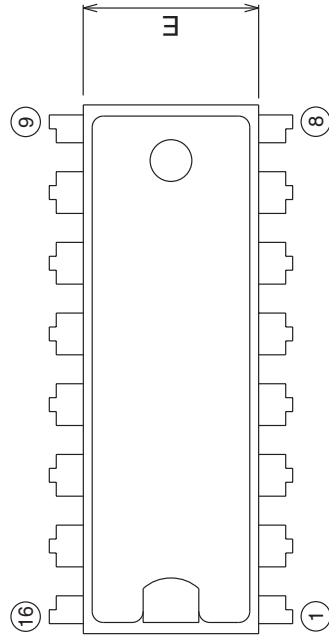
Package Dimension

16P4

MMP

Plastic 16pin 300mil DIP

EIAJ Package Code DIP16-P-300-2.54	JEDEC Code -	Weight(g) 1.0	Lead Material Alloy 42/Cu Alloy
---------------------------------------	-----------------	------------------	------------------------------------



Symbol	Dimension in Millimeters		
	Min	Nom	Max
A	-	-	4.5
A1	0.51	-	-
A2	-	3.3	-
b	0.4	0.5	0.59
b1	1.4	1.5	1.8
b2	0.9	1.0	1.3
c	0.22	0.27	0.34
D	18.8	19.0	19.2
E	6.15	6.3	6.45
e	-	2.5	-
ei	-	7.62	-
L	3.0	-	-
θ	0°	-	15°

Renesas Technology Corp. Sales Strategic Planning Div. Nippon Bldg., 2-6-2, Ohte-machi, Chiyoda-ku, Tokyo 100-0004, Japan

Keep safety first in your circuit designs!

1. Renesas Technology Corp. puts the maximum effort into making semiconductor products better and more reliable, but there is always the possibility that trouble may occur with them. Trouble with semiconductors may lead to personal injury, fire or property damage.
Remember to give due consideration to safety when making your circuit designs, with appropriate measures such as (i) placement of substitutive, auxiliary circuits, (ii) use of nonflammable material or (iii) prevention against any malfunction or mishap.

Notes regarding these materials

1. These materials are intended as a reference to assist our customers in the selection of the Renesas Technology Corp. product best suited to the customer's application; they do not convey any license under any intellectual property rights, or any other rights, belonging to Renesas Technology Corp. or a third party.
 2. Renesas Technology Corp. assumes no responsibility for any damage, or infringement of any third-party's rights, originating in the use of any product data, diagrams, charts, programs, algorithms, or circuit application examples contained in these materials.
 3. All information contained in these materials, including product data, diagrams, charts, programs and algorithms represents information on products at the time of publication of these materials, and are subject to change by Renesas Technology Corp. without notice due to product improvements or other reasons. It is therefore recommended that customers contact Renesas Technology Corp. or an authorized Renesas Technology Corp. product distributor for the latest product information before purchasing a product listed herein.
The information described here may contain technical inaccuracies or typographical errors.
Renesas Technology Corp. assumes no responsibility for any damage, liability, or other loss rising from these inaccuracies or errors.
Please also pay attention to information published by Renesas Technology Corp. by various means, including the Renesas Technology Corp. Semiconductor home page (<http://www.renesas.com>).
 4. When using any or all of the information contained in these materials, including product data, diagrams, charts, programs, and algorithms, please be sure to evaluate all information as a total system before making a final decision on the applicability of the information and products. Renesas Technology Corp. assumes no responsibility for any damage, liability or other loss resulting from the information contained herein.
 5. Renesas Technology Corp. semiconductors are not designed or manufactured for use in a device or system that is used under circumstances in which human life is potentially at stake. Please contact Renesas Technology Corp. or an authorized Renesas Technology Corp. product distributor when considering the use of a product contained herein for any specific purposes, such as apparatus or systems for transportation, vehicular, medical, aerospace, nuclear, or undersea repeater use.
 6. The prior written approval of Renesas Technology Corp. is necessary to reprint or reproduce in whole or in part these materials.
 7. If these products or technologies are subject to the Japanese export control restrictions, they must be exported under a license from the Japanese government and cannot be imported into a country other than the approved destination.
Any diversion or reexport contrary to the export control laws and regulations of Japan and/or the country of destination is prohibited.
 8. Please contact Renesas Technology Corp. for further details on these materials or the products contained therein.
-



RENESAS SALES OFFICES

<http://www.renesas.com>

Renesas Technology America, Inc.
450 Holger Way, San Jose, CA 95134-1368, U.S.A
Tel: <1> (408) 382-7500 Fax: <1> (408) 382-7501

Renesas Technology Europe Limited.
Dukes Meadow, Millboard Road, Bourne End, Buckinghamshire, SL8 5FH, United Kingdom
Tel: <44> (1628) 585 100, Fax: <44> (1628) 585 900

Renesas Technology Europe GmbH
Dornacher Str. 3, D-85622 Feldkirchen, Germany
Tel: <49> (89) 380 70 0, Fax: <49> (89) 929 30 11

Renesas Technology Hong Kong Ltd.
7/F., North Tower, World Finance Centre, Harbour City, Canton Road, Hong Kong
Tel: <852> 2265-6688, Fax: <852> 2375-6836

Renesas Technology Taiwan Co., Ltd.
FL 10, #99, Fu-Hsing N. Rd., Taipei, Taiwan
Tel: <886> (2) 2715-2888, Fax: <886> (2) 2713-2999

Renesas Technology (Shanghai) Co., Ltd.
26/F., Ruijin Building, No.205 Maoming Road (S), Shanghai 200020, China
Tel: <86> (21) 6472-1001, Fax: <86> (21) 6415-2952

Renesas Technology Singapore Pte. Ltd.
1, Harbour Front Avenue, #06-10, Keppel Bay Tower, Singapore 098632
Tel: <65> 6213-0200, Fax: <65> 6278-8001