

M51391ASP

PAL/NTSC VIDEO CHROMA DEFLECTION

DESCRIPTION

The M51391ASP is a semiconductor integrated circuit for video, chroma, and deflection signal processing. Combined with IC M51346AP for VIF/SIF, it realizes practical color television using only two IC components.

Circuit configuration includes built-in sync separation, horizontal AFC, horizontal oscillator, horizontal count-down, vertical count-down, contrast control, luminance control, picture quality control, ACC/killer detector, ident detector, APC detector, chroma oscillator, NTSC tint control, and chroma demodulator functions.

The M51390ASP is packaged as a 32-pin, bipolar monolithic, formed plastic shrink DIP.

FEATURES

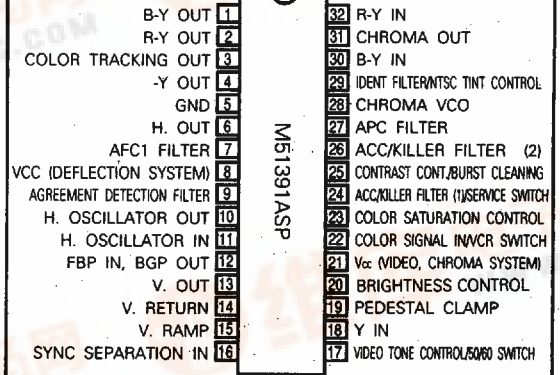
- By combining with IC M51397AP for SECAM chroma signals, a multi-system capable of handling PAL, NTSC, and SECAM signals can be constructed.
- Large-scale, single-chip construction enhances practicality and reliability of the television set itself while contributing to lower power consumption.
- Places of adjustment and number of external components are minimized.
- NTSC system switch enables construction of a PAL/NTSC system with a minimal amount of peripheral components. (Switches demodulator axis, demodulation ratio, PAL matrix, and tint control.)
- Employs a sync detector system for ACC/killer detector; realizes superior weak electric field killer level.
- Double AFC in the horizontal circuit effectively reduces weak electric field horizontal "jitter," and "bending" on the screen is minimized thanks to luminance alteration. VCR switch improves skew distortion. Sync sensor circuit not only expands pull-in range, but can be used as a sensor signal for sound muting, automatic channel selection, etc.
- Contains built-in service switch. (Contrast minimum killer ON, vertical output OFF)

FUNCTIONS

Two types of similar functions are available for this LSI semiconductor integrated circuit. The differences of the two types are as described below.

	M51309SP	M51391ASP
Color demodulation ratio	Conforms with CCIP.	Red is more pronounced than M51309SP.
Luminance control polarity	Becomes brighter as control voltage is increased.	Becomes darker as control voltage is decreased.
Horizontal output pulse amplitude	24 μ sec	26 μ sec
Vertical system	Sampling DC feedback system High gain (50dB)	Ramp generation system Low gain (20dB)

PIN CONFIGURATION (TOP VIEW)



Outline 32P4B

APPLICATION

PAL/SECAM Dual System, PAL/SECAM/NTSC System Color Television Receiver

RECOMMENDED OPERATING CONDITION

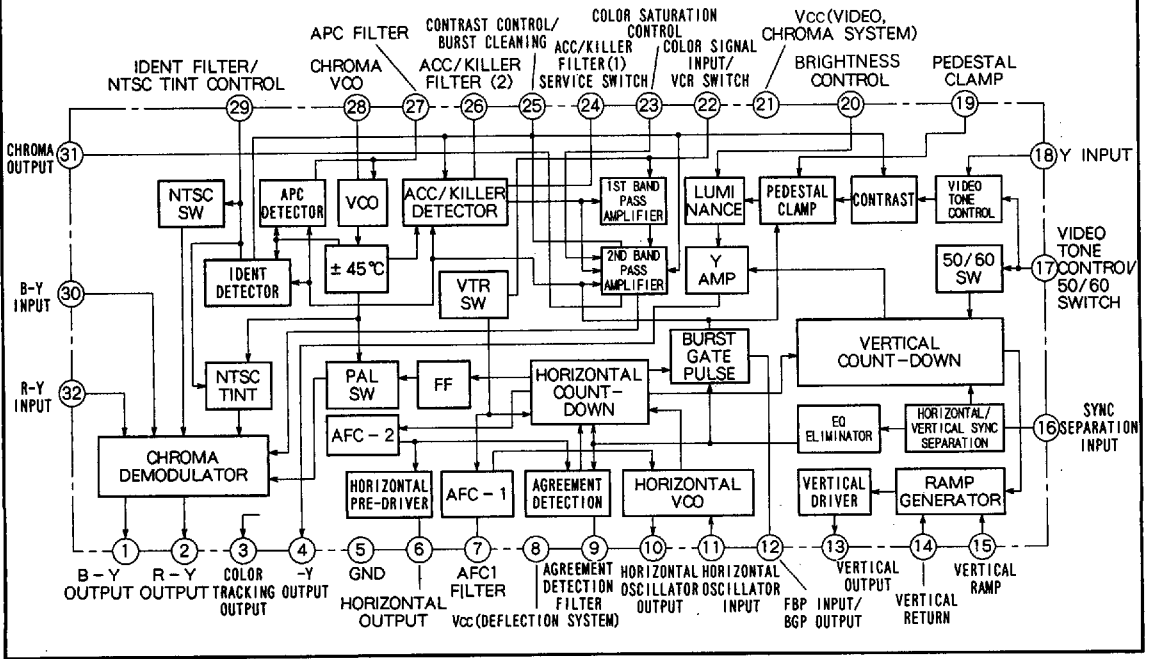
Supply Voltage Range 10.0~12.5V
Rated Supply Voltage 12.0V



M51391ASP

PAL/NTSC VIDEO CHROMA DEFLECTION

BLOCK DIAGRAM



ABSOLUTE MAXIMUM RATINGS

Symbol	Parameter	Ratings	Unit
V _{cc}	Supply voltage	13	V
P _d	Power dissipation	1.25	W
Surge	Surge voltage resistance	± 200	V
V ₁₄	Pin 14 voltage	0.28V _{cc} + 6	V
I ₁₅	Pin 15 output current	- 6	mA
I ₁₂	Pin 12 input current	- 1.0	mA
T _{opr}	Operating temperature	- 20~65	°C
T _{stg}	Storage temperature	- 40~125	°C

ELECTRICAL CHARACTERISTICS (T_a = 25 °C unless otherwise noted)

VIDEO CHROMA INPUT IMPEDANCE

Symbol	Parameter	Test point	Test conditions	Limits			Unit
				Min.	Typ.	Max.	
R _i (18)	Video input resistance	18	V _{cc} = 12V, Test with LCR meter, 4.43MHz, 0.1V		5		k Ω
C _i (18)	Video input capacitance	18			5.5		pF
R _i (17)	Picture quality input resistance	17			9.7		k Ω
C _i (17)	Picture quality input capacitance	17			6		pF
R _i (22)	Chroma input resistance	22			2		k Ω
C _i (22)	Chroma input capacitance	22			20		pF
R _i (30)	B - Y input resistance	30			3		k Ω
C _i (30)	B - Y input capacitance	30			7		pF
R _i (32)	R - Y input resistance	32			3		k Ω
C _i (32)	R - Y input capacitance	32			7		pF

M51391ASP

PAL/NTSC VIDEO CHROMA DEFLECTION

MAXIMUM OUTPUT CURRENT

Symbol	Pin No.	Recommended value	Maximum value	Unit
I ₁	①	2.0	4.0	mA
I ₂	②	2.0	4.0	mA
I ₃	③	2.0	4.0	mA
I ₄	④	2.0	4.0	mA
I ₆	⑥	3.0	6.0	mA
I ₁₀	⑩	1.0	3.0	mA
I ₁₃	⑬	1.5	3.0	mA
I ₃₁	⑰	5.0	10.0	mA

ELECTRICAL CHARACTERISTICS

VIDEO SECTION

Symbol	Parameter	Test point	Input C	Test conditions*												Limits			Unit	
				17A	19	20A	23A	25A	29A	S24-1	S24-2	S26	S29	S32	12A	Note	Min.	Typ.		Max.
I _{CC} - YC	Circuit current	A1	-	-	-	-	-	-	-	ON	OFF	OFF	OFF	1	V _{CC}	Note 1	35	49	63	mA
Y _{max}	Maximum output	4	SG1	-	-	-	-	V _{CC}	-	ON	OFF	OFF	OFF	1	V _{CC}	Note 1	7.5	8.6		V _{P-P}
GY	Video amplifier gain	4	SG2	-	2V	-	-	V _{CC}	-	ON	OFF	OFF	OFF	1	V _{CC}	Note 2	18	21	24	dB
GY _{mid}	Contrast control characteristics - 1	4	SG2	-	2V	-	-	6V	-	ON	OFF	OFF	OFF	1	V _{CC}	Note 3	0.7	1.0	1.4	V _{P-P}
GY _{min}	Contrast control characteristics - 2	4	SG2	-	2V	-	-	0V	-	ON	OFF	OFF	OFF	1	V _{CC}	Note 4		-40	-30	dB
GY _{max}	Contrast control characteristics - 3	4	SG2	-	2V	-	-	V _{CC}	-	ON	OFF	OFF	OFF	1	V _{CC}	Note 5	4.0	7.0	10.0	dB
YT _{mid}	Video tone control characteristics - 1	4	SG3	-	2V	-	-	6V	-	ON	OFF	OFF	OFF	1	V _{CC}	Note 6	0.9	1.3	1.8	V _{P-P}
YT _{min}	Video tone control characteristics - 2	4	SG3	V _{CC}	2V	-	-	6V	-	ON	OFF	OFF	OFF	1	V _{CC}	Note 7	-11	-8	-5	dB
YT _{max}	Video tone control characteristics - 3	4	SG3	1.5V	2V	-	-	6V	-	ON	OFF	OFF	OFF	1	V _{CC}	Note 8	2	5	8	dB
YP	Peaking value	4	C SG2 SG3	-	2V	-	-	6V	-	ON	OFF	OFF	OFF	1	V _{CC}	Note 9	0.5	3.5	6.5	dB
Y _{BRTmid}	Brightness control characteristics - 1	4	-	-	-	6V	-	6V	-	ON	OFF	OFF	OFF	1	V _{CC}	Note 10	3.9	4.5	5.1	V
Y _{BRTmin}	Brightness control characteristics - 2	4	-	-	-	V _{CC}	-	6V	-	ON	OFF	OFF	OFF	1	V _{CC}	Note 11	8.6	9.2	9.8	V
Y _{BRTmax}	Brightness control characteristics - 3	4	-	-	-	0V	-	6V	-	ON	OFF	OFF	OFF	1	V _{CC}	Note 12		0.8	1.4	V
Y _f	Frequency characteristics	4	C SG2 SG4	-	2V	-	-	6V	-	ON	OFF	OFF	OFF	1	V _{CC}	Note 13	-2	2	6	dB
DG	Differential gain	4	C SG2	-	2.0V 2.7V	-	-	6V	-	ON	OFF	OFF	OFF	1	V _{CC}	Note 14			10	%
H.BLKTH	Horizontal blanking threshold voltage	4	D 1A SG5	-	2V	-	-	6V	-	ON	OFF	OFF	OFF	1	V _{CC}	Note 15	9.75	10.25	10.75	V
YV.BLK	Vertical blanking voltage	4	-	-	-	-	-	6V	-	ON	OFF	OFF	OFF	1	V _{CC}	Note 16	9.3	9.9	10.5	V

*: "-" indicates OPEN.

M51391ASP

PAL/NTSC VIDEO CHROMA DEFLECTION

CHROMA SECTION

Symbol	Parameter	Test point	Input D	Test conditions*												Limits			Unit	
				17A	19	20A	23A	25A	29A	S24-1	S24-2	S26	S29	S32	12A	Note	Min.	Typ.		Max.
C _{max}	Maximum output	31	SG5 0dB	-	-	-	V _{cc}	V _{cc}	-	ON	OFF	OFF	OFF	1	V _{cc}		2.0	2.6	3.2	V _{P-P}
GC	Chroma maximum gain	31	SG5 -22dB	-	-	-	V _{cc}	V _{cc}	-	ON	OFF	OFF	OFF	1	V _{cc}	Note17	41	46	51	dB
Acc1	ACC characteristics - 1	31	SG5 0dB -22dB	-	-	-	6V	-	ON	OFF	OFF	OFF	1	V _{cc}	Note18	-8	-2.5	0	dB	
Acc2	ACC characteristics - 2	31	SG5 +6dB	-	-	-	6V	-	ON	OFF	OFF	OFF	1	V _{cc}	Note19	-2	0.4	3	dB	
KIL	Killer operation input	SG5 23	SG5	-	-	-	6V	-	ON	OFF	OFF	OFF	1	V _{cc}	Note20	-34	-28	-22	dB	
D.KIL	Killer color residual	1A	SG5 0dB	-	-	-	6V	-	ON	OFF	OFF	OFF	1	V _{cc}	Note21			30	mV _{P-P}	
CC _{mid}	Color control characteristics - 1	31	SG5 0dB	-	-	-	V _{cc}	-	ON	OFF	OFF	OFF	1	V _{cc}	Note22	0.65	0.95	1.35	V _{P-P}	
CC _{min}	Color control characteristics - 2	31	SG5 0dB	-	-	-	0V	V _{cc}	-	ON	OFF	OFF	OFF	1	V _{cc}	Note23		-40	-36	dB
CC _{max}	Color control characteristics - 3	31	SG5 0dB	-	-	-	V _{cc}	V _{cc}	-	ON	OFF	OFF	OFF	1	V _{cc}	Note24	5	9	13	dB
UC _{mid}	Color tracking characteristics - 1	3A	D SG5 0dB	-	-	-	V _{cc}	6V	-	ON	OFF	OFF	OFF	1	V _{cc}		5.55	5.85	6.15	V
UC _{min}	Color tracking characteristics - 2	3A	D SG5 0dB	-	-	-	V _{cc}	3V	-	ON	OFF	OFF	OFF	1	V _{cc}		2.65	2.95	3.25	V
UC _{max}	Color tracking characteristics - 3	3A	D SG5 0dB	-	-	-	V _{cc}	9V	-	ON	OFF	OFF	OFF	1	V _{cc}		8.4	8.7	9.0	V
APC1	APC pull-in range - 1	23 SG6	D SG6	-	-	-	6V	-	ON	OFF	OFF	OFF	1	V _{cc}	Note 25	500	900		Hz	
APC2	APC pull-in range - 2	23 SG6	D SG6	-	-	-	6V	-	ON	OFF	OFF	OFF	1	V _{cc}	Note 26	870	1500		Hz	
D _{DC}	Demodulated output DC voltage	1A 2A	-	-	-	-	6V	-	ON	OFF	OFF	OFF	1	V _{cc}	Note 27	6.5	7.0	7.5	V	
D _{offset}	Demodulated DC offset	-	-	-	-	-	6V	-	-	-	-	-	-	-	Note28			0.3	V	
D _{max}	Demodulated output maximum amplitude	1A	E SG7 0.5 V _{P-P}	-	-	-	6V	-	OFF	OFF	OFF	OFF	2	V _{cc}		3.7	4.7	5.7	V _{P-P}	
D _{B-Y}	B-Y demodulation sensitivity	1A	E SG7 0.2 V _{P-P}	-	-	-	6V	-	OFF	OFF	OFF	OFF	2	V _{cc}		2.25	2.75	3.25	V _{P-P}	
R/B	Demodulation ratio - 1	2A	E SG7 0.2 V _{P-P}	-	-	-	6V	-	OFF	OFF	OFF	OFF	2	V _{cc}	Note 29	0.59	0.66	0.73	-	
Δ D/H	Demodulated output 1H level difference	2A	E SG7 0.2 V _{P-P}	-	-	-	0V	6V	-	OFF	OFF	OFF	OFF	2	V _{cc}	Note 30			35	mV _{P-P}
C _{leak}	Demodulated output carrier leak	1A 2A	-	-	-	-	6V	-	ON	OFF	OFF	OFF	1	V _{cc}	Note 31			0.2	V _{P-P}	
V ₂₃	Pin @ voltage (Killer ON)	23	-	-	-	-	6V	-	ON	OFF	ON	OFF	1	V _{cc}			0.13	1.00	V	
V _{NTSC}	NTSC operation control voltage	1A 29A	E SG7 0.2 V _{P-P}	-	-	-	6V	Variable	OFF	OFF	OFF	ON	2	V _{cc}	Note 32	4.8	5.15	5.5	V	
NTSC B	Demodulated output (NTSC)	1A	D SG9 0dB	-	-	-	V _{cc}	2V	ON	OFF	OFF	ON	1	V _{cc}		2.25	3.25	4.55	V _{P-P}	
NTSC R/B	Demodulation ratio (NTSC) - 1	2A	D SG9 0dB	-	-	-	V _{cc}	2V	ON	OFF	OFF	ON	1	V _{cc}	Note 33	0.9	1.0	1.1	-	
V _{P/N}	PAL/NTSC demodulated output DC voltage	1A	-	-	-	-	6V	2V	ON	OFF	OFF	ON ↓ OFF	1	V _{cc}	Note 34			0.3	V	
V _{FF}	Flip-flop drive voltage	2A 12A	D SG5 0dB	-	-	-	6V	-	ON	OFF	OFF	OFF	1	Variable	Note 35				V	

* : "-" indicates OPEN.

PAL/NTSC VIDEO CHROMA DEFLECTION

CHROMA SECTION (cont.)

Symbol	Parameter	Test point	Input	Test conditions*												Limits			Unit	
				D	17A	19	20A	23A	25A	29A	S24-1	S24-2	S26	S29	S32	12A	Note	Min.		Typ.
SS	PAL/NTSC demodulated output DC offset	4 13 23	C SG2	-	-	-	-	6V	-	ON	ON	OFF	OFF	1	Vcc	Note36				-
D _{BW}	Demodulated output bandwidth	1 2	E SG8	-	-	-	-	6V	-	OFF	OFF	OFF	OFF	2	Vcc	Note37	0.8	1.0		MHz
CD	Chroma input dynamic range	31	D SG5	-	-	-	-	6V	-	ON	OFF	OFF	OFF	1	Vcc	Note38	1.0	1.4		V _{P-P}
∠R-Y-P	PAL demodulated phase angle	1A 2A	E SG8 4.53 MHz	-	-	-	-	6V	-	OFF	OFF	OFF	OFF	2	Vcc	Note39		90		deg.
∠R-Y-N	NTSC demodulated phase angle	1A 2A	D SG9 0dB	-	-	-	-	6V	2V	ON	OFF	OFF	ON	1	Vcc	Note40		100		deg.
T _{min}	NTSC TINT	1A	D SG6 0dB	-	-	-	-	6V	Variable	ON	OFF	OFF	ON	1	Vcc	Note41	-27	-47	-67	deg.
T _{max}		+20															+40	+60	deg.	

*: "-" indicates OPEN.

DEFLECTION SECTION

Symbol	Parameter	Test point	Input	Test conditions*												Limits			Unit	
				A	9	12A	14	15A	Vcc	22A	S6	S14	S16	S17	S22	S24-2	S15	Note		Min.
I _{cc} - J	Circuit current	A2	SGa	-	Vcc	6V	GND	-	ON	OFF	1	OFF	OFF	OFF	OFF		19	28	37	mA
V _{8min}	Horizontal oscillator starting voltage	6	-	Vcc	6V	GND	Variable	-	ON	OFF	3	OFF	OFF	OFF	OFF	Note 42		5.2	6.2	V
f _H	Horizontal free run frequency	6	-	Vcc	6V	GND	-	ON	OFF	3	OFF	OFF	OFF	OFF			15.45	15.625	15.8	kHz
f _{PH1L}	Horizontal pull-in range - 1	6	SGb	6V	Vcc	6V	GND	-	ON	OFF	1	OFF	OFF	OFF	OFF	Note 43		-970	-600	Hz
f _{PH1H}																	+550	+900	Hz	
f _{PH2L}	Horizontal pull-in range - 2	6	SGb	6V	Vcc	6V	GND	-	ON	OFF	1	OFF	ON	OFF	OFF	Note 44		-1100	-700	Hz
f _{PH2H}																	+650	+1000	Hz	
V _{CR SW}	VCR SW threshold voltage	6 22	SGb	-	Vcc	6V	GND	Variable	ON	OFF	1	OFF	OFF	OFF	OFF	Note 45	5	5.5	6	V
V _{9H}	Agreement detection maximum voltage	9	SGa	-	Vcc	6V	GND	-	ON	OFF	1	OFF	OFF	OFF	OFF		10.5	11.3		V
V _{9L}	Agreement detection minimum voltage	9	-	Vcc	6V	GND	-	ON	OFF	3	OFF	OFF	OFF	OFF				0.5		V
T _H	Horizontal output pulse amplitude	6	SGa	-	Vcc	6V	GND	-	ON	OFF	1	OFF	OFF	OFF	OFF	Note 46	21	25	29	μ sec
V _{Hmin}	Horizontal output voltage	6	SGa	-	Vcc	6V	GND	-	OFF	OFF	1	OFF	OFF	OFF	OFF	Note 47		0.04	0.16	V
V _{Hmax}																	3.1	3.95	4.8	V
t _{GP}	Burst gate pulse position	12	SGa	-	Vcc	6V	GND	-	ON	OFF	1	OFF	OFF	OFF	OFF	Note48	3.7	4.7	5.7	μ sec
f _{v50}	Vertical free run frequency 50(Hz)	13	-	Vcc	6V	GND	-	ON	OFF	3	OFF	OFF	OFF	OFF			43	44.4	46	Hz
f _{v60}	Vertical free run frequency 60(Hz)	13	-	Vcc	6V	GND	-	ON	OFF	3	ON	OFF	OFF	OFF			50.5	52.8	55	Hz
f _{PV50}	Vertical pull-in range 50(Hz)	13	SGc	-	Vcc	6V	GND	-	ON	OFF	1	OFF	OFF	OFF	OFF	Note 49	54	55.7	58	Hz
f _{PV60}	Vertical pull-in range 60(Hz)	13	SGc	-	Vcc	6V	GND	-	ON	OFF	1	ON	OFF	OFF	OFF	Note 50	65	66.3	69	Hz
τ _{v50}	Vertical output pulse amplitude 50(Hz)	13	-	Vcc	6V	GND	-	ON	OFF	3	OFF	OFF	OFF	OFF	Note 51	474	544	614	μ sec	
τ _{v60}	Vertical output pulse amplitude 60(Hz)	13	-	Vcc	6V	GND	-	ON	OFF	3	ON	OFF	OFF	OFF	Note 52	474	544	614	μ sec	
V _{vmax}	Vertical output maximum voltage	13	SGa	-	Vcc	6V	GND	-	ON	OFF	1	OFF	OFF	OFF	OFF	Note 53	3.2	4.2		V _{O-P}
V _{vmin}	Vertical output minimum voltage	13	A SGa	-	Vcc	6V	GND	-	ON	OFF	1	OFF	OFF	OFF	OFF	Note 54			0.3	V
PRamp	Ramp peak voltage	15	A SGa	-	Vcc	6V	-	-	ON	OFF	1	OFF	OFF	OFF	ON	Note 55	6.4	6.8	7.2	V

*: "-" indicates OPEN.

M51391ASP

PAL/NTSC VIDEO CHROMA DEFLECTION

DEFLECTION SECTION (cont.)

Symbol	Parameter	Test point	Input A	Test conditions*													Limits			Unit
				9	12A	14	15A	Vcc	22A	Se	S14	S16	S17	S22	S24-2	S15	Note	Min.	Typ.	
VRamp	Ramp amplitude	15	A SGa	-	Vcc	6V	-	-	ON	OFF	1	OFF	OFF	OFF	ON	Note 56	1.5	1.8	2.1	Vp-p
GvV	Vertical open loop gain	13	B SGd -20dB	-	Vcc	14A 5V	5V	-	ON	ON	3	OFF	OFF	ON	OFF	Note 57	16	20	24	dB
Iss	Sync separation input sensitivity current	12	-	-	Vcc	6V	GND	-	ON	OFF	2	OFF	OFF	OFF	OFF	Note 58	0.07	0.1	0.15	mA
T _{BGP1}	Burst gate pulse timing - 1	12	A SGa	-	Vcc	6V	GND	-	ON	OFF	1	OFF	OFF	OFF	OFF	Note 59	0.35	0.5	0.7	μ sec
T _{BGP2}	Burst gate pulse timing - 2	12	A SGa	-	Vcc	6V	GND	-	ON	OFF	1	OFF	OFF	OFF	OFF	Note 60	3.2	3.6	4.1	μ sec
V _{FBP}	Flyback pulse clamp voltage	12	A SGa	-	Vcc	6V	GND	-	ON	OFF	1	OFF	OFF	OFF	OFF	Note 61	5.0	5.5	6.0	V
V _{BGP}	Burst gate pulse voltage	12	A SGa	-	Vcc	6V	GND	-	ON	OFF	1	OFF	OFF	OFF	OFF	Note 62	10.5	11.0	11.5	V
AFC2 _{min}	AFC2 interlock range	6 12B	-	-	-	6V	GND	-	OFF	OFF	3	OFF	OFF	OFF	Note 63		0.8	4	μ sec	
AFC2 _{max}	AFC2 interlock range	6 12B	-	-	-	6V	GND	-	OFF	OFF	3	OFF	OFF	OFF	Note 64		12	20	μ sec	
AFC2G	AFC2 loop gain	6 12B 12	-	-	-	6V	GND	-	OFF	OFF	3	OFF	OFF	OFF	Note 64	34	41	49	dB	

*: "-" indicates OPEN.

ELECTRICAL CHARACTERISTICS TEST METHOD

Video Section

Note1. Maximum Output "Ymax"

- a. Test amplitude when not V blanking. Wave form should be distorted at this time.

Note2. Video Amplifier Gain "GY"

- a. Test amplitude when not V blanking and make V_{cm} the testing value.

$$b. GY = 20 \times \log \frac{V_{cm} (mV_{P-P})}{200 (mV_{P-P})} (dB)$$

Note3. Contrast Control Characteristics-1 "GYmid"

- a. GY_{mid} = V_{CO} (V_{P-P})

Note4. Contrast Control Characteristics-2 "GYmin"

- a. Test amplitude when not V blanking and make V_{C1} the testing value.

$$b. GY_{min} = 20 \times \log \frac{V_{C1}}{V_{CO}} (dB)$$

Note5. Contrast Control Characteristics-3 "GYmax"

- a. Test amplitude when not V blanking and make V_{C2} the testing value.

$$b. GY_{mid} = 20 \times \log \frac{V_{C2}}{V_{CO}} (dB)$$

Note6. Video Tone Control Characteristics-1 "YTmid"

- a. Test amplitude when not V blanking and make V_{T0} the testing value.

$$b. YT_{mid} = V_{T0} (V_{p-p})$$

Note7. Video Tone Control Characteristics-2 "YTmin"

- a. Test amplitude when not V blanking and make V_{T1} the testing value.

$$b. YT_{min} = 20 \times \log \frac{V_{T1}}{V_{T0}} (dB)$$

Note8. Video Tone Control Characteristics-3 "YTmax"

- a. Test amplitude when not V blanking and make V_{T2} the testing value.

$$b. YT_{max} = 20 \times \log \frac{V_{T2}}{V_{T0}} (dB)$$

Note9. Peaking Value "YP"

- a. Test amplitude when not V blanking.
- b. Make V_{P1} the testing value when SG2 is input.
- c. Make V_{P2} the testing value when SG3 is input.

$$d. YP = 20 \times \log \frac{V_{P2}}{V_{P1}} (dB)$$

Note10. Brightness Control Characteristics-1 "Y_{BRT}mid"

- a. Test DC voltage when not V blanking.

Note11. Brightness Control Characteristics-2 "Y_{BRT}min"

- a. Same as note 10.

Note12. Brightness Control Characteristics-3 "Y_{BRT}max"

- a. Same as note 10.

PAL/NTSC VIDEO CHROMA DEFLECTION

Note13. Frequency Characteristics "Y f"

- Test amplitude when not V blanking.
 - Make V_{f1} the testing value when SG2 is input.
 - Make V_{f2} the testing value when SG3 is input.
- b. $Y_f = 20 \times \log \frac{V_{f2}}{V_{f1}}$ (dB)

Note14. Differential Gain "DG"

- Test amplitude when not V blanking.
 - Make V_{G1} the testing value when 2.7V is input into pin19.
 - Make V_{G2} the testing value when 2.0V is input into pin19.
- d. $DG = x \frac{|V_{G1} - V_{G2}|}{V_{G2}} \times 100$ (%)

Note15. Horizontal Blanking Threshold Voltage "H.BLK TH"

- Apply voltage to pin④ and increase from 8V.
- Test the voltage of pin④ when signal ceases to be output by 1A.

Note16. Vertical Blanking Voltage "Vv. BLK"

- Test voltage during V blanking.

Chroma Section**Note17.** Chroma Maximum Gain "GC"

- Test output amplitude (p-p) and refer to the value as VGC.
- b. $GC = 20 \times \log \frac{V_{GC} \text{ (mV}_{P-P})}{\text{Input Amplitude (}=7.94\text{mV}_{P-P})}$ (dB)

Note18. ACC Characteristics-1 "ACC1"

- Test output amplitude (p-p).
 - Make V_{A0} the testing value when SG5 0dB is input.
 - Make V_{A1} the testing value when SG5 -22dB is input.
- d. $ACC1 = 20 \times \log \frac{V_{A1}}{V_{A0}}$ (dB)

Note19. ACC Characteristics-2 "ACC2"

- In the same manner as in note 18, make V_{A2} the testing value when SG5 + 6dB is input.
- d. $ACC2 = 20 \times \log \frac{V_{A2}}{V_{A0}}$ (dB)

Note20. Killer Operation Input "KIL"

- Gradually attenuate the level of SG5.
- While monitoring DC voltage of pin23, input level of SG5 when voltage becomes less than 1V.

Note21. Killer Color Residual "D.KIL"

- Test output amplitude within 1H interval.

Note22. Color Control Characteristics-1 "CCmid"

- Test output amplitude (p-p) and make V_{C10} the testing value.
- d. $CC_{mid} = V_{C10} \text{ (V}_{P-P})$

Note23. Color Control Characteristics-2 "CCmin"

- Test output amplitude (p-p) and make V_{C11} the testing value.
- b. $CC_{min} = 20 \times \log \frac{V_{C11}}{V_{C10}}$ (dB)

Note24. Color Control Characteristics-3 "CCmax"

- Test output amplitude (p-p) and make V_{C12} the testing value.
- b. $CC_{max} = 20 \times \log \frac{V_{C12}}{V_{C10}}$ (dB)

Note25. APC Pull-In Range-1 "APC1"

- Set so that the frequency of SG6 is less than 4.433MHz and pin② is Lo.
 - Gradually increase the frequency of SG6.
 - Test the frequency when the voltage of pin③ changes from Lo to Hi and make F_{AU} the testing value.
- d. $APC1 = 4433619 \text{ (Hz)} - F_{AU} \text{ (Hz)}$

Note26. APC Pull-In Range-2 "APC2"

- Set so that the frequency of SG6 is more than 4.434MHz and pin② is Lo.
 - Gradually decrease the frequency of SG6.
 - Test the frequency when the voltage of pin③ changes from Lo to Hi and make F_{Ad} the testing value.
- d. $APC2 = F_{Ad} \text{ (Hz)} - 4433619 \text{ (Hz)}$

Note27. Demodulated Output DC Voltage "Ddc"

- Test DC voltage at 1A and 2A.

Note28. Demodulated Output DC Offset "Doffset"

- Calculate each voltage difference of 1A and 2A from the testing value of note 27.

Note29. Demodulation Ratio-1 "R/B"

- Test output amplitude and make D_{R-Y} the testing value.
- b. $R/B = \frac{D_{R-Y}}{D_{B-Y}}$

Note30. Demodulated Output 1H Level Difference "Δ D/H"

- Test both AC, DC for each 1H level difference.

Note31. Demodulated Output Carrier Leak "Cleak"

- Test output carrier element for 1A and 2A.

Note32. NTSC Operation Control Voltage "V_{NTSC}"

- Gradually decrease voltage of 29A from the area of 8V.
- Test the 29A voltage when signal ceases to be output by 1A.

PAL/NTSC VIDEO CHROMA DEFLECTION

Note33.Demodulation Ratio (NTSC)-1 "NTSC R/B"

a. Test output amplitude and make $NTSC_R$ the testing value.

$$b. NTSC R/B = \frac{NTSC_R}{NTSC_B}$$

Note34.PAL/NTSC Demodulated Output DC Voltage Difference "V_{PN}"

a. Test the difference in DC voltage when S₂₉ is ON and when it is OFF.

Note35.Flip-Flop Drive Voltage "V_{FF}"

a. Gradually decrease voltage of 12A from the area of 7V.

b. Test the 12A voltage when the 2A output flip-flops for each 1H.

Note36.Service Switch Operation "SS"

- No output signal from ④
- No vertical sync pulse from ⑬
- Voltage of ⑳ drops below 1V.
- Check a, b, and c.

Note37.Demodulated Output Bandwidth "D_{BW}"

a. Set frequency of SG8 to 4.5MHz, and test output amplitude of ① and ②.

b. Gradually increase the frequency of SG8.

c. Test output frequency of ① and ② when output amplitude is 3dB less than when 4.5MHz is input.

Note38.Chroma Input Dynamic Range "CD"

a. Increase the level of SG5 and test the input amplitude when output becomes distorted.

Note39.PAL Demodulated Phase Angle "∠R - Y - P"

a. Make R-Y-P the phase difference of 1A and 2A.

Note40.NTSC Demodulated Phase Angle "∠R - Y - N"

a. Make R-Y-N the phase difference of 1A and 2A.

Note41.NTSC TINT "T_{min}, T_{max}"

a. Set oscilloscope to X-Y. Connect 1A to X and 2A to Y.

b. Open 29A and set SG6 frequency to 4.433619 MHz.

c. At this time the oscilloscope waveform is shown as 180°.

d. Make T_{min} the remainder of subtracting 180° from the angle when 29A was set to 4V.

e. Make T_{max} the remainder of subtracting 180° from the angle when 29A was set to 1V.

Deflection Section**Note42.**Horizontal Oscillator Starting Voltage "V_{amin}"

a. Increase V_{cc} from 0V.

b. Test V_{cc} voltage where the output waveform cycle of ⑥ is approx. 64μs.

Note43.Horizontal Pull-In Range-1 "f_{PHIL}, f_{PHIH}"

a. Decrease the frequency of input signal so that the SGb input signal and pin ⑥ output waveform are not synchronized.

b. Increase the frequency of SGb.

c. Test the SGb frequency when SGb and pin ⑥ output waveform become synchronized and make f_{L1} the testing value.

$$d. f_{PHIL} = f_{L1} - f_H$$

e. Test the upper side pull-in in the same manner and make f_{H1} the SGb frequency when the two become synchronized.

$$f. f_{PHIH} = f_{H1} - f_H$$

Note44.Horizontal Pull-In Range-2 "f_{PH2L}, f_{PH2H}"

a. Test in the same manner as note 43 and make f_{L2} the lower side pull-in frequency, and make f_{H2} the upper side pull-in frequency.

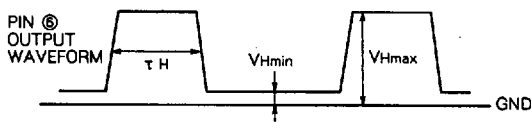
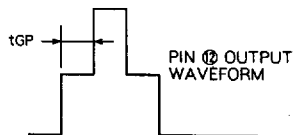
$$d. f_{PH2L} = f_{L2} - f_H$$

$$c. f_{PH2H} = f_{H2} - f_H$$

Note45.VCR Switch Threshold Voltage "V_{TR SW}"

a. Set SGb frequency of note 43 immediately preceding pull-in.

b. Increase 22A voltage from 6V and test voltage of pin ② at time of pull-in.

Note46.Horizontal Output Pulse Amplitude "τ_H"**Note47.**Horizontal Output Voltage "V_{Hmin}, V_{Hmax}"**Note48.**Burst Gate Pulse Position "t_{Gp}"**Note49.**Vertical Pull-In Range 50 (Hz) "f_{PV50}"

a. Increase the frequency of input signal so that the SGc input signal and pin ⑬ output waveform are not synchronized.

b. Decrease the frequency of SGc and test the SGc frequency when SGc and the output waveform of pin ⑬ become synchronized.

M51391ASP

PAL/NTSC VIDEO CHROMA DEFLECTION

Note50. Vertical Pull-In Range 60 (Hz) * f_{pv60} *

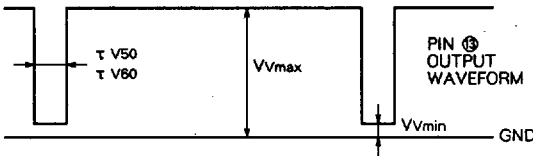
a. Same as note 49.

Note51. Vertical Output Pulse Amplitude 50 (Hz) * τ_{v50} *

Note52. Vertical Output Pulse Amplitude 60 (Hz) * τ_{v60} *

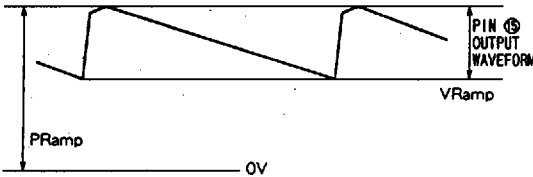
Note53. Vertical Output Maximum Voltage * V_{vmax} *

Note54. Vertical Output Minimum Voltage * V_{vmin} *



Note55. Ramp Peak Voltage * P_{Ramp} *

Note56. Ramp Amplitude * V_{Ramp} *



Note57. Vertical Open Loop Gain * G_w *

a. Test the output amplitude of pin 13 and make V_{vo} the testing value.

b. $G_{vv} = 20 \times \log \frac{V_{vo} \text{ (mV}_{P-P})}{\text{Input Amplitude (}\approx 15.8\text{mV}_{P-P})}$ (dB)

Note58. Sync Separation Input Sensitivity Current * I_{ss} *

a. Increase I_s from 0 mA.

b. Test I_s when burst gate pulse ceases to be output by 12.

Note59. Burst Gate Pulse Timing-1 * T_{BGP1} *

a. Test the time from SGa rise to burst gate pulse rise.

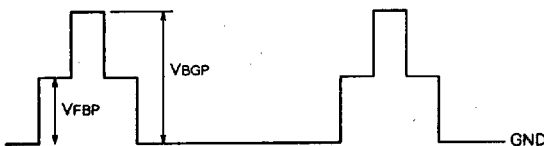
Note60. Burst Gate Pulse Timing-2 * T_{BGP2} *

a. Test burst gate pulse amplitude.

Note61. Flyback Pulse Clamp Voltage * V_{FBP} *

Note62. Burst Gate Pulse Voltage * V_{BGP} *

Note63. AFC2 Interlock Range * $AFC2_{min}$, $AFC2_{max}$ *



a. Trigger external pulse generator by pin 6 output.

b. Generate flyback pulse with external pulse generator, and input to 12B.

c. While gradually decreasing the pulse generator's pulse delay, when the position of pin 12 waveform largely differs from the output waveform of pin 6, make $AFC2_{min}$ the time between 6 rise and flyback pulse rise.

d. Increasing the pulse generator's pulse delay, test in the same manner to find the value of $AFC2_{max}$.

Note64. AFC2 Loop Gain * $AFC2G$ *

a. Test the burst gate pulse position (t_{gp}) at $AFC2_{min}$ of note 63 + 1 μs , and make t_{gpmin} the testing value.

b. Test the burst gate pulse position at $AFC2_{max}$ - 1 μs sec and make t_{gpmax} the testing value.

c. $AFC2G = 20 \times \log \frac{AFC2_{max} - AFC2_{min} - 2 (\mu \text{ Sec})}{t_{gpmin} - t_{gpmax} (\mu \text{ Sec})}$

Precautions Concerning Electrical Characteristics

- Adjust the one-shot multivibrator's potentiometer so that the timing of the horizontal input flyback pulse of pin 12 and pulse amplitude are as shown in the figure below.
- Standard Conditions of Deflection Section for Testing

Input A	9	14A	15A	Vcc	S ₆	S ₁₄	S ₁₆	S ₁₇	S ₂₂	S ₁₅
SGa	-	6V	GND		ON	OFF	1	OFF	OFF	OFF

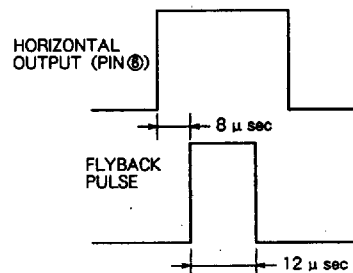
"-" indicates OPEN.

- Standard Conditions of Video/Chroma Sections for Testing Deflection Section

Input C,D,E	17A	19	20A	23A	25A	29A	S ₂₄₋₁	S ₂₆	S ₂₈	S ₃₂
	-	-	-	6V	-	6V	-	ON	OFF	OFF

"-" indicates OPEN.

- Unless designated otherwise, VCC = 12 V, Ta = 25°C.



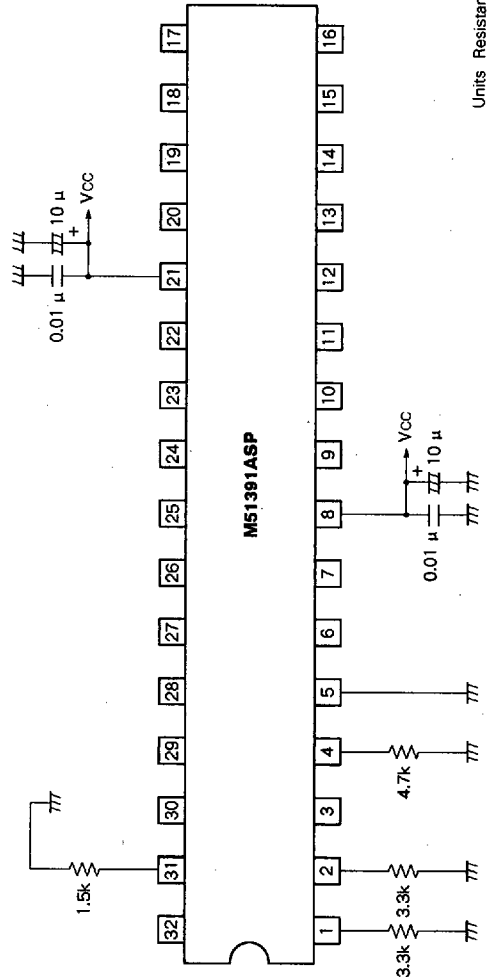
M51391ASP

PAL/NTSC VIDEO CHROMA DEFLECTION

INPUT SIGNAL

SG No.	Signal contents
SG1	100kHz CW 3VP-P
SG2	100kHz CW 200mVP-P
SG3	2MHz CW 200mVP-P
SG4	5MHz CW 200mVP-P
SG5	<p>PAL simple Chroma signal</p> <p>$f_{sb}(n) = f_{sc}(n) = 4.433619\text{MHz}$ (Same phase)</p> <p>The correlation of phases for the signals given above is shown in the figure above.</p> <p>The phase correlation with burst of $ec(n)$ and $ec(n+1)$ does not always have to be as shown in the figure on the right, especially because the phases of burst signal and chroma signal are mutually adjustable when testing phase correlation.</p>
SG6	With chroma signals for SG5, the phase of burst and chroma signals should be the same and the frequency should be adjustable.
SG7	4.42MHz CW 0.2~0.5VP-P
SG8	4.5~6MHz CW 0.3VP-P
SG9	SG5, f_{sb} (Burst) = 4.433619MHz, f_{sc} (Chroma) = 4.53MHz
SGa	<p>Input for sync separation should be APL 100% standard combined image signal 1.5VP-P for PAL system such as illustrated by the figure on the right.</p>
SGb	<p>2VP-P Duty 90%</p>
SGc	<p>2VP-P Duty 95%</p>
SGd	2kHz CW 500mVP-P = 0dB

INPUT IMPEDANCE TEST CIRCUIT

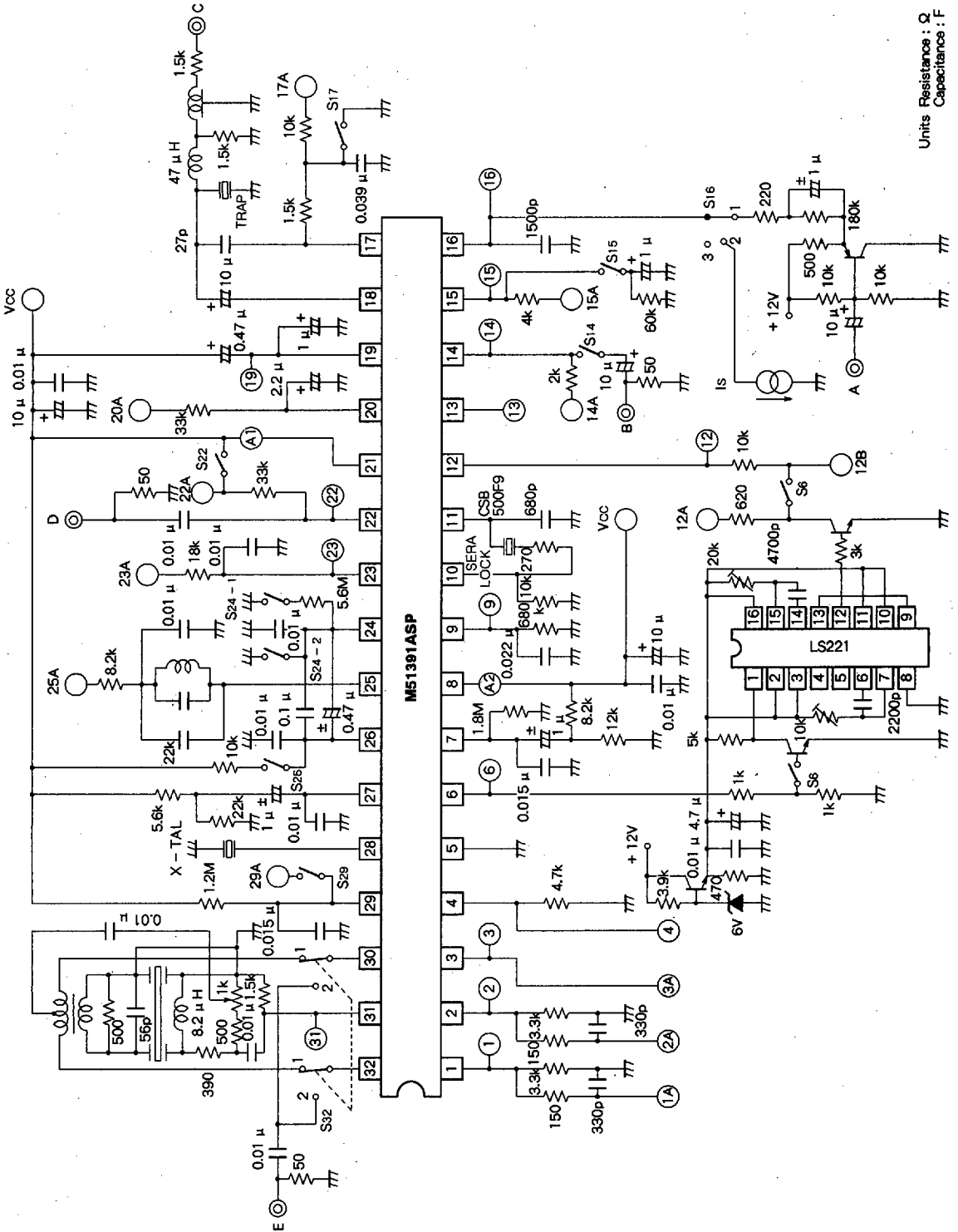


Units Resistance: Ω
Capacitance: F

M51391ASP

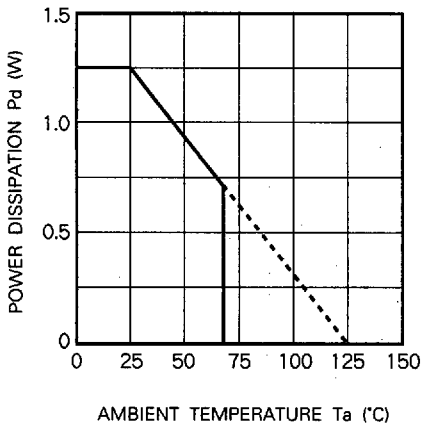
PAL/NTSC VIDEO CHROMA DEFLECTION

TEST CIRCUIT



TYPICAL CHARACTERISTICS

THERMAL DERATING (MAXIMUM RATING)



PAL/NTSC VIDEO CHROMA DEFLECTION

APPLICATION EXAMPLE

