

**PRELIMINARY**

Notice: This is not a final specification. Some parameter limits are Subject to change.

查询M54965ASP供应商

MITSUBISHI BIPOLAR DIGITAL ICs  
 捷多邦, 专业PCB打样工厂 24小时  
**M54965ASP**  
 急出货

**SERIAL INPUT PLL FREQUENCY SYNTHESIZER FOR VTR**

**DESCRIPTION**

The M54965ASP is a semiconductor integrated circuit consisting of an oxide-film separated ECL/I<sup>2</sup>L PLL frequency synthesizer. A prescaler and PLL capable of withstanding operating at a maximum frequency of 1.0GHz are housed in a single chip.

**FEATURES**

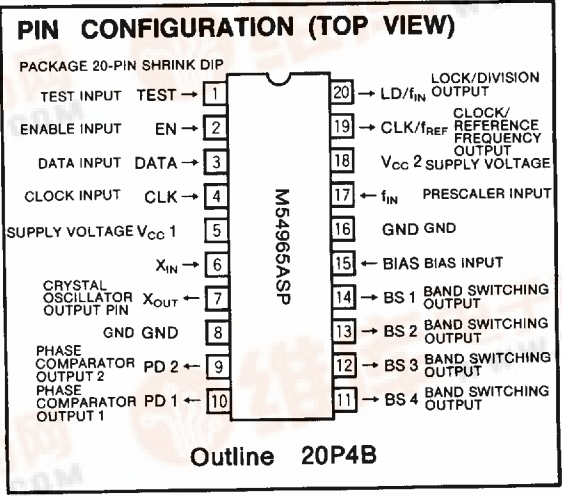
- Built-in prescaler with input amplifier  $f_{max}=1.0\text{GHz}$
- Serial data input
- Fine tuning capability (31.25KHz/step)
- Built-in band output
- 5V single power supply

**APPLICATION**

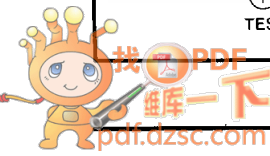
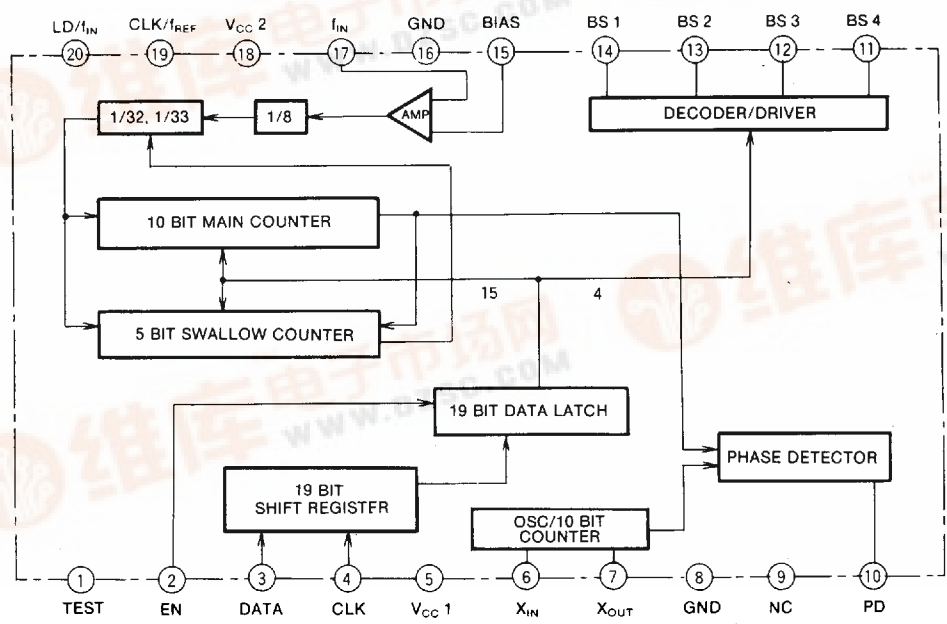
TV and VTR tuners

**FUNCTION**

The M54965ASP is a PLL frequency synthesizer IC for TV applications. The prescaler employs emitter-coupled logic, and the PLL, I<sup>2</sup>L. The maximum operating frequency of the prescaler is 1.0GHz. The first stage is a fixed 1/8 2-modulus prescaler and the second stage is a 1/32, 1/33 2-modulus prescaler. The PLL consists of a 4MHz crystal oscillator, a 10-bit reference frequency divider, a programmable divider (a 10-bit M counter and a 5-bit S counter), a phase comparator, and a lock detector. Four band switching circuits are also provided.



**BLOCK DIAGRAM**



EITM ■ 62 1555100 279 6294829 63E MITSUBISHI (DGTL LOGIC)

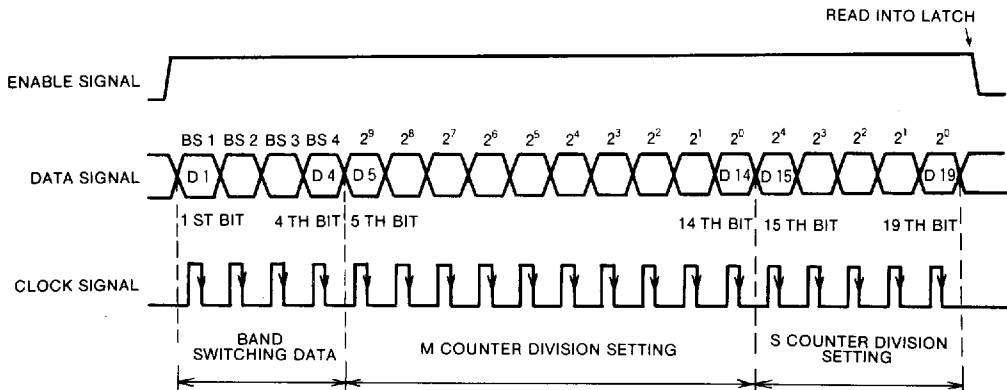
**SERIAL INPUT PLL FREQUENCY SYNTHESIZER FOR VTR**

**PIN DESCRIPTION**

Pin number	Symbol	Pin name	Functional description
5 18	$V_{CC1}$ (I <sup>2</sup> L) $V_{CC2}$ (ECL)	Supply voltage 1 (I <sup>2</sup> L) Supply voltage 2 (ECL)	Prescaler supply voltage pin I <sup>2</sup> L supply voltage pin 5.0+0.5V is applied 5.0+0.5V is applied
8 16	GND 1 (I <sup>2</sup> L) GND2(ECL)	GND 1 (I <sup>2</sup> L) GND 2 (ECL)	Connect to 0V Connect to 0V
6 7	$X_{IN}$ $X_{OUT}$	Crystal oscillator output pin	4.0MHz crystal oscillator is connected.
17 15	$f_{IN}$ BIAS	Prescaler input pin Bias pin	Prescaler input pin, V, C, O frequency is applied Prescaler bias pin, capacitance of 1000pF is inserted between GND and this pin.
2	ENABLE	Enable input	Normally set low. When high, 19-bit data is read into the shift register. When it drops from high to low, the contents of the shift registers are read into the latch.
4	CLOCK	Clock input	Data is read into shift register at the falling edge of the clock signal.
3	DATA	Data input	Programmable divider division setting input
19	CLK/ $f_{REF}$	Clock/reference frequency output	When the TEST input is low, the 500kHz clock frequency (CLK) is output. When TEST is high, the reference frequency output $f_{REF}$ is output. The reference frequency is 3.90625kHz. (Open-collector output)
20	LD/ $f_{1/N}$	Lock detector/division output	When the TEST input is low, the lock detector output (LD) is selected; when TEST is high, the programmable divider output ( $f_{1/N}$ ) is selected. The lock detector output is normally high and becomes low for a period corresponding to the phase difference between $f_{REF}$ and $f_{1/N}$ . (Open collector output)
1	TEST	TEST input	This pin is used for testing and is normally set low. When set high, $f_{REF}$ and $f_{1/N}$ outputs are selected for CLK/ $f_{REF}$ and LD/ $f_{1/N}$ , and the phase comparator output enters the high-impedance state.
10 9	PD 1 PD 2	Phase comparator output 1 Phase comparator output 2	When the phase programmable divider output ( $f_{1/N}$ ) is advanced with respect to the reference frequency ( $f_{REF}$ ), this output becomes high, and when the programmable divider output is delayed, it becomes low. When the two are in sync, this output enters the high-impedance state.
14 13 12 11	BS 1 BS 2 BS 3 BS 4	Band switching output pin	Open-collector outputs are used at all four band switching output pins. When the band switching data is high, the output is ON, and when low, the output is OFF.

### SERIAL INPUT PLL FREQUENCY SYNTHESIZER FOR VTR

How to set the dividing ratio of programmable divider and select the band switching output  
 The output is read into the latch at the falling edge of enable signal, as shown below.



Total divisor  $N$  is given by the following formulas in addition to the prescaler used in the previous stage.

$$N = 8(32M + S)$$

$M$  : 10-bit main counter division  
 $S$  : 5-bit swallow counter division

The  $M$  and  $S$  counters are binary and the possible ranges of division are as follows.

$$32 \leq M \leq 1023$$

$$0 \leq S \leq 31$$

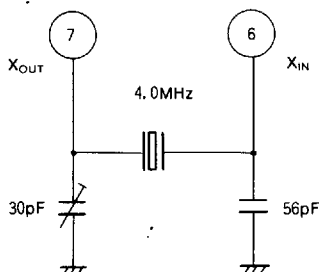
The range of divisors  $N$  is 8, 136 and 192~262.

The tuning frequency  $f_{VCO}$  is given in the following equations.

$$\begin{aligned} f_{VCO} &= f_{REF} \times N \\ &= 3,90625 \times 8(32M + S) \\ &= 31.25(32M + S)(\text{kHz}) \end{aligned}$$

Therefore, the range of tuning frequencies is 32MHz ~ 1000MHz.

### CRYSTAL OSCILLATOR CONNECTION DIAGRAM



### CRYSTAL OSCILLATOR CHARACTERISTICS

Actual resistance : less than 50Ω  
 Load capacitance : 20pF

## SERIAL INPUT PLL FREQUENCY SYNTHESIZER FOR VTR

ABSOLUTE MAXIMUM RATINGS ( $T_a = -25 \sim +75^\circ\text{C}$ , unless otherwise noted)

Symbol	Parameter	Conditions	Ratings	Unit
$V_{CC}$	Supply voltage		6.5	V
$V_I$	Input voltage	Do not exceed supply voltage ( $V_{CC}$ )	6.5	V
$V_{O1}$	Output voltage (1)	Do not exceed PD output supply voltage	5.5	V
$V_{O2}$	Output voltage (2)	Do not exceed output supply voltage ( $V_{CC}$ ) other than mentioned above	6.5	V
VBD	Output withstanding voltage	Band switching switch	13.5	V
$P_d$	Power dissipation		650	mW
$T_{opr}$	Operating temperature		$-20 \sim +75$	$^\circ\text{C}$
$T_{stg}$	Storage temperature		$-40 \sim +125$	$^\circ\text{C}$

RECOMMENDED OPERATING CONDITIONS ( $T_a = -20 \sim +75^\circ\text{C}$ , unless otherwise noted)

Symbol	Parameter	Test pin	Conditions	Limits	Unit
$V_{CC}$	Supply voltage			4.5~5.5	V
fopr 1	Operating frequency (1)		Crystal oscillator	4.0	MHz
fopr 2	Operating frequency (2)		$f_{IN}$ input	80~1000	MHz
$I_{OL}$	Low-level output current	19 20		0~5	mA
IBDL	Low-level band output current	11 12 13 14		0~1	mA

ELECTRICAL CHARACTERISTICS ( $T_a = -20 \sim 75^\circ\text{C}$ , unless otherwise noted)

Symbol	Parameter	Test pin	Test conditions	Limits			Unit	
				Min	Typ	Max		
$V_{IH}$	High-level input voltage	1, 2, 3, 4		2.0		$V_{CC} \pm 0.3$	V	
$V_{IL}$	Low-level input voltage	1, 2, 3, 4				0.7	V	
$I_{IH}$	High-level input current 1	1, 2, 3, 4	$V_{CC}=5.5\text{V}$ , $V_I=2.7\text{V}$			50	$\mu\text{A}$	
$I_{IL1}$	Low-level input current 1	1, 2, 3, 4	$V_{CC}=5.5\text{V}$ , $V_I=0.4\text{V}$		-100	-200	$\mu\text{A}$	
$I_{IL2}$	Low-level input current 2	2	$V_{CC}=5.5\text{V}$ , $V_I=0.4\text{V}$		-550	-900	$\mu\text{A}$	
$I_{IC}$	Input clamp voltage	1, 2, 3, 4	$V_{CC}=4.5\text{V}$ , $V_{IC}=1.0\text{mA}$		-1.3	-1.8	V	
$V_{OH}$	High-level output voltage	PD output	10	$V_{CC}=4.5\text{V}$ , $I_{OH}=-1.0\text{mA}$	2.5	3.0	V	
$V_{OL1}$	Low-level output voltage	PD output	10	$V_{CC}=4.5\text{V}$ , $I_{OL}=-1.0\text{mA}$		0.2	0.4	V
$V_{OL2}$		Other than above	19, 20	$V_{CC}=4.5\text{V}$ , $I_{OL}=5\text{mA}$		0.3	0.5	V
$I_{OLK1}$	Output leakage current	PD output	10	$V_{CC}=5.5\text{V}$ , $V_O=0.5 \sim 4.8\text{V}$	-1.0		+1.0	$\mu\text{A}$
$I_{OLK2}$		Other than above	19, 20	$V_{CC}=5.5\text{V}$ , $V_O=5.5\text{V}$	-10		+10	$\mu\text{A}$
$I_{CC}$	Supply current	5, 18	$V_{CC}=5.5\text{V}$		70	100	mA	

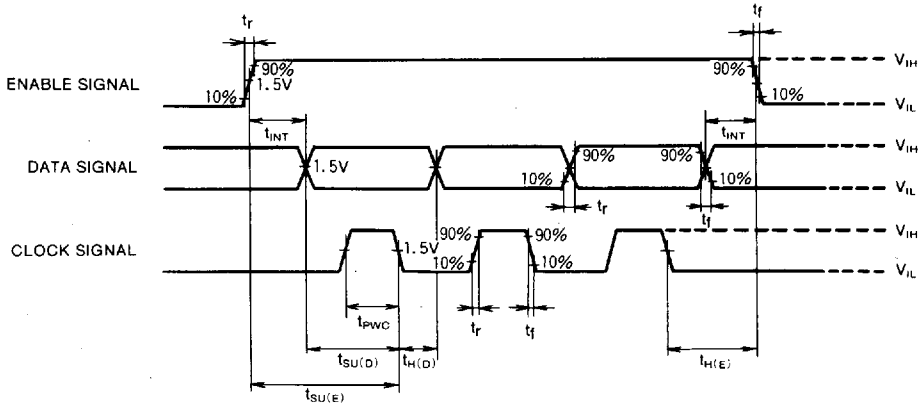
Typical values are at  $V_{CC}=5.0\text{V}$ ,  $T_a=25^\circ\text{C}$ .

SWITCHING CHARACTERISTICS ( $T_a = -20 \sim 75^\circ\text{C}$ , unless otherwise noted)

Symbol	Parameter	Test pin	Test conditions	Limits			Unit
				Min	Typ	Max	
fopr	Prescaler operating frequency	17	$V_{CC}=4.5 \sim 5.5\text{V}$ $V_{IN}=V_{INmin} \sim V_{INmax}$	80		1000	V
$V_{IN}$	Operating input voltage	17	80~150MHz 150~1000MHz	-20 -27		4 4	dBm
$t_{PWC}$	Clock pulse width	4	$V_{CC}=4.5 \sim 5.5\text{V}$	10			$\mu\text{A}$
$t_{SU(D)}$	Data setup time	3		10			$\mu\text{A}$
$t_{H(D)}$	Data hold time	3		10			$\mu\text{A}$
$t_{SU(E)}$	Enable setup time	2		20			$\mu\text{A}$
$t_{H(E)}$	Enable hold time	2		20			$\mu\text{A}$
$t_{INT}$	Enable data interval time	2, 3		10			$\mu\text{A}$
$t_r$	Rising time	2, 3, 4				1	$\mu\text{A}$
$t_f$	Falling time	2, 3, 4				1	$\mu\text{A}$

SERIAL INPUT PLL FREQUENCY SYNTHESIZER FOR VTR

TIMING DIAGRAM



APPLICATION EXAMPLE

