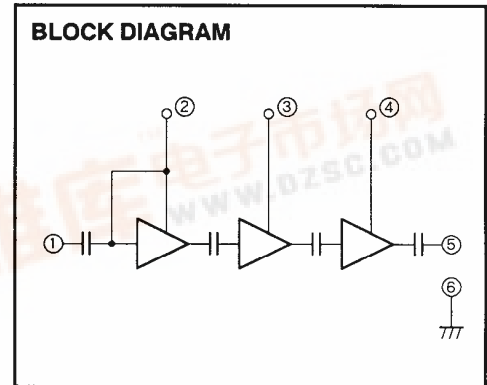
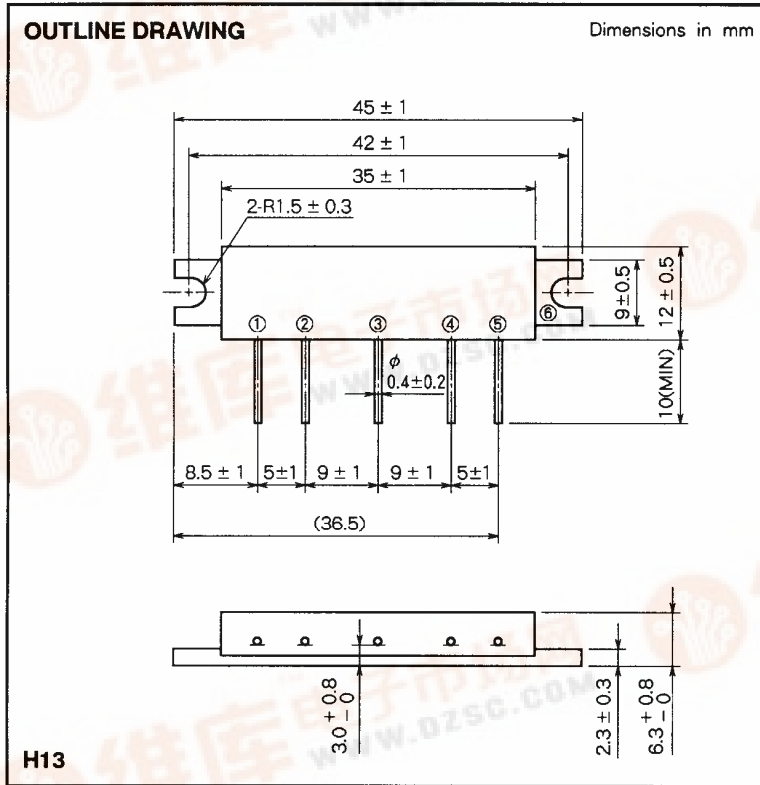


MITSUBISHI RF POWER MODULE

M67706

806-870MHz, 7.5V, 4W, FM PORTABLE RADIO



- PIN :
- ① Pin : RF INPUT
 - ② Vcc1 : 1st. DC SUPPLY
 - ③ Vcc2 : 2nd. DC SUPPLY
 - ④ Vcc3 : 3rd. DC SUPPLY
 - ⑤ Po : RF OUTPUT
 - ⑥ GND : FIN

ABSOLUTE MAXIMUM RATINGS (T_c = 25 °C, unless otherwise noted)

Symbol	Parameter	Conditions	Ratings	Unit
V _{cc}	Supply voltage		10	V
I _{cc}	Total current	Z _G = Z _L = 50 Ω	2.5	A
P _{in(max)}	Input power	f=806-870MHz, V _{cc1} ≤ 7.2V, Z _G =Z _L =50 Ω	150	mW
P _{o(max)}	Output power	f=806-870MHz, V _{cc1} ≤ 7.2V, Z _G =Z _L =50 Ω	5	W
T _{c(OP)}	Operation case temperature	Z _G = Z _L = 50 Ω	- 30 to 110	°C
T _{stg}	Storage temperature		- 40 to 110	°C

Note. Above parameters are guaranteed independently.

ELECTRICAL CHARACTERISTICS (T_c = 25 °C, unless otherwise noted)

Symbol	Parameter	Test conditions	Limits		Unit
			Min	Max	
f	Frequency range	V _{cc} = 7.5V, P _{in} = 100mW, Z _G = Z _L = 50 Ω	806	870	MHz
P _o	Output power		4		W
η _T	Total efficiency		30		%
2f _o	2nd. harmonic			- 30	dBc
ρ _{in}	Input VSWR			4	-
-	Load VSWR tolerance	f=806-825MHz, f=851-870MHz, V _{cc} =9V, P _o = 4W(Pin:controlled), Z _G = 50 Ω Load VSWR=20:1(All phase), 5sec.	No degradation or destroy		-

Note. Above parameters, ratings, limits and conditions are subject to change.



TYPICAL PERFORMANCE DATA

