



一華半導體股份有限公司
MOSDESIGN SEMICONDUCTOR CORP.

TAIPEI : TEL : 886-2- 22783733
FAX : 886-2- 22783633
H.K. TEL : 852- 27569109
FAX : 852- 27566961

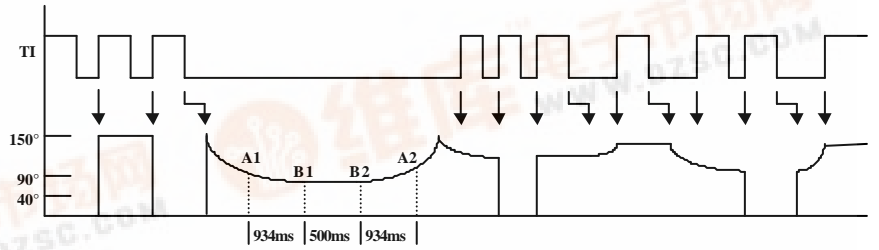
CONTINUOUS, ON/OFF
LIGHT DIMMER

連續, 開/關
調光器

DIMMER	
M7232	

FEATURES 功能敘述

- Output phase angle : $41^{\circ} \sim 159^{\circ}$
- Output pulse width : $33 \mu s$.
- Operated on 50/60 Hz line frequency.
- Sensor duration : ON/OFF 50~332 ms
- Dimming 350 ms ~ infinite



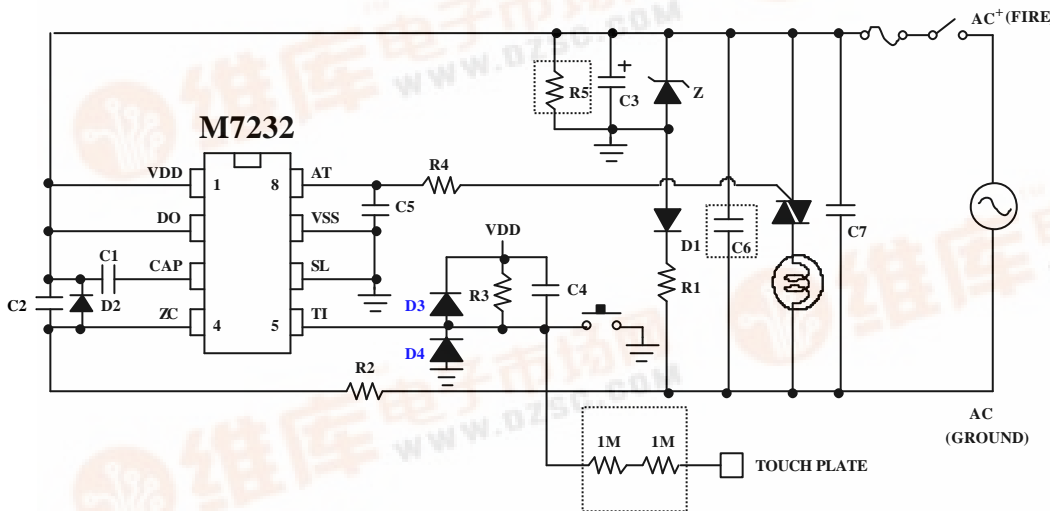
APPLICATION 產品應用

Light dimmer, AC motor speed controller.

ELECTRICAL CHARACTERISTICS 電氣規格

Characteristics	Sym.	Min.	Typ.	Max.	Unit	REMARKS
工作電壓 Operating Voltage	V_{DD}	4.5	6	8	V	
工作電流 Operating Current	I_{OP}	0.1	0.2	0.3	mA	No load
推動電流 Driving Current	I_{OL}		10		mA	@ $V_{DS}=1V$
工作溫度 Operating Temperature	Temp.	-10	25	80		

APPLICATION DIAGRAM 參考電路圖



C1	0.033 μF ~ 0.068 μF
C2	4700PF
C3	47 $\mu F/25V$
C4	680PF
C5	0.1 μF
C6	0.1 $\mu F/250 \sim 400V$
C7	0.1 $\mu F/250 \sim 400V$
R1	39K/2W(110V) 75K/2W(220V)
R2	1.5M
R3	1M~5M
R4	100~560
R5	10K
D1	4007
D2	1N4148
D3	1N4148
D4	1N4148
Z	6.2V/1W
FUSE	110V/1A 220V/1A