

# MA367

## Silicon epitaxial planer type

For UHF and VHF electronic tuner AFC

### ■ Features

- Large capacity variation ratio
- Small series resistance  $r_D$
- S-Mini package, enabling down-sizing of the equipment and automatic insertion through taping

### ■ Absolute Maximum Ratings ( $T_a = 25^\circ\text{C}$ )

Parameter	Symbol	Rating	Unit
Reverse voltage (DC)	$V_R$	30	V
Peak reverse voltage	$V_{RM}$	34	V
Junction temperature	$T_j$	150	$^\circ\text{C}$
Storage temperature	$T_{stg}$	- 55 to +150	$^\circ\text{C}$

\*  $R_L = 10\text{k}\Omega$

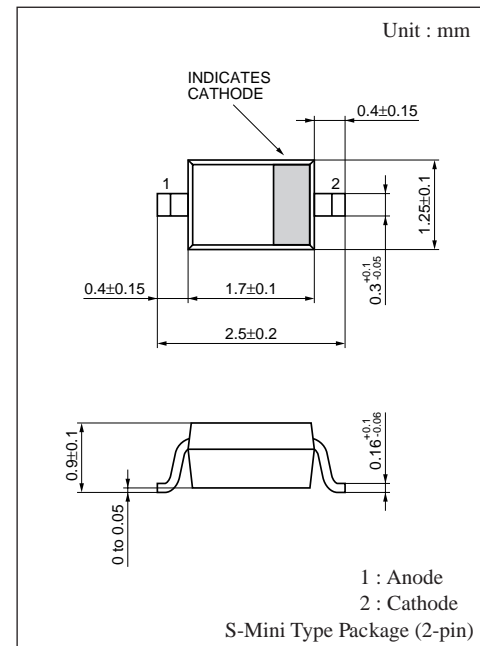
### ■ Electrical Characteristics ( $T_a = 25^\circ\text{C}$ )

Parameter	Symbol	Condition	min	typ	max	Unit
Reverse current (DC)	$I_R$	$V_R = 30\text{V}$			10	nA
Diode capacitance	$C_{D(2V)}$	$V_R = 2\text{V}, f = 1\text{MHz}$	10.5		16.0	pF
	$C_{D(10V)}$	$V_R = 10\text{V}, f = 1\text{MHz}$	3.3		5.7	pF
Capacitance ratio	$C_{D(2V)}/C_{D(10V)}$		2.8		3.4	—
Series resistance	$r_D^*$	$C_D = 9\text{pF}, f = 470\text{MHz}$			1.6	$\Omega$

Note 1. Rated input/output frequency : 470MHz

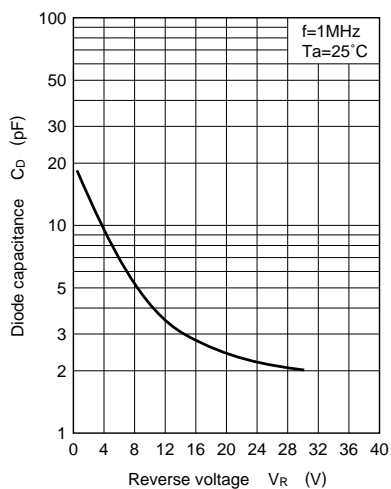
2. \*  $r_D$  measurement device : YHP MODEL 4191A RF IMPEDANCE ANALYZER

### ■ Marking

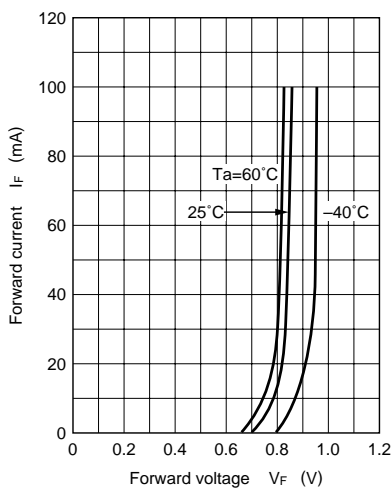


Marking Symbol : 6K

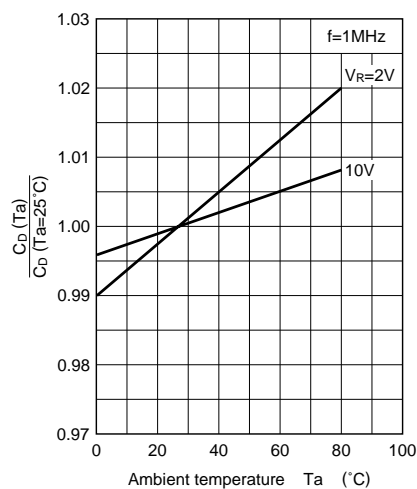
$C_D - V_R$



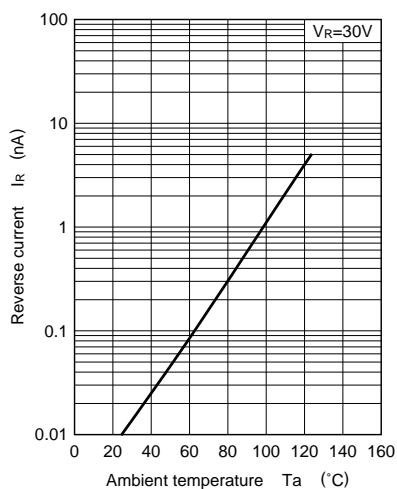
$I_F - V_F$



$C_D - T_a$



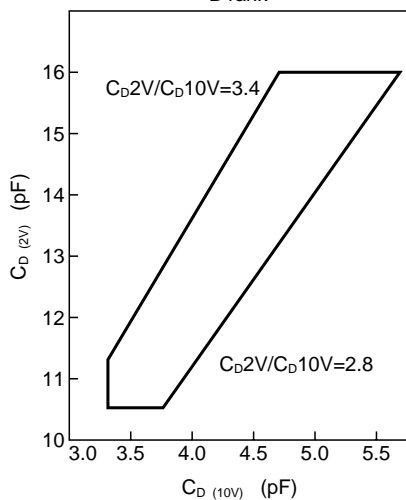
$I_R - T_a$



**$C_D$  rank classification**

**AFC variable capacitance gap classification table**

B rank



Copyright © Each Manufacturing Company.

All Datasheets cannot be modified without permission.

This datasheet has been download from :

[www.AllDataSheet.com](http://www.AllDataSheet.com)

100% Free DataSheet Search Site.

Free Download.

No Register.

Fast Search System.

[www.AllDataSheet.com](http://www.AllDataSheet.com)