

E-Series RF 1:4 Flux Coupled Step-up Transformer

MABAES0008

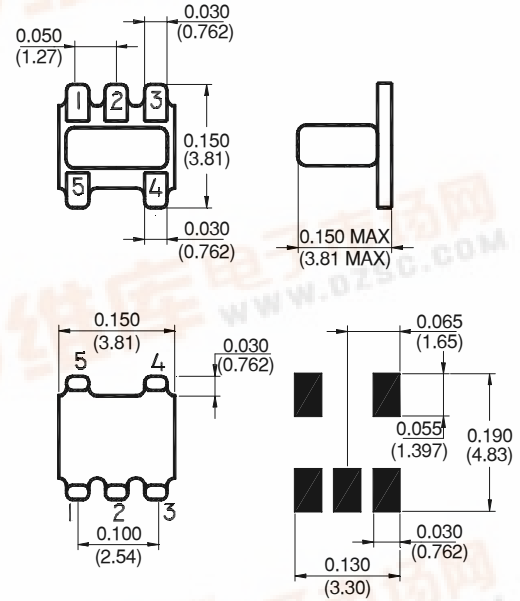


Features

- Surface Mount
- 1:4 Impedance Ratio
- CT on Secondary
- Available on Tape & Reel



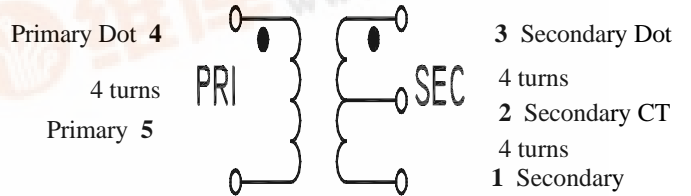
SM-22 Package



Description

M/A-COM's MABAES0008 is a 1:4 RF flux coupled step-up transformer in a low cost, surface mount package. Ideally suited for high volume applications.

Schematic



Electrical Specifications @25°C

| Parameter | Units | Nominal | Maximum | Mean (x) | Sigma (σ) |
|--------------------------------|-------------|---------|---------|----------|-----------|
| Frequency Range 1 - 350 | MHz | — | — | — | — |
| Insertion Loss ($f_L - f_U$) | 5 - 100 MHz | — | 1.0 | — | — |
| | 2 - 300 MHz | — | 2.0 | 1.21 | 0.032 |
| | 1 - 350 MHz | — | 3.0 | — | — |
| Amplitude Unbalance | 5 - 100 MHz | — | 0.1 | — | — |
| | 1 - 350 MHz | — | 0.5 | — | — |
| Phase Unbalance | 5 - 100 MHz | — | 1.0 | — | — |
| | 1 - 350 MHz | — | 5.0 | — | — |

Please Note that the photograph above indicates typical package only, not actual unit.



Absolute Maximum Ratings

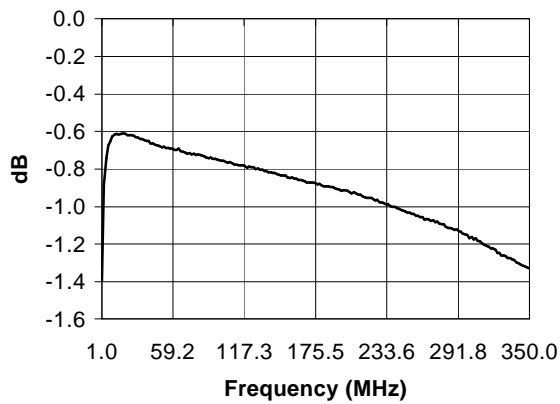
| Parameter | Absolute Maximum |
|-----------------------|------------------|
| RF Power | 250 mW |
| DC Current | 30 mA |
| Operating Temperature | -20°C to +85°C |
| Storage Temperature | -20°C to +85°C |

Functional Configuration

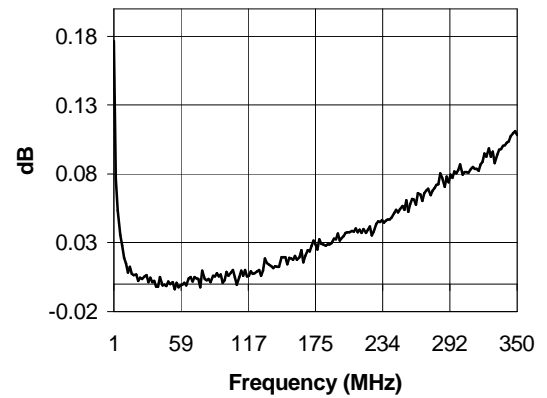
| Function | Pin No. |
|---------------|---------|
| Primary Dot | 4 |
| Primary | 5 |
| Primary CT | — |
| Secondary Dot | 3 |
| Secondary | 1 |
| Secondary CT | 2 |
| Case Ground | — |
| Not Connected | — |

Typical Performance @ +25°C

Insertion Loss



Amplitude Unbalance



Phase Unbalance

