

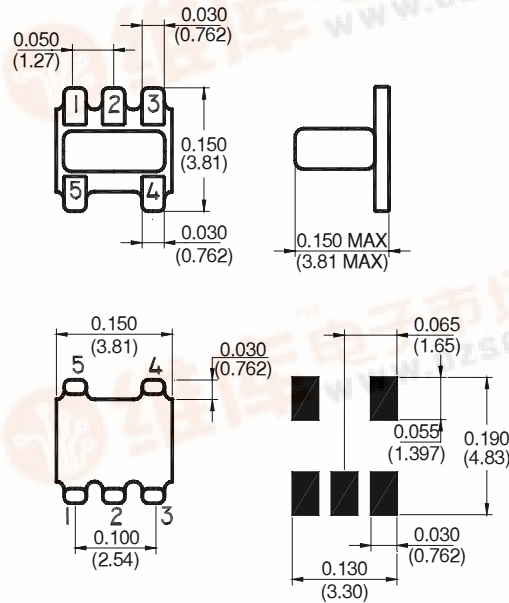
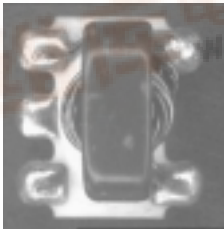
M/A-COM E-Series RF 4:1 Transformer

20 - 1000 MHz

SM-22 Package

Features

- Surface Mount
- 4:1 Impedance Ratio



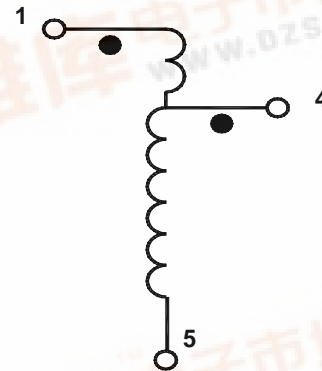
Description

M/A-COM's MABAES0034 is a 4:1 RF transformer in a low cost, surface mount package. Ideally suited for high volume cellular and wireless applications.

Functional Configuration

Function	Pin No.
Primary dot	1
Primary	5
Primary CT	-
Secondary dot	4
Secondary	5
Secondary CT	-
Case Ground	-
Not Connected	2,3

Schematic



Absolute Maximum Ratings

Parameter	Absolute Maximum
RF Power	250 mW
DC Current	30 mA
Storage Temperature	-55°C to +100°C

Electrical Specifications @25°C

Parameter	Units	Nominal	Typical	Minimum	Maximum
Frequency Range 20 - 1000	MHz	—	—	—	—
Insertion Loss ($f_L - f_U$)	dB	—	20 - 500 MHz	1.8	2.0
			500 - 1000 MHz	2.2	2.5

Note: photograph above indicates package only, not actual unit.

Specifications subject to change without notice.

North America: Tel. (800) 366-2266, Fax (800) 618-8883
 Asia/Pacific: Tel. +81-44-844-8296, Fax +81-44-844-8298