



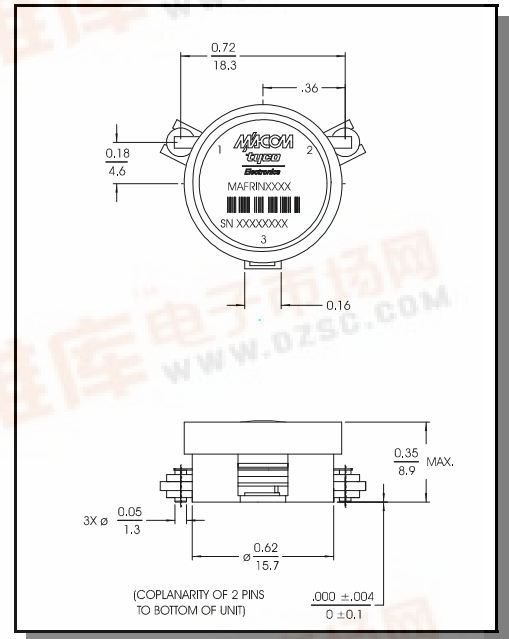
MAFRIN0203, MAFRIN0204, MAFRIN0205

Miniature Surface Mount Isolators

Features

- Designed for Wireless Telecommunication Systems: GSM1800, PCS1900, UMTS2100 (3G)
- High performance at low cost in a miniaturized package.
- Small size, 0.6" Vs. industry standard of 1"
- Low Mass, less than 9.0 grams vs. industry standard of greater than 18.0 grams.
- The small size utilizes less real estate on the customer RF board while providing equal or better RF performance than the industry 1 inch standard.
- Incorporates a patented Robust Lead approach which withstands the most severe shipping, handling and processing procedures without degradation in RF or mechanical performance
- One piece housing and patented robust lead design guarantees co-planarity between the contacts and the ground plane of 0.1 mm.
- The small size and low mass make the device suitable for automatic pick and place systems and for solder reflow profiles. This hands-free soldering further lowers the cost of ownership.
- Tape-and-reel packaging being investigated
- Environmentally safe materials used, no lead option available.

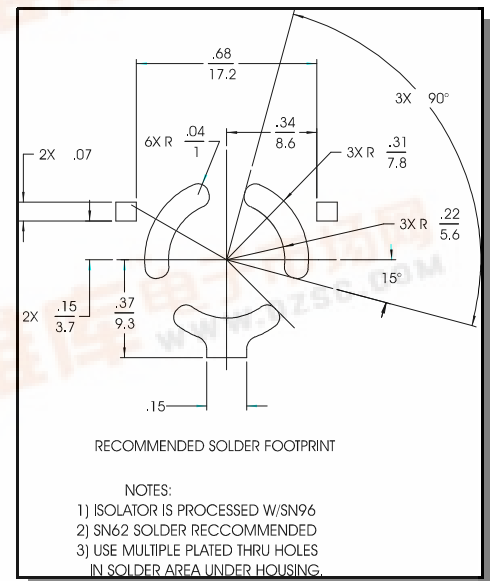
Outline Drawing



Description

M/A-COM's surface mount and drop-in circulators and isolators, designed for wireless Base Station and Power Amplifier applications, feature high reliability performance at a low cost. These proven robust designs are qualification tested. Tests include temperature cycling, high temperature exposure, vibration, shock, and corrosion / moisture testing. These designs feature a low cost package ideally suited for high volume manufacturing. M/A-COM is the world's largest supplier of surface mount and drop-in isolators and circulators for the wireless infrastructure market.

Mounting Dimensions



Specifications

Parameter	
Isolation	20 dB Min. 25 dB Typical
Insertion Loss	0.35 Max. 0.25 dB Typical
Forward Power	20 Watts
Reflected Power	10 Watts
VSWR	1.22:1 Max.
Operating Temperature	-10 °C to +70 °C

Model Number	Frequency Range
MAFRIN0203	1805 -1880 MHz
MAFRIN0204	1930 - 1990 MHz
MAFRIN0205	2110 –2170 MHz

M/A-COM Inc. and its affiliates reserve the right to make changes to the product(s) or information contained herein without notice. MA-COM makes no warranty, representation or guarantee regarding the suitability of its products for any particular purpose, nor does M/A-COM assume any liability whatsoever arising out of the use or application of any product(s) or information.

Visit www.macom.com for additional data sheets and product information.

- North America: Tel. (800) 366-2266
- Asia/Pacific: Tel.+81-44-844-8296, Fax +81-44-844-8298
- Europe: Tel. +44 (1344) 869 595, Fax+44 (1344) 300 020