



MCRF355/360

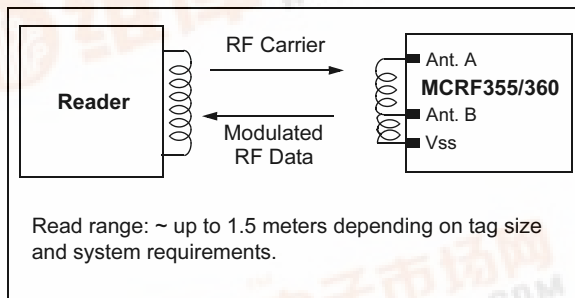
13.56 MHz Passive RFID Device with Anti-Collision Feature

Features

- Carrier frequency: 13.56 MHz
- Data modulation frequency: 70 kHz
- Manchester coding protocol
- 154 bits of user memory
- On-board 100 ms SLEEP timer
- Built-in anti-collision algorithm for reading up to multiple tags in the same RF field
- "Cloaking" feature to minimize the detuning effects of adjacent tags
- Internal 100 pF resonant capacitor (MCRF360)
- Read only device in RF field
- Long read range
- Rewritable with contact programmer or factory-programmed options
- Very low power CMOS design
- Die, wafer, bumped wafer, COB, PDIP or SOIC package options

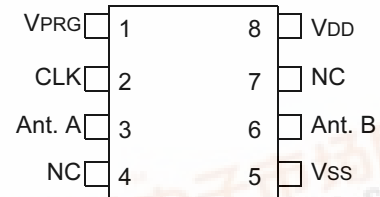
Application

- Book store and library book ID
- Airline baggage tracking
- Toys and gaming tools
- Access control/asset tracking
- Applications for reading multiple tags and long read range



Package Type

PDIP/SOIC

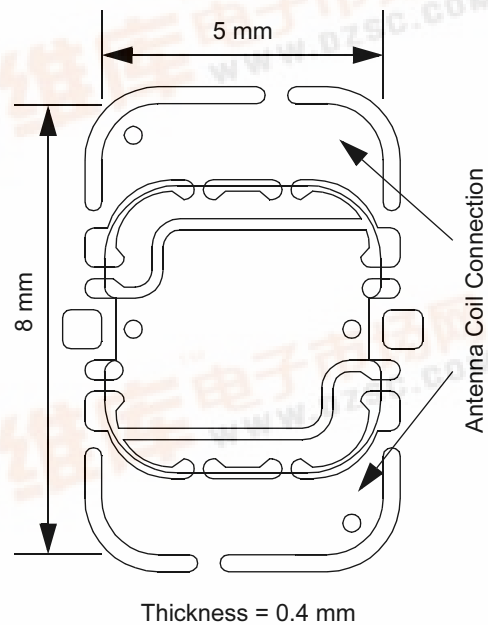


Note: Pins 1, 2, 5 and 8 are for device testing and contact programming.

Pins 3, 5 and 6 are for external antenna connection.

NC = Not connected

MCRF355 COB



MCRF355/360

Description

The MCRF355 and MCRF360 are Microchip's 13.56 MHz microID™ family of RFID tagging devices. They are uniquely designed read-only passive Radio Frequency Identification (RFID) devices with an advanced anti-collision feature. They are programmable with a contact programmer. The device is powered remotely by rectifying RF magnetic fields that are transmitted from the reader.

The device has a total of six pads (see Figure 1-1). Three (ant. A, B, Vss) are used to connect the external resonant circuit elements. The additional three pads (VPRG, CLK, VDD) are used for programming and testing of the device.

The device needs an external resonant circuit between antenna A, B, and Vss pads. The resonant frequency of the circuit is determined by the circuit elements between the antenna A and Vss pads. The resonant circuit must be tuned to the carrier frequency of the reader for maximum performance. The circuit element between the antenna B and Vss pads is used for data modulation. See Application Note AN707 for further operational details.

The MCRF360 includes a 100 pF internal resonant capacitor (100 pF). By utilizing this internal resonant capacitor, the device needs external coils only for the resonant circuit. Examples of the resonant circuit configuration for both the MCRF355 and MCRF360 are shown in Section 3.0.

When a tag (device with the external LC resonant circuit) is brought to the reader's RF field, it induces an RF voltage across the LC resonant circuit. The device rectifies the RF voltage and develops a DC voltage. The device becomes functional as soon as VDD reaches the operating voltage level.

The device includes a modulation transistor that is located between antenna B and Vss pads. The transistor has high turn-off (a few MΩ) and low turn-on (3 Ω) resistance. The turn-on resistance is called modulation resistance (RM). When the transistor turns off, the resonant circuit is tuned to the carrier frequency of the reader. This condition is called unclocking. When the modulation transistor turns on, its low turn-on resistance shorts the external circuit element between the antenna B and Vss. As a result, the resonant circuit no longer resonates at the carrier frequency. This is called cloaking.

The induced voltage amplitude (on the resonant circuit) changes with the modulation data: higher amplitude during unclocking (tuned), and lower amplitude during cloaking (detuned). This is called "amplitude modulation" signal. The receiver channel in the reader detects this amplitude modulation signal and reconstructs the modulation data.

The occurrence of the cloaking and unclocking of the device is controlled by the modulation signal that turns the modulation transistor on and off, resulting in communication from the device to the reader.

The data stream consists of 154 bits of Manchester-encoded data at a 70 kHz rate. The Manchester code waveform is shown in Figure 2-2. After completion of the data transmission, the device goes into SLEEP mode for about 100 ms. The device repeats the transmitting and SLEEP cycles as long as it is energized. During the SLEEP time the device remains in an uncloaked state.

SLEEP time is determined by a built-in low-current timer. There is a wide variation of the SLEEP time between each device. This wide variation of SLEEP time results in a randomness of the time slot. Each device wakes up and transmits its data in a different time slot with respect to each other. Based on this scenario, the reader is able to read many tags that are in the same RF field.

The device has a total of 154 bits of reprogrammable memory. All bits are reprogrammable by a contact programmer. A contact programmer (part number PG103003) is available from Microchip Technology Inc. Factory programming prior to shipment, known as Serialized Quick Turn ProgrammingSM (SQTPSM), is also available. The device is available in die, wafer, bumped wafer, wafer-on-frame, PDIP, SOIC and COB modules.

Note: Information provided herein is preliminary and subject to change without notice.

MCRF355/360

1.0 ELECTRICAL CHARACTERISTICS

TABLE 1-1: ABSOLUTE RATINGS

Parameters	Symbol	Min	Max	Units	Conditions
Coil Current	IPP_AC	—	40	mA	Peak-to-Peak coil current
Assembly temperature	TASM	—	265	°C	< 10 sec
Storage temperature	TSTORE	-65	150	°C	—

TABLE 1-2: DC CHARACTERISTICS

All parameters apply across the specified operating ranges, unless otherwise noted.		Commercial (C): T _{AMB} = -20°C to 70°C				
Parameters	Symbol	Min	Typ	Max	Units	Conditions
Reading voltage	VDDR	2.4	—	—	V	VDD voltage for reading
Hysteresis voltage	VHYST	—	TBD	—	TBD	—
Operating current	IDDR	—	7	10	μA	VDD = 2.4V during reading at 25°C
Testing voltage	VDDT	—	4	—	V	—
Programming voltage:						
High level input voltage	VIH	0.7 * VDDT	—	—	V	External DC voltage for programming and testing
Low level input voltage	VIL	—	—	0.3 * VDDT	V	
High voltage	VHH	—	20	—	V	
Current leakage during SLEEP time	IDD_OFF	—	10	—	nA	(Note 1)
Modulation resistance	RM	—	3	4	Ω	DC resistance between Drain and Source gates of the modulation transistor (when it is turned on)
Pull-Down resistor	RPDW	5	8	—	kΩ	CLK and VPRG internal pull-down resistor

Note 1: This parameter is not tested in production.

MCRF355/360

TABLE 1-3: AC CHARACTERISTICS

All parameters apply across the specified operating ranges, unless otherwise noted.	Commercial (C): T _{AMB} = -20°C to 70°C						
	Parameters	Symbol	Min	Typ	Max	Units	Conditions
Carrier frequency	FC		13.56			MHz	Reader's transmitting frequency
Modulation frequency	FM	58	70	82		kHz	Manchester coding, at V _{DD} = 2.6 VDC - 5 VDC
Coil voltage during reading	V _{PP_AC}	4	—	—		V _{PP}	Peak-to-Peak AC voltage across the coil during reading
Coil clamp voltage	V _{CLMP_AC}	—	32	—		V _{PP}	Peak-to-Peak coil clamp voltage
Test mode clock frequency	F _{CLK}		115	500		kHz	25°C
SLEEP time	T _{OFF}	50	100	200		ms	Off time for anti-collision feature, at 25°C and V _{DD} = 2.5 VDC
Internal resonant capacitor (MCRF360)	C _{RES}	85	100	115		pF	Internal resonant capacitor between Antenna A and V _{SS} , at 13.56 MHz
Write/Erase pulse width	T _{WC}	—	2	10		ms	Time to program bit, at 25°C
Clock high time	T _{HIGH}	—	4.4	—		μs	25°C for testing and programming
Clock low time	T _{LOW}	—	4.4	—		μs	25°C for testing and programming
STOP condition pulse width	T _{PW:STO}	—	1000	—		ns	25°C for testing and programming
STOP condition setup time	T _{SU:STO}	—	200	—		ns	25°C for testing and programming
Setup time for high voltage	T _{SU:HH}	—	800	—		ns	25°C for testing and programming
High voltage delay time	T _{DL:HH}	—	800	—		ns	Delay time before the next clock, at 25°C for testing and programming
Data input setup time	T _{SU:DAT}	—	450	—		ns	25°C for testing and programming
Data input hold time	T _{HD:DAT}	—	1.2	—		μs	25°C for testing and programming
Output valid from clock	T _{AA}	—	200	—		ns	25°C for testing and programming
Data retention	—	200		—		Years	For T < 120°C

MCRF355/360

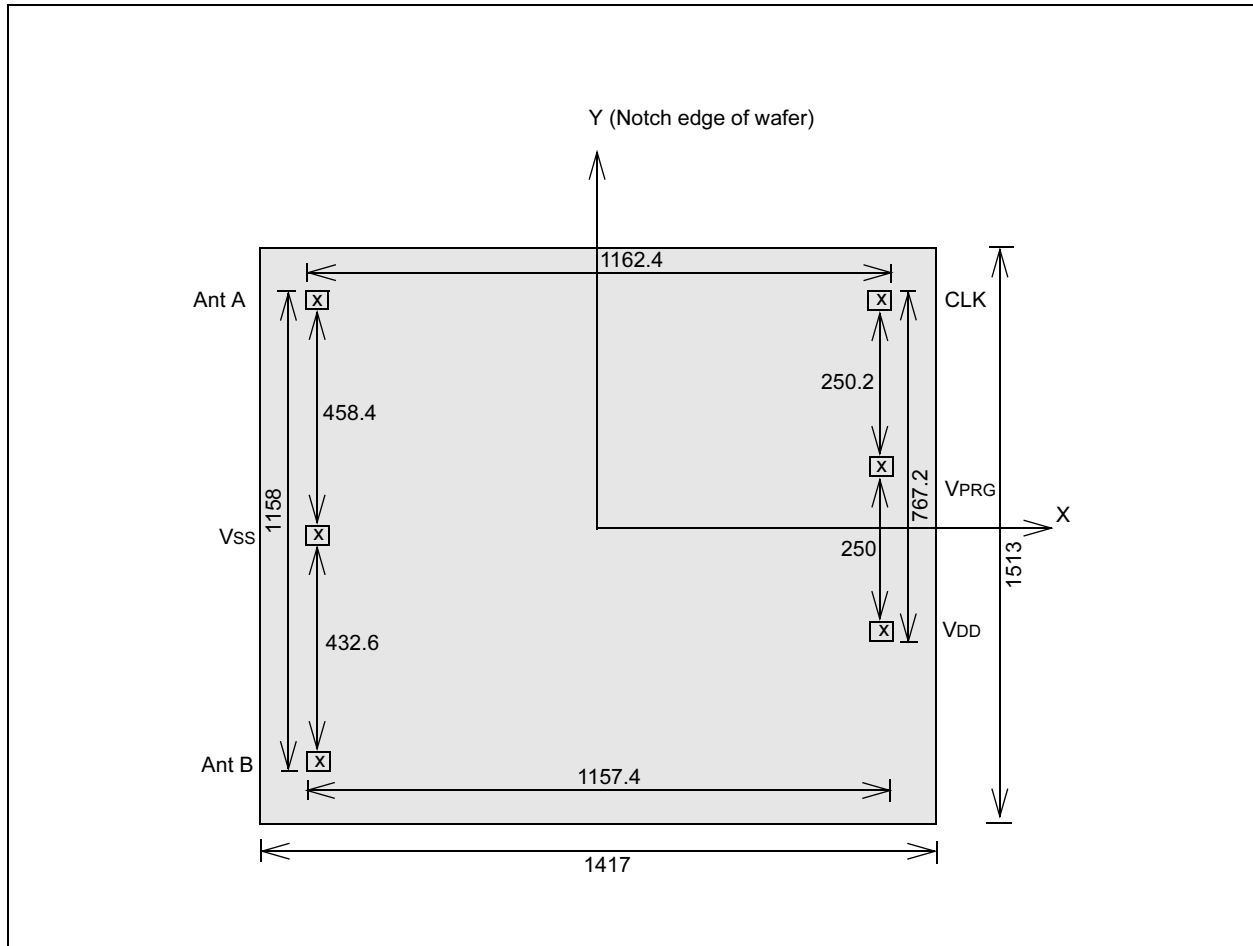
TABLE 1-4: PAD COORDINATES (MICRONS)

Pad Name	Lower Left X	Lower Left Y	Upper Right X	Upper Right Y	Passivation Openings		Pad Center X	Pad Center Y
					Pad Width	Pad Height		
Ant. A	-610.0	489.2	-521.0	578.2	89	89	-565.5	533.7
Ant. B	-605.0	-579.8	-516.0	-490.8	89	89	-560.5	-535.3
Vss	-605.0	-58.2	-516.0	30.8	89	89	-560.5	-13.7
VDD	463.4	-181.4	552.4	-92.4	89	89	507.9	-136.9
CLK	463.4	496.8	552.4	585.8	89	89	507.9	541.3
VPRG	463.4	157.6	552.4	246.6	89	89	507.9	202.1

Note 1: All coordinates are referenced from the center of the die. The minimum distance between pads (edge to edge) is 10 mil.

2: Die Size = 1.417 mm x 1.513 mm = 1417 μm x 1513 μm = 55.79 mil x 59.57 mil

FIGURE 1-1: DIE LAYOUT



Die size before saw:

1417 μm x 1513 μm
55.79 mil x 59.57 mil

Die size after saw:

1353.8 μm x 1450.34 μm
53.3 x 57.1 mil

Bond pad size:

89 μm x 89 μm
3.5 mil x 3.5 mil

MCRF355/360

TABLE 1-5: PAD FUNCTION TABLE

Name	Function
Ant. A	Connected to external resonant circuit, (Note 1)
Ant. B	Connected to external resonant circuit, (Note 1)
VSS	Connected to external resonant circuit, (Note 1) Device ground during Test mode
VDD	DC voltage supply for programming and Test mode
CLK	Main clock pulse for programming and Test mode
VPRG	Input/Output for programming and Test mode

Note 1: See Figure 3-1 for the connection with external resonant circuit.

TABLE 1-6: DIE MECHANICAL DIMENSIONS

Specifications	Min.	Typ.	Max.	Unit	Comments
Wafer Diameter	—	8	—	inch	
Die separation line width	—	80	—	μm	
Dice per wafer	—	12,000	—	die	
Batch size	—	24	—	wafer	
Bond pad opening	—	3.5 x 3.5 89 x 89	—	mil μm	(Note 1, Note 2)
Die backgrind thickness	7.5 190.5	8 203.2	8.5 215.9	mil μm	Sawed 8" wafer on frame (option = WF) (Note 3)
	10 254	11 279.4	12 304.8	mil μm	• Bumped, sawed 8" wafer on frame (option = WFB) • Unsawed wafer (option = W) • Unsawed 8" bumped wafer (option = WB), (Note 3)
Die passivation thickness (multilayer)	—	1.3	—	μm	(Note 4)
Die Size:					
Die size X*Y before saw (step size)	—	55.79 x 59.57	—	mil	—
Die size X*Y after saw	—	53.3 x 57.1	—	mil	—

Note 1: The bond pad size is that of the passivation opening. The metal overlaps the bond pad passivation by at least 0.1 mil.

Note 2: Metal Pad Composition is 98.5% Aluminum with 1% Si and 0.5% Cu.

Note 3: As the die thickness decreases, susceptibility to cracking increases. It is recommended that the die be as thick as the application will allow.

Note 4: The Die Passivation thickness (1.3 μm) can vary by device depending on the mask set used.

- Layer 1: Oxide (undoped oxide)
- Layer 2: PSG (doped oxide)
- Layer 3: Oxynitride (top layer)

Note 5: The conversion rate is 25.4 μm/mil.

Note: Extreme care is urged in the handling and assembly of die products since they are susceptible to mechanical and electrostatic damage.

2.0 FUNCTIONAL DESCRIPTION

The device contains three major sections: (1) Analog Front-End, (2) Controller Logic and (3) Memory. Figure 2-1 shows the block diagram of the device.

2.1 Analog Front-End Section

This section includes power supply, Power-on Reset, and data modulation circuits.

2.1.1 POWER SUPPLY

The power supply circuit generates DC voltage (VDD) by rectifying induced RF coil voltage. The power supply circuit includes high-voltage clamping diodes to prevent excessive voltage development across the antenna coil.

2.1.2 POWER-ON-RESET (POR)

This circuit generates a Power-on Reset when the tag first enters the reader field. The RESET releases when sufficient power has developed on the VDD regulator to allow for correct operation.

2.1.3 DATA MODULATION

The data modulation circuit consists of a modulation transistor and an external LC resonant circuit. The external circuit must be tuned to the carrier frequency of the reader (i.e., 13.56 MHz) for maximum performance.

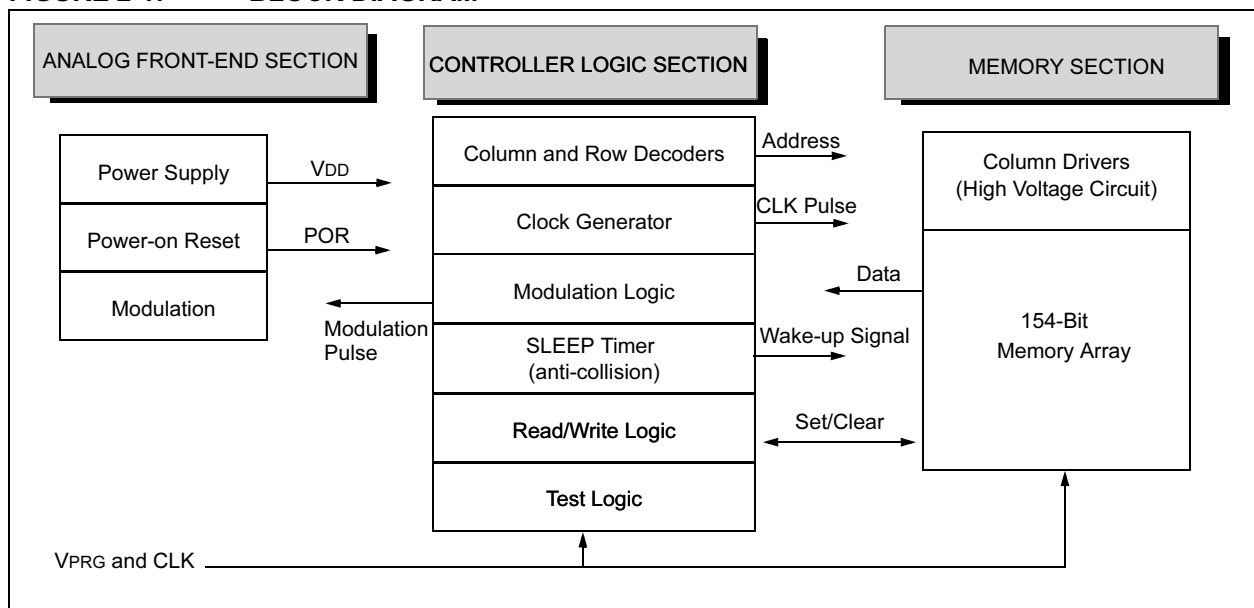
The modulation transistor is placed between antenna B and Vss pads and has small turn-on resistance (RM). This small turn-on resistance shorts the external circuit between the antenna B and Vss pads as it turns on.

The transistor turns on during the “Hi” period of the modulation data and turns off during the “Lo” period.

When the transistor is turned off, the resonant circuit resonates at the carrier frequency. Therefore, the external circuit develops maximum voltage across it. This condition is called unclanking (tuned). When the transistor is turned on, its low turn-on resistance shorts the external circuit, and therefore the circuit no longer resonates at the carrier frequency. The voltage across the external circuit is minimized. This condition is called clanking (detuned).

The device transmits data by clanking and unclanking based on the on/off condition of the modulation transistor. Therefore, with the 70 kHz - Manchester format, the data bit “0” will be sent by clanking (detuned) and unclanking (tuned) the device for 7 μs each. Similarly, the data bit “1” will be sent by unclanking (tuned) and clanking (detuned) the device for 7 μs each. See Figure 2-2 for the Manchester waveform.

FIGURE 2-1: BLOCK DIAGRAM



MCRF355/360

2.2 Controller Logic Section

2.2.1 CLOCK PULSE GENERATOR

This circuit generates a clock pulse (CLK). The clock pulse is generated by an on-board time-base oscillator. The clock pulse is used for baud rate timing, data modulation rate, etc.

2.2.2 MODULATION LOGIC

This logic acts upon the serial data (154 bits) being read from the memory array. The data is then encoded into Manchester format. The encoded data is then fed to the modulation transistor in the Analog Front-End section. The Manchester code waveform is shown in Figure 2-2.

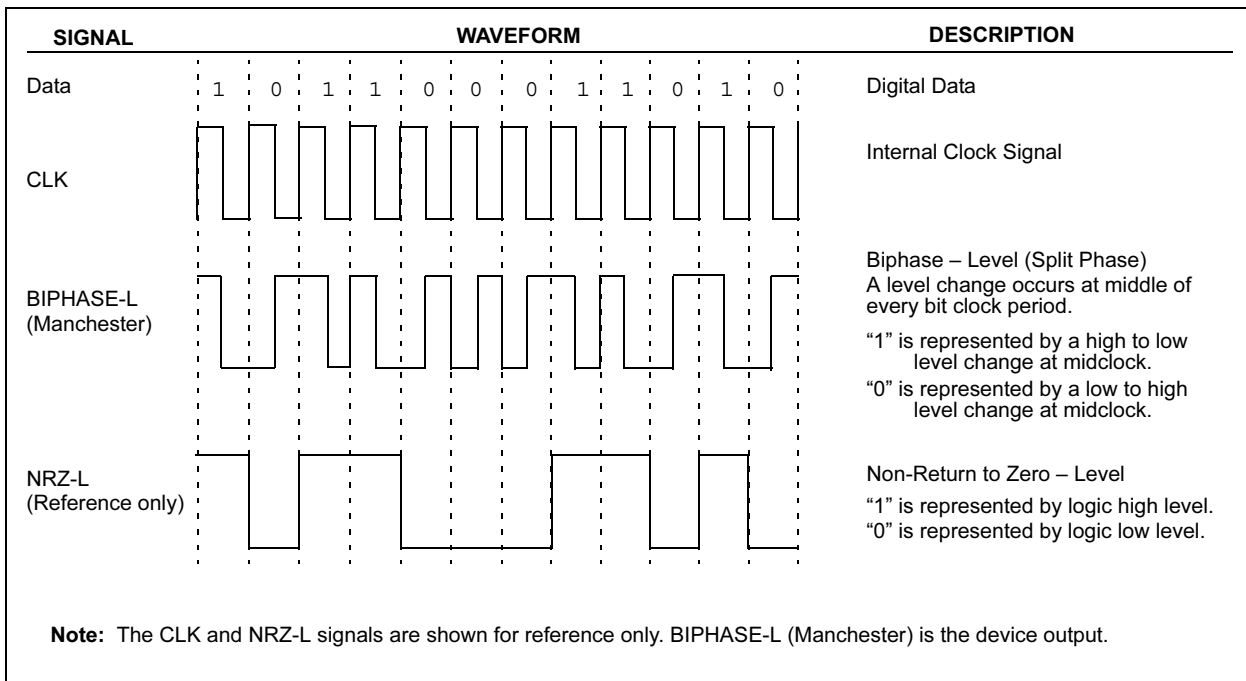
2.2.3 SLEEP TIMER

This circuit generates a SLEEP time (100 ms ± 50%) for the anti-collision feature. During this SLEEP time (TOFF), the modulation transistor remains in a turned-on condition (cloaked) which detunes the LC resonant circuit.

2.2.4 READ/WRITE LOGIC

This logic controls the reading and programming of the memory array.

FIGURE 2-2: CODE WAVEFORMS



3.0 RESONANT CIRCUIT

The MCRF355 requires external coils and capacitor in order to resonate at the carrier frequency of the reader. About one-fourth of the turns of the coil should be connected between antenna B and VSS; remaining turns should be connected between antenna A and B pads. The MCRF360 includes a 100 pF internal resonant capacitor. Therefore, the device needs only external coils for the resonant circuit. For example, the device needs 1.377 μ H of inductance for the carrier frequency = 13.56 MHz.

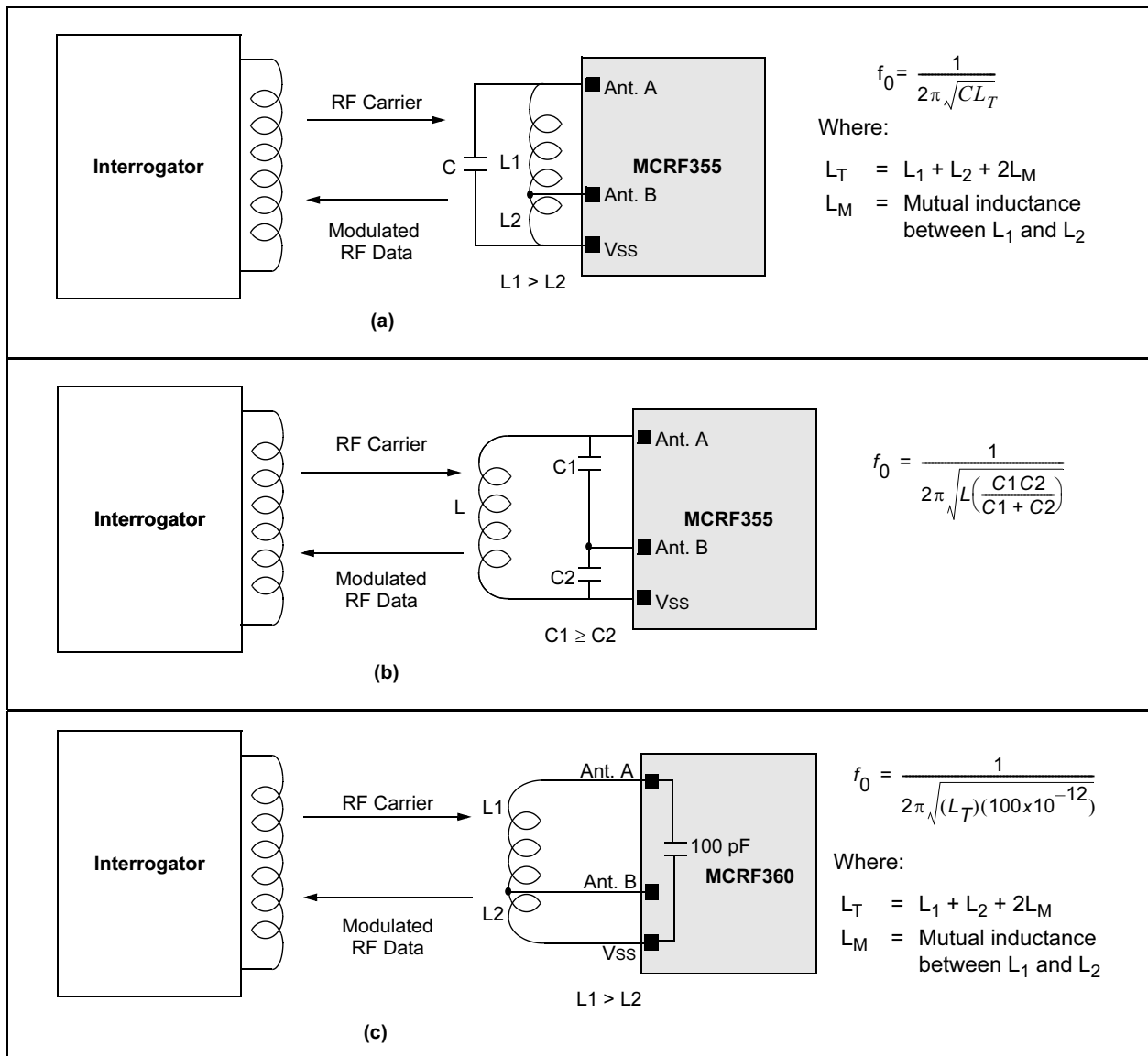
Figures 3-1 (a) and (b) show possible configurations of the external circuits for the MCRF355. In Figure 3-1 (a), two external antenna coils (L1 and L2) in series and a

capacitor that is connected across the two inductors form a parallel resonant circuit to pick up incoming RF signals and also to send modulated signals to the reader. The first coil (L1) is connected between antenna A and B pads. The second coil (L2) is connected between antenna B and VSS pads. The capacitor is connected between antenna A and VSS pads.

Figure 3-1(b) shows the resonant circuit formed by two capacitors (C1 and C2) and one inductor.

Figure 3-1(c) shows a configuration of an external circuit for the MCRF360. By utilizing the 100 pF internal resonant capacitor, only L1 and L2 are needed for the external circuit.

FIGURE 3-1: CONFIGURATION OF EXTERNAL RESONANT CIRCUITS



MCRF355/360

4.0 DEVICE PROGRAMMING

MCRF355/360 is a reprogrammable device in Contact mode. The device has 154 bits of reprogrammable memory. It can be programmed in the following procedure. (A programmer, part number PG103003, is also available from Microchip).

4.1 Programming Logic

Programming logic is enabled by applying power to the device and clocking the device via the CLK pad while loading the mode code via the VPRG pad (See Examples 4-1 through 4-4 for test definitions). Both the CLK and the VPRG pads have internal pull-down resistors.

4.2 Pin Configuration

Connect antenna A, B and VSS pads to ground.

4.3 Pin Timing

1. Apply VDDT voltage to VDD. Leave VSS, CLK and VPRG at ground.
2. Load mode code into the VPRG pad. The VPRG is sampled at CLK low to high edge.

3. The above mode function (3.2.2) will be executed when the last bit of code is entered.
4. Power the device off ($V_{DD} = V_{SS}$) to exit Programming mode.
5. An alternative method to exit the Programming mode is to bring CLK logic "High" before VPRG to VHH (high voltage).
6. Any Programming mode can be entered after exiting the current function.

4.4 Programming Mode

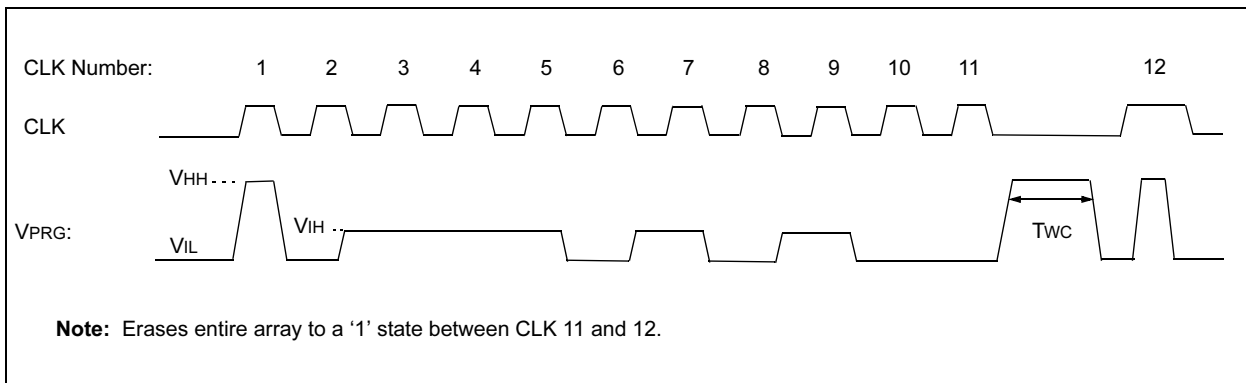
1. Erase EE Code: 0111010100
2. Program EE Code: 0111010010
3. Read EE Code: 0111010110

Note: '0' means logic "Low" (VIL) and '1' means logic "High" (VIH).

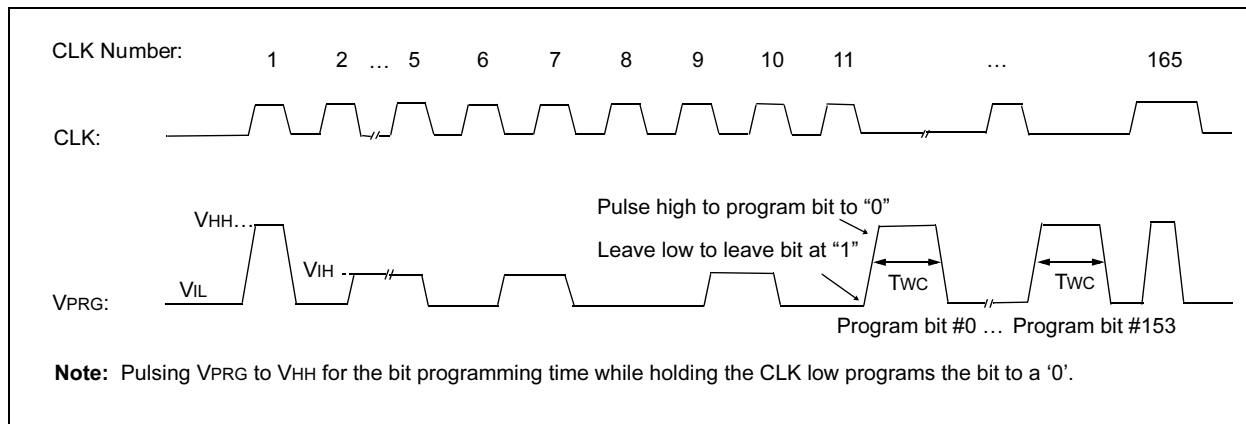
4.5 Signal Timing

Examples 4-1 through 4-4 show the timing sequence for programming and reading of the device.

EXAMPLE 4-1: PROGRAMMING MODE 1: ERASE EE

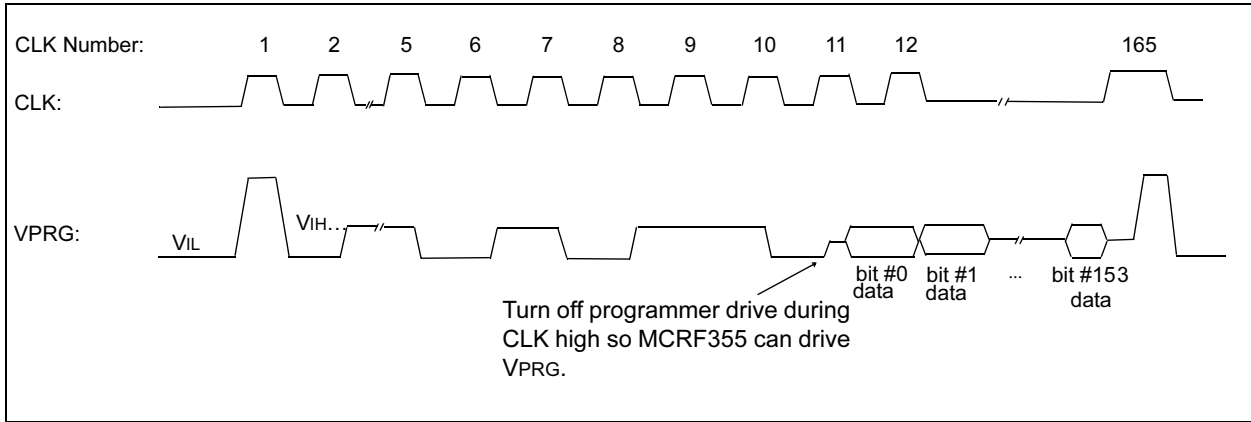


EXAMPLE 4-2: PROGRAMMING MODE 2: PROGRAM EE

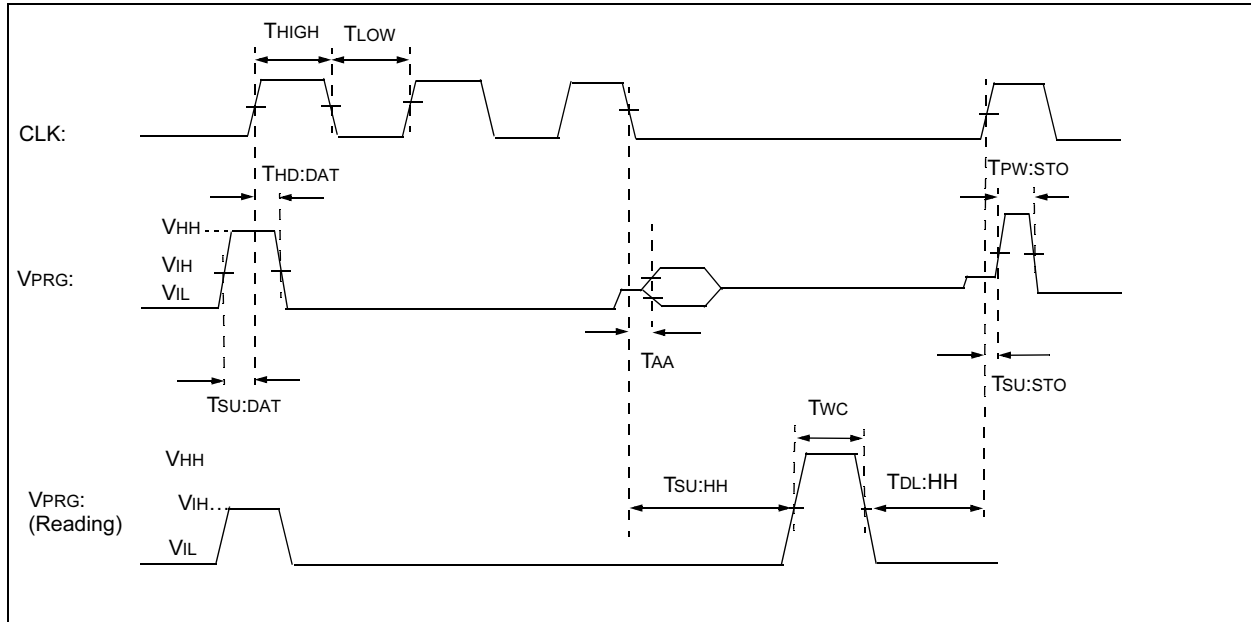


MCRF355/360

EXAMPLE 4-3: PROGRAMMING MODE 3: READ EE



EXAMPLE 4-4: TIMING DATA



MCRF355/360

5.0 FAILED DIE IDENTIFICATION

Every die on the wafer is electrically tested according to the data sheet specifications and visually inspected to detect any mechanical damage, such as mechanical cracks and scratches.

Any failed die in the test or visual inspection is identified by black colored ink. Therefore, any die covered with black ink should not be used.

The ink dot specification:

- Ink dot size: 254 μm in circular diameter
- Position: central third of die
- Color: black

6.0 WAFER DELIVERY DOCUMENTATION

The wafer is shipped with the following information:

- Microchip Technology Inc. MP Code
- Lot Number
- Total number of wafers in the container
- Total number of good dice in the container
- Average die per wafer (DPW)
- Scribe number of wafers with number of good dice

7.0 NOTICE ON DIE AND WAFER HANDLING

The device is very susceptible to Electro-Static Discharge (ESD), which can cause a critical damage to the device. Special attention is needed during the handling process.

Any ultraviolet (UV) light can erase the memory cell contents of an unpackaged device. Fluorescent lights and sunlight can also erase the memory cell, although it takes more time than UV lamps. Therefore, keep any unpackaged device out of UV light and also avoid direct exposure of strong fluorescent lights and shining sunlight.

Certain IC manufacturing, COB and tag assembly operations may use UV light. Operations such as back-grind de-tape, certain cleaning procedures, epoxy or glue cure should be done without exposing the die surface to UV light.

Using X-ray for die inspection will not harm the die, nor erase memory cell contents.

8.0 REFERENCES

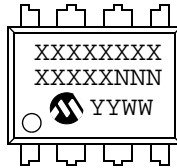
It is recommended that the reader reference the following documents.

1. "Antenna Circuit Design for RFID Applications", AN710, DS00710.
2. "RFID Tag and COB Development Guide with Microchip's RFID Devices", AN830, DS00830.
3. "MCRF355/360 Application Note: Mode of Operation and External Resonance Circuit", AN707, DS00707.
4. "Microchip Development Kit Sample Format for the MCRF355/360 Devices", TB031, DS91031.
5. "MCRF355/360 Reader Reference Design", DS21311.

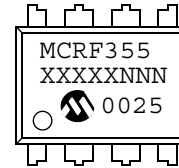
PACKAGING INFORMATION

8.1 Package Marking Information

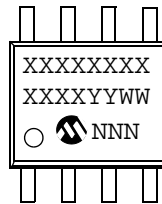
8-Lead PDIP (300 mil)



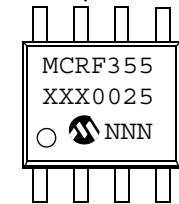
Example:



8-Lead SOIC (150 mil)



Example:

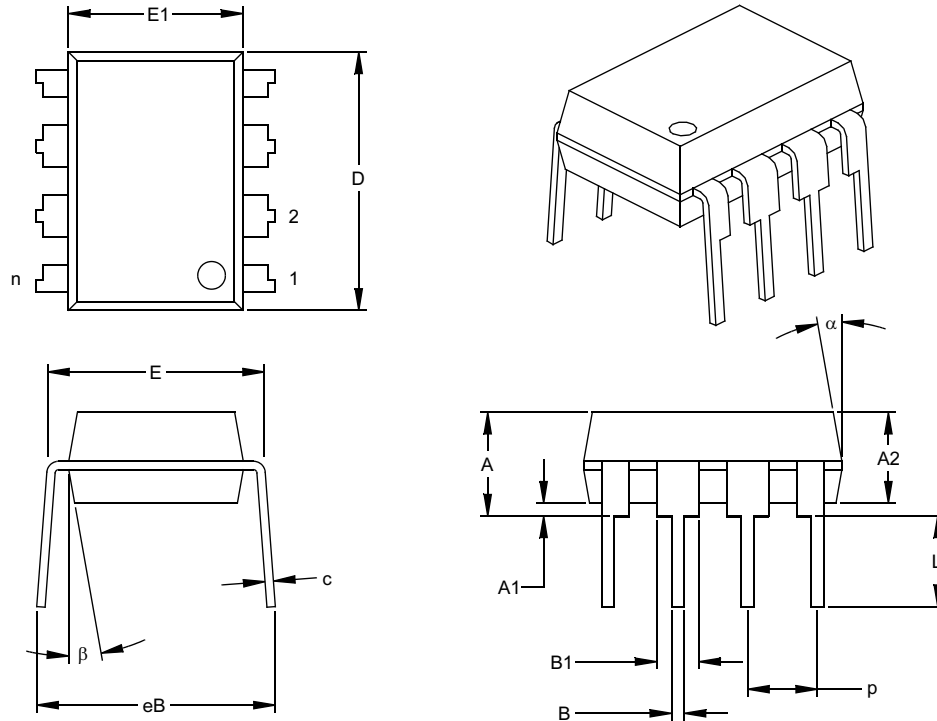


Legend:	XX...X	Customer specific information*
	Y	Year code (last digit of calendar year)
	YY	Year code (last 2 digits of calendar year)
	WW	Week code (week of January 1 is week '01')
	NNN	Alphanumeric traceability code
Note:	In the event the full Microchip part number cannot be marked on one line, it will be carried over to the next line thus limiting the number of available characters for customer specific information.	

* Standard device marking consists of Microchip part number, year code, week code, and traceability code.

MCRF355/360

8-Lead Plastic Dual In-line (P) – 300 mil (PDIP)



UNITS		INCHES*			MILLIMETERS		
DIMENSION LIMITS		MIN	NOM	MAX	MIN	NOM	MAX
Number of Pins	n		8			8	
Pitch	p		.100			2.54	
Top to Seating Plane	A	.140	.155	.170	3.56	3.94	4.32
Molded Package Thickness	A2	.115	.130	.145	2.92	3.30	3.68
Base to Seating Plane	A1	.015			0.38		
Shoulder to Shoulder Width	E	.300	.313	.325	7.62	7.94	8.26
Molded Package Width	E1	.240	.250	.260	6.10	6.35	6.60
Overall Length	D	.360	.373	.385	9.14	9.46	9.78
Tip to Seating Plane	L	.125	.130	.135	3.18	3.30	3.43
Lead Thickness	c	.008	.012	.015	0.20	0.29	0.38
Upper Lead Width	B1	.045	.058	.070	1.14	1.46	1.78
Lower Lead Width	B	.014	.018	.022	0.36	0.46	0.56
Overall Row Spacing	§ eB	.310	.370	.430	7.87	9.40	10.92
Mold Draft Angle Top	α	5	10	15	5	10	15
Mold Draft Angle Bottom	β	5	10	15	5	10	15

* Controlling Parameter

§ Significant Characteristic

Notes:

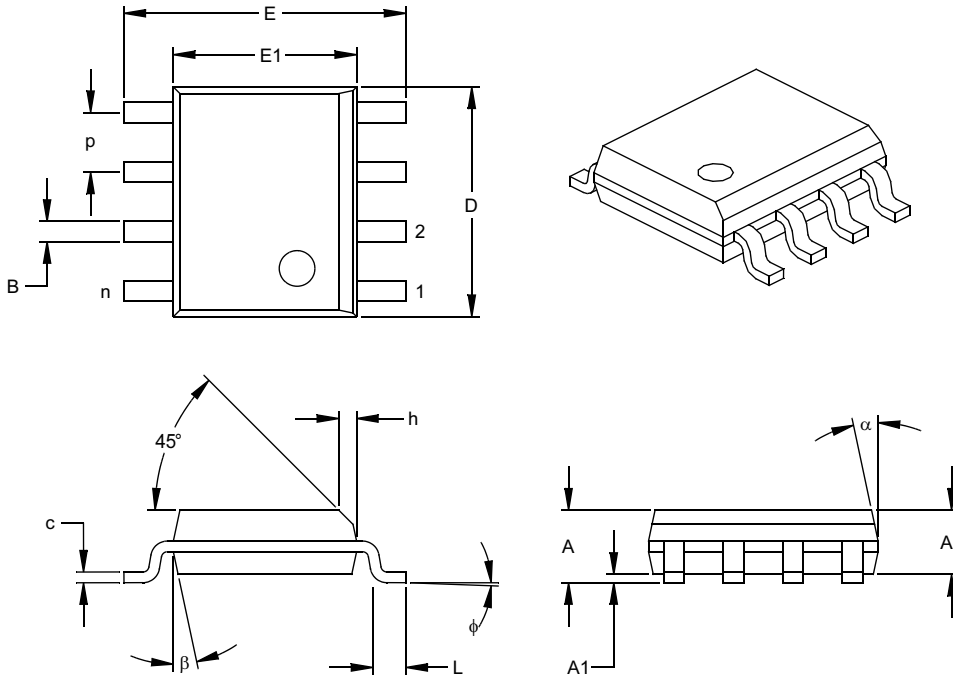
Dimensions D and E1 do not include mold flash or protrusions. Mold flash or protrusions shall not exceed .010" (0.254mm) per side.

JEDEC Equivalent: MS-001

Drawing No. C04-018

MCRF355/360

8-Lead Plastic Small Outline (SN) – Narrow, 150 mil (SOIC)



UNITS		INCHES*			MILLIMETERS		
DIMENSION LIMITS		MIN	NOM	MAX	MIN	NOM	MAX
Number of Pins	n		8			8	
Pitch	p		.050			1.27	
Overall Height	A	.053	.061	.069	1.35	1.55	1.75
Molded Package Thickness	A2	.052	.056	.061	1.32	1.42	1.55
Standoff §	A1	.004	.007	.010	.10	.18	.25
Overall Width	E	.228	.237	.244	5.79	6.02	6.20
Molded Package Width	E1	.146	.154	.157	3.71	3.91	3.99
Overall Length	D	.189	.193	.197	4.80	4.90	5.00
Chamfer Distance	h	.010	.015	.020	.25	.38	.51
Foot Length	L	.019	.025	.030	.48	.62	.76
Foot Angle	φ	0	4	8	0	4	8
Lead Thickness	c	.008	.009	.010	.20	.23	.25
Lead Width	B	.013	.017	.020	.33	.42	.51
Mold Draft Angle Top	α	0	12	15	0	12	15
Mold Draft Angle Bottom	β	0	12	15	0	12	15

* Controlling Parameter

§ Significant Characteristic

Notes:

Dimensions D and E1 do not include mold flash or protrusions. Mold flash or protrusions shall not exceed .010" (0.254mm) per side.

JEDEC Equivalent: MS-012

Drawing No. C04-057

ON-LINE SUPPORT

Microchip provides on-line support on the Microchip World Wide Web site.

The web site is used by Microchip as a means to make files and information easily available to customers. To view the site, the user must have access to the Internet and a web browser, such as Netscape® or Microsoft® Internet Explorer. Files are also available for FTP download from our FTP site.

Connecting to the Microchip Internet Web Site

The Microchip web site is available at the following URL:

www.microchip.com

The file transfer site is available by using an FTP service to connect to:

<ftp://ftp.microchip.com>

The web site and file transfer site provide a variety of services. Users may download files for the latest Development Tools, Data Sheets, Application Notes, User's Guides, Articles and Sample Programs. A variety of Microchip specific business information is also available, including listings of Microchip sales offices, distributors and factory representatives. Other data available for consideration is:

- Latest Microchip Press Releases
- Technical Support Section with Frequently Asked Questions
- Design Tips
- Device Errata
- Job Postings
- Microchip Consultant Program Member Listing
- Links to other useful web sites related to Microchip Products
- Conferences for products, Development Systems, technical information and more
- Listing of seminars and events

SYSTEMS INFORMATION AND UPGRADE HOT LINE

The Systems Information and Upgrade Line provides system users a listing of the latest versions of all of Microchip's development systems software products. Plus, this line provides information on how customers can receive the most current upgrade kits. The Hot Line Numbers are:

1-800-755-2345 for U.S. and most of Canada, and

1-480-792-7302 for the rest of the world.

092002

MCRF355/360

READER RESPONSE

It is our intention to provide you with the best documentation possible to ensure successful use of your Microchip product. If you wish to provide your comments on organization, clarity, subject matter, and ways in which our documentation can better serve you, please FAX your comments to the Technical Publications Manager at (480) 792-4150.

Please list the following information, and use this outline to provide us with your comments about this document.

To: Technical Publications Manager
RE: Reader Response
From: Name _____
Company _____
Address _____
City / State / ZIP / Country _____
Telephone: (_____) _____ - _____ FAX: (_____) _____ - _____

Application (optional):

Would you like a reply? ___Y ___N

Device: MCRF355/360 Literature Number: DS21287F

Questions:

1. What are the best features of this document?

2. How does this document meet your hardware and software development needs?

3. Do you find the organization of this document easy to follow? If not, why?

4. What additions to the document do you think would enhance the structure and subject?

5. What deletions from the document could be made without affecting the overall usefulness?

6. Is there any incorrect or misleading information (what and where)?

7. How would you improve this document?

MCRF355/360

PRODUCT IDENTIFICATION SYSTEM

To order or obtain information, e.g., on pricing or delivery, refer to the factory or the listed sales office.

<u>PART NO.</u>	X	XXX
Device	Temperature Range	Package
Device:		
MCRF355	=	13.56 MHz Anti-Collision device.
MCRF355/6C	=	MCRF355 Cross Technology World II COB module with dual 68 pF capacitors
MCRF355/7M	=	MCRF355 IST I0A2 COB module with dual 68 pF capacitors
MCRF355/7M:	=	MCRF355 COB module with dual 68 pF capacitors.
MCRF360	=	13.56 MHz Anti-Collision device with 100 pF on-chip resonance capacitor.
Temperature Range:	=	-20°C to +70°C
Package:		
W	=	Wafer (11 mil backgrind)
WB	=	Bumped wafer (8 mil backgrind)
WF	=	Sawed wafer on frame (8 mil backgrind)
WFB	=	Bumped, sawed wafer on frame (8 mil backgrind)
P	=	Plastic PDIP (300 mil Body) 8-lead
S	=	Dice in waffle pack (8 mil)
SB	=	Bumped die in waffle pack (8 mil)
SN	=	Plastic SOIC (150 mil Body) 8-lead

Examples:

- a) MCRF355/W: = 11-mil wafer.
- b) MCRF355/WF: = 8-mil wafer on frame.
- c) MCRF355/P: = PDIP package.

- a) MCRF360/WFB: = Bumped 8-mil wafer on frame
- b) MCRF360/SB: = Bumped 8-mil die.
- c) MCRF360/SN: = SOIC package.

Sales and Support

Data Sheets

Products supported by a preliminary Data Sheet may have an errata sheet describing minor operational differences and recommended workarounds. To determine if an errata sheet exists for a particular device, please contact one of the following:

1. Your local Microchip sales office
2. The Microchip Corporate Literature Center U.S. FAX: (480) 792-7277
3. The Microchip Worldwide Site (www.microchip.com)

Please specify which device, revision of silicon and Data Sheet (include Literature #) you are using.

New Customer Notification System

Register on our web site (www.microchip.com/cn) to receive the most current information on our products.

MCRF355/360

NOTES:

Note the following details of the code protection feature on Microchip devices:

- Microchip products meet the specification contained in their particular Microchip Data Sheet.
- Microchip believes that its family of products is one of the most secure families of its kind on the market today, when used in the intended manner and under normal conditions.
- There are dishonest and possibly illegal methods used to breach the code protection feature. All of these methods, to our knowledge, require using the Microchip products in a manner outside the operating specifications contained in Microchip's Data Sheets. Most likely, the person doing so is engaged in theft of intellectual property.
- Microchip is willing to work with the customer who is concerned about the integrity of their code.
- Neither Microchip nor any other semiconductor manufacturer can guarantee the security of their code. Code protection does not mean that we are guaranteeing the product as "unbreakable."

Code protection is constantly evolving. We at Microchip are committed to continuously improving the code protection features of our products.

Information contained in this publication regarding device applications and the like is intended through suggestion only and may be superseded by updates. It is your responsibility to ensure that your application meets with your specifications. No representation or warranty is given and no liability is assumed by Microchip Technology Incorporated with respect to the accuracy or use of such information, or infringement of patents or other intellectual property rights arising from such use or otherwise. Use of Microchip's products as critical components in life support systems is not authorized except with express written approval by Microchip. No licenses are conveyed, implicitly or otherwise, under any intellectual property rights.

Trademarks

The Microchip name and logo, the Microchip logo, KEELOQ, MPLAB, PIC, PICmicro, PICSTART and PRO MATE are registered trademarks of Microchip Technology Incorporated in the U.S.A. and other countries.


FilterLab, microID, MXDEV, MXLAB, PICMASTER, SEEVAL and The Embedded Control Solutions Company are registered trademarks of Microchip Technology Incorporated in the U.S.A.

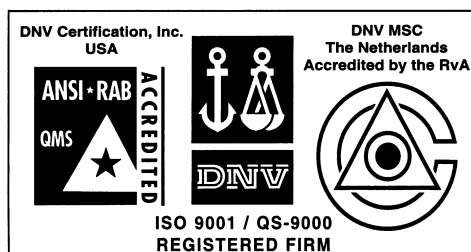
dsPIC, dsPICDEM.net, ECONOMONITOR, FanSense, FlexROM, fuzzyLAB, In-Circuit Serial Programming, ICSP, ICEPIC, microPort, Migratable Memory, MPASM, MPLIB, MPLINK, MPSIM, PICC, PICDEM, PICDEM.net, rPIC, Select Mode and Total Endurance are trademarks of Microchip Technology Incorporated in the U.S.A. and other countries.

Serialized Quick Turn Programming (SQTP) is a service mark of Microchip Technology Incorporated in the U.S.A.

All other trademarks mentioned herein are property of their respective companies.

© 2002, Microchip Technology Incorporated, Printed in the U.S.A., All Rights Reserved.

 Printed on recycled paper.



Microchip received QS-9000 quality system certification for its worldwide headquarters, design and wafer fabrication facilities in Chandler and Tempe, Arizona in July 1999 and Mountain View, California in March 2002. The Company's quality system processes and procedures are QS-9000 compliant for its PICmicro® 8-bit MCUs, KEELOQ® code hopping devices, Serial EEPROMs, microperipherals, non-volatile memory and analog products. In addition, Microchip's quality system for the design and manufacture of development systems is ISO 9001 certified.



MICROCHIP

WORLDWIDE SALES AND SERVICE

AMERICAS

Corporate Office

2355 West Chandler Blvd.
Chandler, AZ 85224-6199
Tel: 480-792-7200 Fax: 480-792-7277
Technical Support: 480-792-7627
Web Address: <http://www.microchip.com>

Rocky Mountain

2355 West Chandler Blvd.
Chandler, AZ 85224-6199
Tel: 480-792-7966 Fax: 480-792-4338

Atlanta

500 Sugar Mill Road, Suite 200B
Atlanta, GA 30350
Tel: 770-640-0034 Fax: 770-640-0307

Boston

2 Lan Drive, Suite 120
Westford, MA 01886
Tel: 978-692-3848 Fax: 978-692-3821

Chicago

333 Pierce Road, Suite 180
Itasca, IL 60143
Tel: 630-285-0071 Fax: 630-285-0075

Dallas

4570 Westgrove Drive, Suite 160
Addison, TX 75001
Tel: 972-818-7423 Fax: 972-818-2924

Detroit

Tri-Atria Office Building
32255 Northwestern Highway, Suite 190
Farmington Hills, MI 48334
Tel: 248-538-2250 Fax: 248-538-2260

Kokomo

2767 S. Albright Road
Kokomo, Indiana 46902
Tel: 765-864-8360 Fax: 765-864-8387

Los Angeles

18201 Von Karman, Suite 1090
Irvine, CA 92612
Tel: 949-263-1888 Fax: 949-263-1338

San Jose

Microchip Technology Inc.
2107 North First Street, Suite 590
San Jose, CA 95131
Tel: 408-436-7950 Fax: 408-436-7955

Toronto

6285 Northam Drive, Suite 108
Mississauga, Ontario L4V 1X5, Canada
Tel: 905-673-0699 Fax: 905-673-6509

ASIA/PACIFIC

Australia

Microchip Technology Australia Pty Ltd
Suite 22, 41 Rawson Street
Epping 2121, NSW
Australia
Tel: 61-2-9868-6733 Fax: 61-2-9868-6755

China - Beijing

Microchip Technology Consulting (Shanghai)
Co., Ltd., Beijing Liaison Office
Unit 915
Bei Hai Wan Tai Bldg.
No. 6 Chaoyangmen Beidajie
Beijing, 100027, No. China
Tel: 86-10-85282100 Fax: 86-10-85282104

China - Chengdu

Microchip Technology Consulting (Shanghai)
Co., Ltd., Chengdu Liaison Office
Rm. 2401, 24th Floor,
Ming Xing Financial Tower
No. 88 TIDU Street
Chengdu 610016, China
Tel: 86-28-86766200 Fax: 86-28-86766599

China - Fuzhou

Microchip Technology Consulting (Shanghai)
Co., Ltd., Fuzhou Liaison Office
Unit 28F, World Trade Plaza
No. 71 Wusi Road
Fuzhou 350001, China
Tel: 86-591-7503506 Fax: 86-591-7503521

China - Shanghai

Microchip Technology Consulting (Shanghai)
Co., Ltd.
Room 701, Bldg. B
Far East International Plaza
No. 317 Xian Xia Road
Shanghai, 200051
Tel: 86-21-6275-5700 Fax: 86-21-6275-5060

China - Shenzhen

Microchip Technology Consulting (Shanghai)
Co., Ltd., Shenzhen Liaison Office
Rm. 1315, 13/F, Shenzhen Kerry Centre,
Renminnan Lu
Shenzhen 518001, China
Tel: 86-755-82350361 Fax: 86-755-82366086

China - Hong Kong SAR

Microchip Technology Hongkong Ltd.
Unit 901-6, Tower 2, Metroplaza
223 Hing Fong Road
Kwai Fong, N.T., Hong Kong
Tel: 852-2401-1200 Fax: 852-2401-3431

India

Microchip Technology Inc.
India Liaison Office
Divyasree Chambers
1 Floor, Wing A (A3/A4)
No. 11, O'Shaughnessey Road
Bangalore, 560 025, India
Tel: 91-80-2290061 Fax: 91-80-2290062

Japan

Microchip Technology Japan K.K.
Benex S-1 6F
3-18-20, Shinyokohama
Kohoku-Ku, Yokohama-shi
Kanagawa, 222-0033, Japan
Tel: 81-45-471-6166 Fax: 81-45-471-6122

Korea

Microchip Technology Korea
168-1, Youngbo Bldg. 3 Floor
Samsung-Dong, Kangnam-Ku
Seoul, Korea 135-882
Tel: 82-2-554-7200 Fax: 82-2-558-5934

Singapore

Microchip Technology Singapore Pte Ltd.
200 Middle Road
#07-02 Prime Centre
Singapore, 188980
Tel: 65-6334-8870 Fax: 65-6334-8850

Taiwan

Microchip Technology (Barbados) Inc.,
Taiwan Branch
11F-3, No. 207
Tung Hua North Road
Taipei, 105, Taiwan
Tel: 886-2-2717-7175 Fax: 886-2-2545-0139

EUROPE

Austria

Microchip Technology Austria GmbH
Dorisolstrasse 2
A-4600 Wels
Austria
Tel: 43-7242-2244-399
Fax: 43-7242-2244-393

Denmark

Microchip Technology Nordic ApS
Regus Business Centre
Lautrup hoj 1-3
Ballerup DK-2750 Denmark
Tel: 45 4420 9895 Fax: 45 4420 9910

France

Microchip Technology SARL
Parc d'Activite du Moulin de Massy
43 Rue du Saule Trapu
Batiment A - 1er Etage
91300 Massy, France
Tel: 33-1-69-53-63-20 Fax: 33-1-69-30-90-79

Germany

Microchip Technology GmbH
Steinheilstrasse 10
D-85737 Ismaning, Germany
Tel: 49-89-627-144 0 Fax: 49-89-627-144-44

Italy

Microchip Technology SRL
Centro Direzionale Colleoni
Palazzo Taurus 1 V. Le Colleoni 1
20041 Agrate Brianza
Milan, Italy
Tel: 39-039-65791-1 Fax: 39-039-6899883

United Kingdom

Microchip Ltd.
505 Eskdale Road
Winnersh Triangle
Wokingham
Berkshire, England RG41 5TU
Tel: 44 118 921 5869 Fax: 44-118 921-5820

This datasheet has been download from:

www.datasheetcatalog.com

Datasheets for electronics components.