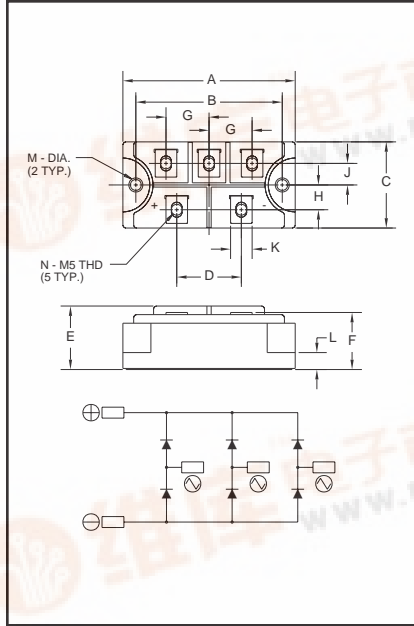


Powerex, Inc., 200 Hillis Street, Youngwood, Pennsylvania 15697-1800 (724) 925-7272

**Three-Phase  
Diode Bridge Modules  
60 Amperes/1200-1600 Volts**



Outline Drawing

Dimension	Inches	Millimeters
A	3.15	80
B	2.677±0.010	68±0.25
C	1.57	40
D	1.18	30
E	1.16	29.5
F	1.04	26.5
G	0.79	20
H	0.45	11.5
J	0.41	10.5
K	0.39	10
L	0.31	8
M	0.216 Dia.	Dia. 5.5
N	M5 Metric	M5



**ME501206, ME501606  
Three-Phase Diode Bridge Modules  
60 Amperes/1200-1600 Volts**

**Description:**

Powerex Three-Phase Diode Bridge Modules are designed for use in three-phase bridge application. The modules are isolated consisting of six rectifier diodes.

**Features:**

- Isolated Mounting
- Planar Chips

**Applications:**

- Inverters
- DC Power Supplies
- AC Motor Control Front End

**Ordering Information:**

Select the complete eight digit module part number you desire from the table below.

Example: ME501206 is a 1200 Volt, 60 Ampere Three-Phase Diode Bridge Module.

Type	Voltage Volts (x100)	Current Rating Amperes (x10)
ME50	12 16	06



Powerex, Inc., 200 Hillis Street, Youngwood, Pennsylvania 15697-1800 (724) 925-7272

**ME501206, ME501606**  
**Three-Phase Diode Bridge Modules**  
60 Amperes/1200-1600 Volts

### Absolute Maximum Ratings

Characteristics	Symbol	ME501206	ME501606	Units
Peak Reverse Blocking Voltage	$V_{RRM}$	1200	1600	Volts
Transient Peak Reverse Blocking Voltage (Non-Repetitive), $t < 5ms$	$V_{RSM}$	1350	1700	Volts
DC Reverse Blocking Voltage	$V_{R(DC)}$	960	1280	Volts
DC Output Current, $T_C = 103^{\circ}C$	$I_O$	60	60	Amperes
Peak One-Cycle Surge (Non-Repetitive) On-State Current (60Hz)	$I_{FSM}$	600	600	Amperes
Peak One-Cycle Surge (Non-Repetitive) On-State Current (50Hz)	$I_{FSM}$	545	545	Amperes
$I^2t$ (for Fusing), 8.3 milliseconds	$I^2t$	1500	1500	$A^2sec$
Storage Temperature	$T_{STG}$	-40 to 125	-40 to 125	$^{\circ}C$
Operating Temperature	$T_j$	-40 to 150	-40 to 150	$^{\circ}C$
Maximum Mounting Torque M6 Mounting Screw	—	26	26	in.-lb.
Maximum Mounting Torque M5 Terminal Screw	—	17	17	in.-lb.
Module Weight (Typical)	—	220	220	Grams
V Isolation	$V_{RMS}$	2500	2500	Volts



Powerex, Inc., 200 Hillis Street, Youngwood, Pennsylvania 15697-1800 (724) 925-7272

**ME501206, ME501606**  
**Three-Phase Diode Bridge Modules**  
60 Amperes/1200-1600 Volts

**Electrical and Thermal Characteristics,  $T_j = 25^\circ\text{C}$  unless otherwise specified**

Characteristics	Symbol	Test Conditions	ME501206/ME501606	Units
<b>Blocking State Maximums</b>				
Reverse Leakage Current, Peak	$I_{RRM}$	$T_j = 150^\circ\text{C}$ , $V_{RRM} = \text{Rated}$	10	mA
<b>Conducting State Maximums</b>				
Peak On-State Voltage	$V_{FM}$	$I_{FM} = 60\text{A}$	1.3	Volts
<b>Thermal Maximums</b>				
Thermal Resistance, Junction-to-Case	$R_{\theta(J-C)}$	Per Module	0.3	$^\circ\text{C/Watt}$
Thermal Resistance, Case-to-Sink (Lubricated)	$R_{\theta(C-S)}$	Per Module	0.06	$^\circ\text{C/Watt}$



Powerex, Inc., 200 Hillis Street, Youngwood, Pennsylvania 15697-1800 (724) 925-7272

**ME501206, ME501606**  
**Three-Phase Diode Bridge Modules**  
60 Amperes/1200-1600 Volts

