

MICRO ELECTRONICS

MG1288A/C

查询MG1288A/C应商

捷多邦, 专业PCB打样工厂, 24小时加急出货

LED DOT
MATRIX
DISPLAY

FEATURES :

- High efficiency GaAsP/GaP orange chip (MO1288A/C) and GaP/GaP green chip (MG1288A/C)
- Anode column, Cathode row (with suffix A); Cathode column, Anode row (with suffix C)
- High contrast
- Wide viewing angle
- 8 x 8 matrix array with row-column select
- Regged encapsulation (Filled reflector construction)
- End & side stackable

ABSOLUTE MAXIMUM RATINGS

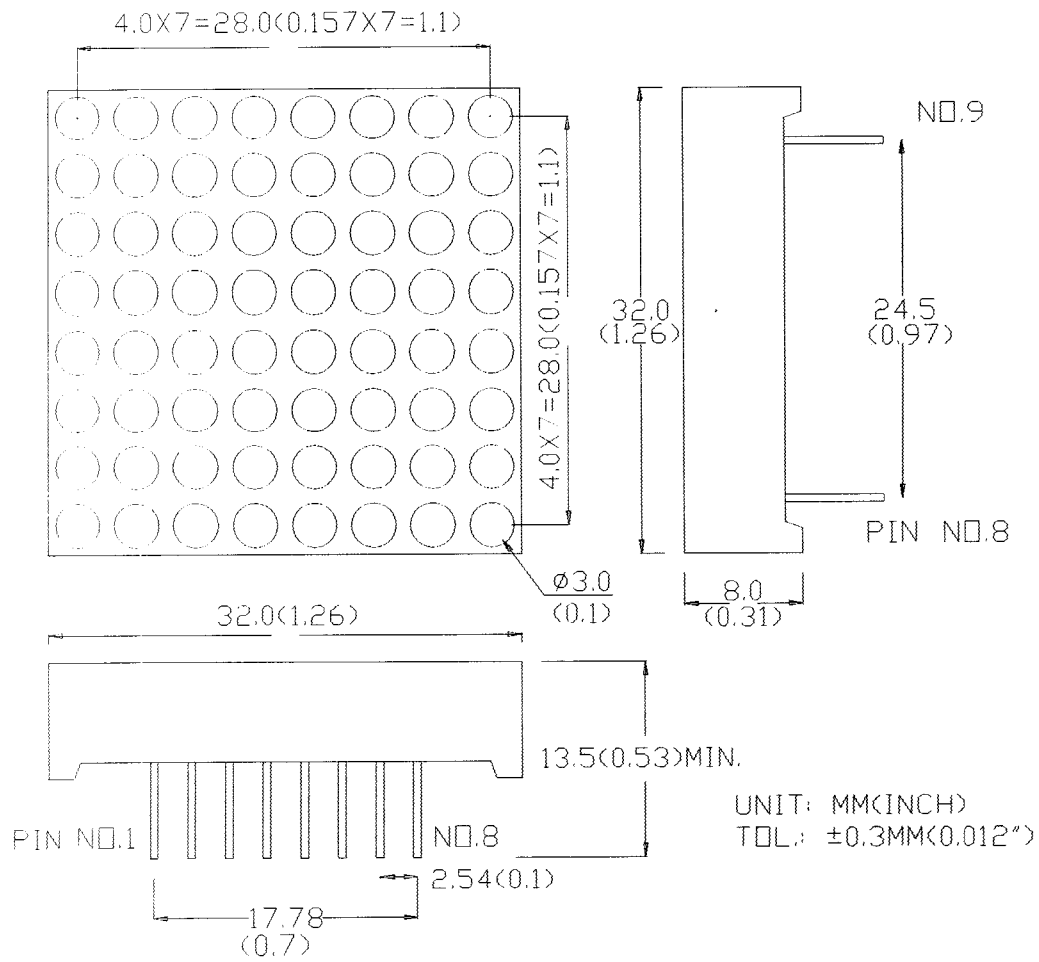
Power Dissipation / Dot	75mW
Peak Forward Current / Dot*	100mA
Continuous Forward Current / Dot	25mA
Reverse Voltage / Dot	5V
Operating Temperature Range	-25 to +80°C
Storage Temperature Range	-20 to +75°C
Lead Temperature (Soldering 5 sec., 1/16" from body)	260°C

* Note : Pulse Width = 1mS, Duty Ratio = 1/10.

ELECTRO-OPTICAL CHARACTERISTICS (Ta=25°C)

PARAMETER	SYMBOL	MO1288	MG1288	UNIT	CONDITIONS
Forward Voltage	MAX VF	3.0	3.0	V	IF=20mA
Luminous Intensity	MIN IV	1.5	1.8	mcd	IF=10mA
	TYP	2.2	3.0	mcd	
Dot to Dot Luminous Intensity Ratio	MAX	2:1	2:1		IF=10mA
Reverse Current Any Bar	MAX IR	100	100	μA	VR=5V
Peak Wavelength	TYP λp	630	565	nm	IF=20mA
Spectral Line Half Width	TYP Δλ	40	30	nm	IF=20mA

MECHANICAL OUTLINE:



CIRCUIT DIAGRAM:

