



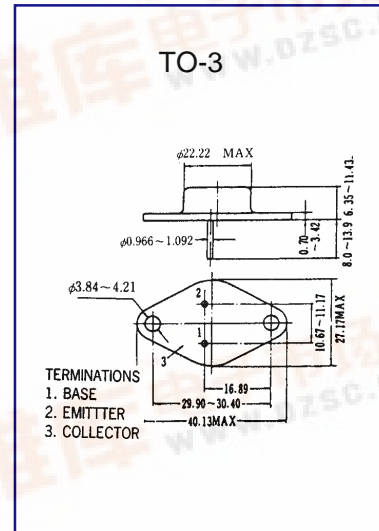
# MJ15002 PNP PLANAR SILICON TRANSISTOR

**AUDIO POWER AMPLIFIER  
DC TO DC CONVERTER**

- High Current Capability
- High Power Dissipation
- Complementary to MJ15001

## ABSOLUTE MAXIMUM RATING (T<sub>A</sub>=25°C)

Characteristic	Symbol	Rating	Unit
Collector-Base Voltage	VCBO	-140	V
Collector-Emitter Voltage	VCEO	-140	V
Emitter-Base voltage	VEBO	-5	V
Collector Current (DC)	IC	-15	A
Collector Dissipation	PC	200	W
Junction Temperature	T <sub>j</sub>	150	°C
Storage Temperature	T <sub>stg</sub>	-50~150	°C



## ELECTRICAL CHARACTERISTICS (T<sub>A</sub>=25°C)

Characteristic	Symbol	Test Condition	Min	Typ	Max	Unit
Collector Base Breakdown Voltage	BV <sub>CB0</sub>	I <sub>C</sub> =-10 mA I <sub>E</sub> =0	-140			V
Collector Emitter Breakdown Voltage	BV <sub>CE0</sub>	I <sub>C</sub> =-5 mA R <sub>BE</sub> =•	-140			V
Emitter Base Breakdown Voltage	BV <sub>EB0</sub>	I <sub>E</sub> =-5 mA I <sub>C</sub> =0	-5			V
Collector Cutoff Current	I <sub>CB0</sub>	V <sub>CB</sub> =-70V I <sub>E</sub> =0			-0.1	mA
Emitter Cutoff Current	I <sub>EB0</sub>	V <sub>EB</sub> =-4V I <sub>C</sub> =0			-0.1	mA
*DC Current Gain	h <sub>FE1</sub>	V <sub>CE</sub> =-5V I <sub>C</sub> =-1A			150	
DC Current Gain	h <sub>FE2</sub>	V <sub>CE</sub> =-5V I <sub>C</sub> =-4A	30			
Collector- Emitter Saturation Voltage	V <sub>CE(sat)</sub>	I <sub>C</sub> =-4A I <sub>B</sub> =-0.4A	25		-1.0	V

