

Surface Mount, Miniature Voltage Controlled Oscillator

Linear Tuning 1766 to 1826 MHz

NEW!

MOS-1826PV



CASE STYLE: CZ682

Features

- small package, .375X.375 inch
- wide modulation bandwidth, 10,000 kHz typ.

Applications

- DCS/GSM

Electrical Specifications

FREQ. (MHz)	POWER OUTPUT (dBm)	TUNING VOLTAGE		PHASE NOISE dBc/Hz SSB at offset frequencies: Typ.				PULLING pk-pk @ 12 dB (MHz)	PUSHING (MHz/V)	TUNING SENSI- TIVITY (MHz/V)	HARMONICS* (dBc)		3 dB MODULATION BANDWIDTH (kHz)	POWER SUPPLY		PRICE \$
		Min.	Max.	1 kHz	10 kHz	100 kHz	1 MHz				Typ.	Max.		Typ.	Current (mA) Max.	
Min. Max.	Typ.	Min.	Max.	1 kHz	10 kHz	100 kHz	1 MHz	Typ.	Typ.	Typ.	Typ.	Max.	Typ.	Voltage (V)	Current (mA) Max.	Qty. (5-49)
1766 1826	2	0.5	5	-75	-101	-122	-142	8	1.0	21-35	-28	-15	10,000	5	25	19.95

* specified to 4th harmonic

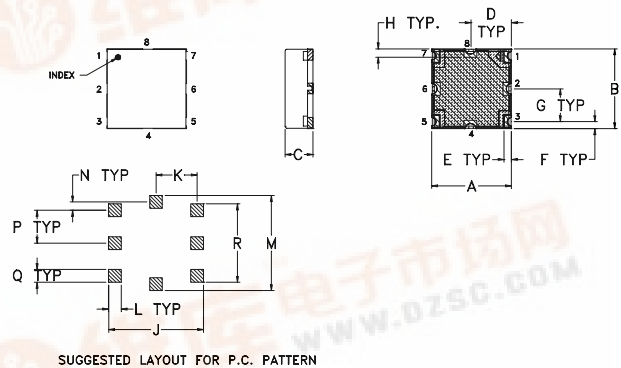
Maximum Ratings

Operating Temperature	-55°C to 85°C
Storage Temperature	-55°C to 100°C
Absolute Max. Supply Voltage (Vcc)	+6V
Absolute Max. Tuning Voltage (Vtune)	+6V
All specifications: 50 ohm system	

Pin Connections

PORT	
RF OUT	5
V-CC	3
V-TUNE	1
GND EXT.	all others

Outline Drawing



Outline Dimensions (inch/mm)

A	B	C	D	E	F	G	H	J
.375	.375	.131	.188	.035	.033	.154	.040	.446
9.52	9.52	3.33	4.78	0.89	0.84	3.91	1.02	11.33
K	L	M	N	P	Q	R		wt.
.193	.060	.446	.039	.154	.060	.368		grams
4.90	1.52	11.33	0.99	3.91	1.52	9.35		.60

REV. A
M78157
EDR-5265/2
MOS-1826PV
RVN/TD/CP
010829

