



SL2035

High Performance Broadband Downconverter Preliminary Information

DS5117 Issue 2.1 October 1999

Features

- Single Chip Broadband Solution
- Wide Dynamic Range RF Input
- Low Phase Noise Balanced Internal Local Oscillator
- High Frequency Range: 1 to 1.3 GHz
- ESD Protection 2kV min., MIL-STD-883B Method 3015 Cat.1 (Normal ESD handling procedures should be observed)

Applications

- Double Conversion Tuners
- Digital Terrestrial Tuners
- Data Transmit Systems
- Data Communications Systems

The SL2035 is a bipolar, broadband wide dynamic range mixer oscillator, optimised for applications as the downconverter in double conversion tuner systems. It also has application in any system where a wide dynamic range broadband frequency converter is required.

The SL2035 is a single chip containing all necessary active circuitry and simply requires an external tuneable resonant network for the local oscillator. The block diagram is shown in Figure 1 and pin connections are shown in Figure 2.

In normal application the signal from the high IF output is connected to the RFIN and $\overline{\text{RFIN}}$ inputs. The RF input preamplifier of the device is designed for low noise figure within the operating region and for high intermodulation distortion intercept so offering good signal to noise plus composite distortion spurious performance.

The preamplifier also provides gain to the mixer section and back isolation from the local oscillator section. The approximate model of the RF input is shown in Figure 3.

Ordering Information

- SL2035/IG/MP1S (Tubes)
- SL2035/IG/MP1T (Tape and Reel)

The output of the preamplifier is fed to the mixer section which is optimised for low radiation application. In this stage the RF signal is mixed with the local oscillator frequency, which is generated by an on-chip oscillator. The oscillator block uses an external tuneable network and is optimised for low phase noise. A typical application is shown in Figure 5. This block also contains a buffer-amplifier to interface with an external PLL to allow for frequency synthesis of the local oscillator.

The IF output can be loaded either differentially or single-ended. It is recommended that the differential load as in Figure 5 is applied as this gives best noise performance. If the output is loaded single-ended the noise figure will be degraded. The approximate model of the IF output is shown in Figure 4.

In application care should be taken to achieve symmetric balance to the IF outputs to maximise intermodulation performance.

Absolute Maximum Ratings

Supply voltage, V_{CC}	-0.3V to +7V
RF differential input voltage	2.5V
All I/O port DC offset	-0.3 to V_{CC} +0.3V
Storage temperature	-55°C to +150°C
Junction temperature	+150°C
Package thermal resistance	
Chip to ambient, θ_{JA}	20°C/W
Chip to case, θ_{JC}	80°C/W

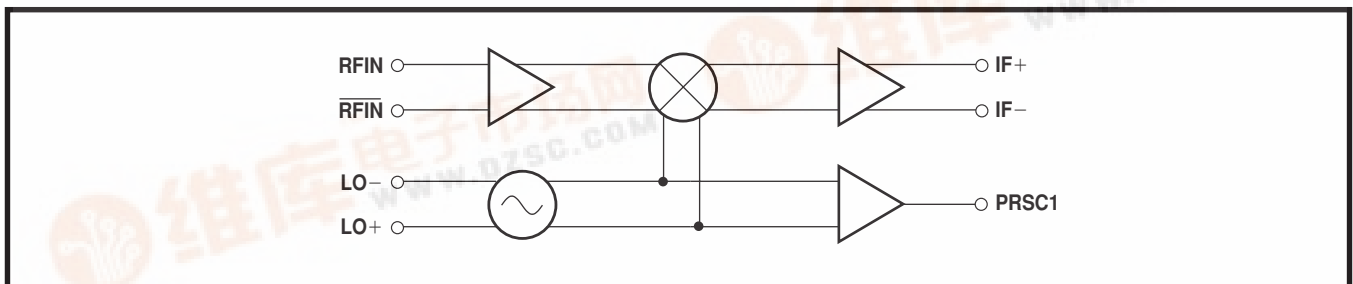


Figure 1 SL2035 block diagram



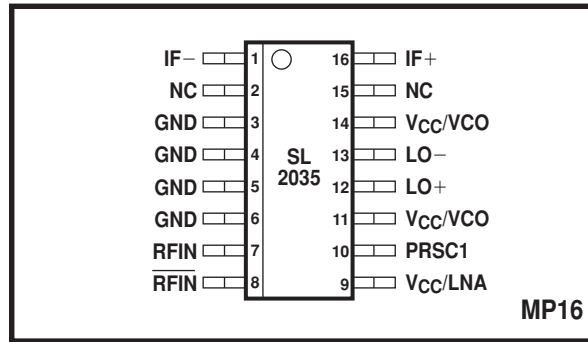


Figure 2 Pin connections - top view

Quick Reference Data

All data applies with circuit component values given in Table 1

Characteristic	Value	Units
RF input operating frequency range	1000-1300	MHz
Input noise Figure, SSB	12	dB
Conversion gain	11	dB
IIP3 input referred	118	dB μ V
P1dB input referred	106	dBc
LO phase noise at 10 kHz offset, f_{RF} 1 to 1.3GHz, application as in Figure 5	< -90	dBc/Hz

Electrical Characteristics

$T_{amb} = -40^{\circ}C$ to $+85^{\circ}C$, $V_{CC} = 5V \pm 5\%$, $V_{EE} = 0V$. These characteristics are guaranteed by either production test or design. They apply within the specified ambient temperature and supply voltage ranges unless otherwise stated.

Characteristic	Pin	Value			Units	Conditions
		Min.	Typ.	Max.		
Supply current	9,11,14			99	mA	IF output pins 1 and 16 will be nominally connected to V_{CC} through the differential balun load as in Figure 5
Input frequency range	7,8	1000		1300	MHz	
Composite peak input signal	7,8		97		dB μ V	Operating condition only
Input impedance	7,8					See Figure 3
Input return loss	7,8	-7		-21	dB	See Note 1
Input noise figure		9	10	13	dB	$T_{AMB} = 27^{\circ}C$, with input matching network as in Figure 5.
				12	dB	With differential load
Conversion gain		8	11	14		Differential voltage gain to 50Ω load on output of impedance transformer as in Figure 5
Gain variation within channel				0.5	dB	Channel bandwidth 8MHz within operating frequency range
Through gain				-20	dB	995-1305MHz
IIP3		116	118	125	dB μ V	See Note 1
LO operating range	12,13	0.9		1.4	GHz	Application as Figure 5. See Note 2
LO phase noise, 10kHz offset		-95	-90	-88	dBc/Hz	Application as Figure 5
LO phase noise floor				TBA	dBc/Hz	Application as Figure 5
IF output frequency range	1,16	30		60	MHz	Compatible with all standard IF frequencies, determined by application

NOTES

- Any two tones within RF operating range at 92dB μ V with output load as in Figure 5.
- Use low side LO injection.

cont...

Electrical Characteristics (continued)

Characteristic	Pin	Value			Units	Conditions
		Min.	Typ.	Max.		
LO and harmonic leakage to RF input						
Fundamental	7,8			72	dB μ V	To device input
2nd harmonic	7,8			92	dB μ V	To device input
LO Prescaler output swing	10	95			dB μ V	Into 50 Ω load
LO Prescaler output impedance	10	25		75	Ω	
IF output impedance	1,16				Ω	See Figure 4

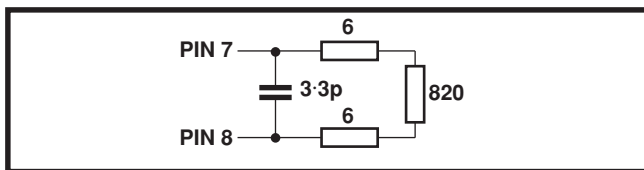


Figure 3 Approximate model of RF input

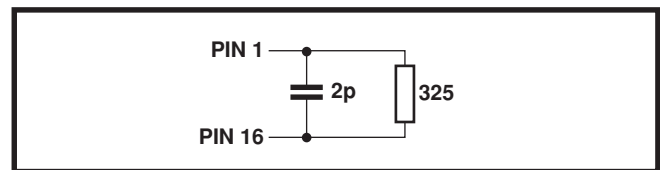


Figure 4 Approximate model of IF output

Application Notes

Figure 5 shows the SL2035 in a typical downconverter application.

The network connected to RF input pin 7 and pin 8 is to improve the matching between the device input and the source. The source would normally be from the 1.1MHz IF output of the upconverter (SL2030) via passive BPF and gain stage all designed for 50 Ω characteristic impedance.

The network connected to the IF output pin 1 and pin 16 is a narrow band tuned balun centred typically on 40MHz.

This matches the device output impedance of nominally 400 Ω (balanced) to 50 Ω (unbalanced).

The network connected to the LO pin 12 and pin 13 is a varactor diode loaded resonant microstrip line resonator. Fine adjustment of the tuning range can be achieved by physically moving C-19 (see Figure 5) closer to the LO pins. This extends the bottom end of the tuning range.

It is important to provide good decoupling on the 5V supplies and to use a layout which provides some isolation between the RF, IF and LO ports.

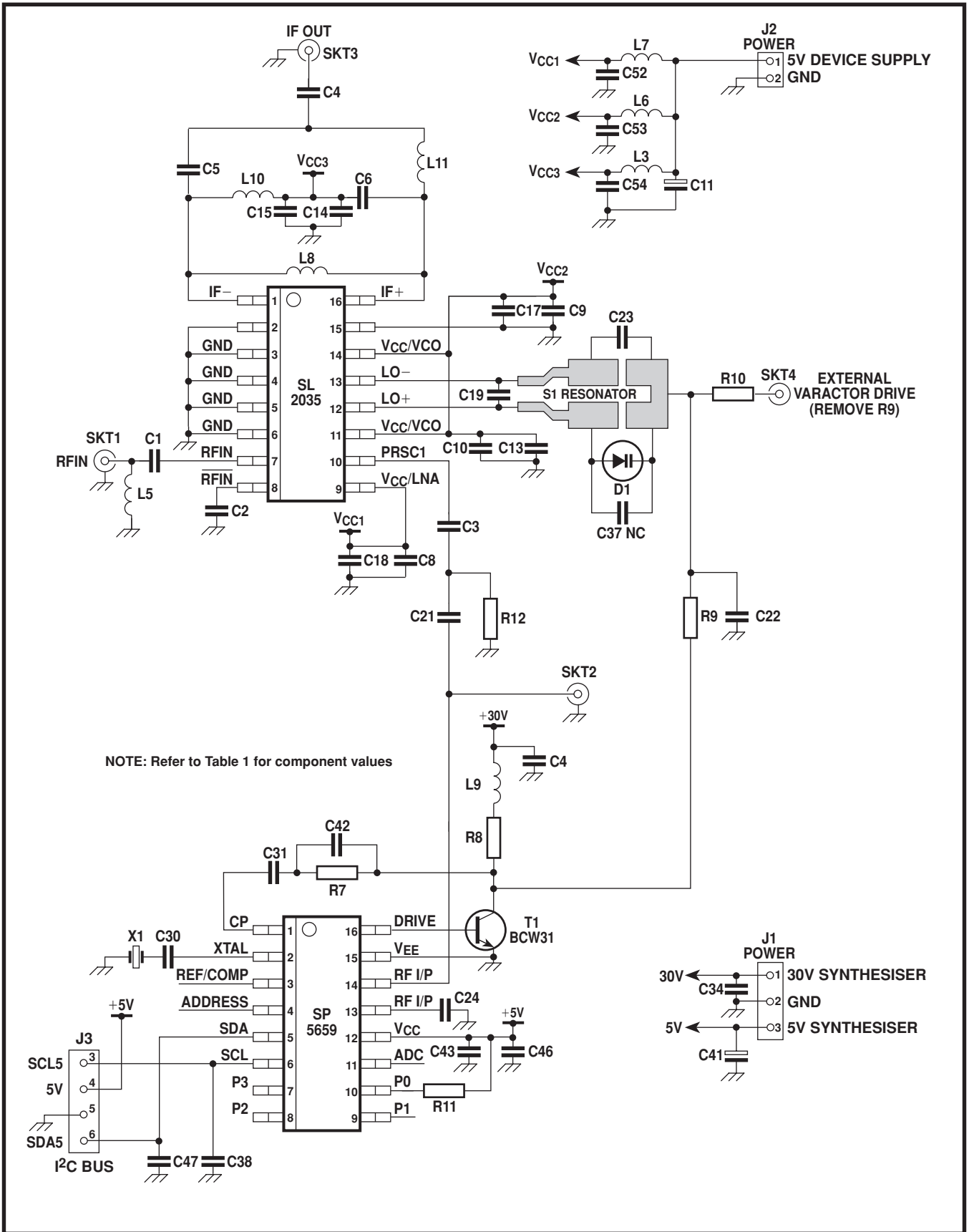


Figure 5 SL2035 upconverter application

Component	Value/type	Component	Value/type
C1	1nF	C41	4.7μF
C2	1nF	C42	3.3nF
C3	1 nF	C43	100nF
C4	10nF	C46	100pF
C5	56pF	C47	100pF
C8	100pF	D1	IT397
C9	100pF	L3	220nH
C10	100pF	L5	1.8nH
C11	10μF	L6	220nH
C13	100nF	L7	220nH
C14	100nF	L8	1μH
C15	100pF	L9	220nH
C17	100nF	L10	680nH
C18	100nF	L11	680nH
C19	2pF	R7	15kΩ
C21	1nF	R8	22kΩ
C22	33nF	R9	15kΩ
C23	47pF	R10	1kΩ
C24	1nF	R11	4.7kΩ
C30	18pF	R12	50Ω
C31	330nF	S1	Resonator (Figure 6)
C34	100nF	T1	BCW31
C36	56pF	X1	4MHz crystal
C37	NC		
C38	100nF		

Table 1 Component values for Figure 5

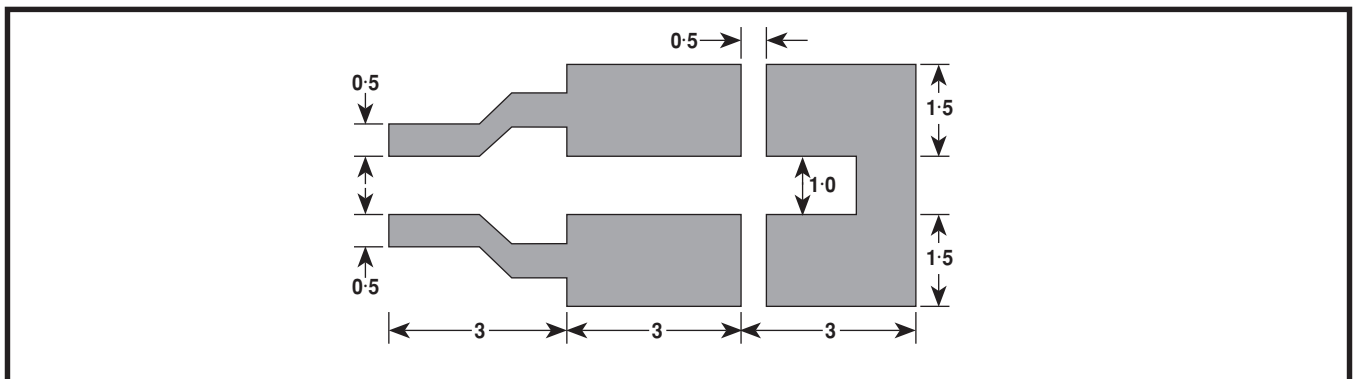


Figure 6 Microstrip resonator (dimensions are in mm)



<http://www.mitelsemi.com>

World Headquarters - Canada

Tel: +1 (613) 592 2122

Fax: +1 (613) 592 6909

North America

Tel: +1 (770) 486 0194

Fax: +1 (770) 631 8213

Asia/Pacific

Tel: +65 333 6193

Fax: +65 333 6192

**Europe, Middle East,
and Africa (EMEA)**

Tel: +44 (0) 1793 518528

Fax: +44 (0) 1793 518581

Information relating to products and services furnished herein by Mitel Corporation or its subsidiaries (collectively "Mitel") is believed to be reliable. However, Mitel assumes no liability for errors that may appear in this publication, or for liability otherwise arising from the application or use of any such information, product or service or for any infringement of patents or other intellectual property rights owned by third parties which may result from such application or use. Neither the supply of such information or purchase of product or service conveys any license, either express or implied, under patents or other intellectual property rights owned by Mitel or licensed from third parties by Mitel, whatsoever. Purchasers of products are also hereby notified that the use of product in certain ways or in combination with Mitel, or non-Mitel furnished goods or services may infringe patents or other intellectual property rights owned by Mitel.

This publication is issued to provide information only and (unless agreed by Mitel in writing) may not be used, applied or reproduced for any purpose nor form part of any order or contract nor to be regarded as a representation relating to the products or services concerned. The products, their specifications, services and other information appearing in this publication are subject to change by Mitel without notice. No warranty or guarantee express or implied is made regarding the capability, performance or suitability of any product or service. Information concerning possible methods of use is provided as a guide only and does not constitute any guarantee that such methods of use will be satisfactory in a specific piece of equipment. It is the user's responsibility to fully determine the performance and suitability of any equipment using such information and to ensure that any publication or data used is up to date and has not been superseded. Manufacturing does not necessarily include testing of all functions or parameters. These products are not suitable for use in any medical products whose failure to perform may result in significant injury or death to the user. All products and materials are sold and services provided subject to Mitel's conditions of sale which are available on request.

M Mitel (design) and ST-BUS are registered trademarks of MITEL Corporation

Mitel Semiconductor is an ISO 9001 Registered Company

Copyright 1999 MITEL Corporation

All Rights Reserved

Printed in CANADA

TECHNICAL DOCUMENTATION - NOT FOR RESALE