

Power Products Division

Advance Information

**3-HIGH SIDE &
 3-LOW SIDE DRIVER**

The MPIC2131 is a high voltage, high speed, power MOSFET and IGBT driver with three independent high side and low side referenced output channels for 3-Phase applications. Proprietary HVIC technology enables ruggedized monolithic construction. Logic inputs are compatible with 5 V CMOS or LSTTL outputs. A ground referenced operational amplifier provides an analog feedback of bridge current via an external current sense resistor. A current trip function which terminates all six outputs is also derived from an external current sense resistor. An extra shutdown input is provided for customizing the shutdown function. An open drain FAULT signal is provided to indicate that any of shutdown conditions has occurred. The output drivers feature a high pulse current buffer stage designed for minimum driver cross-conduction. Propagation delays are matched to simplify use in high frequency applications.

The floating channels can be used to drive N-channel power MOSFET or IGBT's in the high side configuration which operate from 10 to 600 volts.

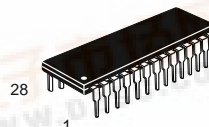
- Floating Channel Designed for Bootstrap Operation
- Fully Operational to +600 V
- Tolerant to Negative Transient Voltage
- dV/dt Immune
- Gate Drive Supply Range from 10 to 20 V
- Undervoltage Lockout for All Channels
- Over-current Shut Down Turns Off All Six Drivers
- Independent 3 High Side & 3 Low Side Drivers
- Matched Propagation Delay for All Channels
- Outputs Out of Phase with Inputs

PRODUCT SUMMARY

V_{OFFSET}	600 V MAX
I_{O+/-}	200 mA/420 mA
V_{OUT}	10 – 20 V
t_{on/off} (typical)	1.4 & 0.7 μs
Delay Matching	700 ns

MPIC2131

**3 HIGH SIDE &
 3 LOW SIDE
 DRIVER**



P SUFFIX
 PLASTIC PACKAGE
 CASE 710-02

PIN CONNECTIONS

1	VCC	V _{B1}	28
2	HIN1	HO1	27
3	HIN2	V _{S1}	26
4	HIN3		25
5	LIN1	V _{B2}	24
6	LIN2	HO2	23
7	LIN3	V _{S2}	22
8	FAULT		21
9	ITRIP	V _{B3}	20
10	FLT+CLR	HO3	19
11	SD	V _{S3}	18
12	VSS		17
13	COM	LO1	16
14	LO3	LO2	15

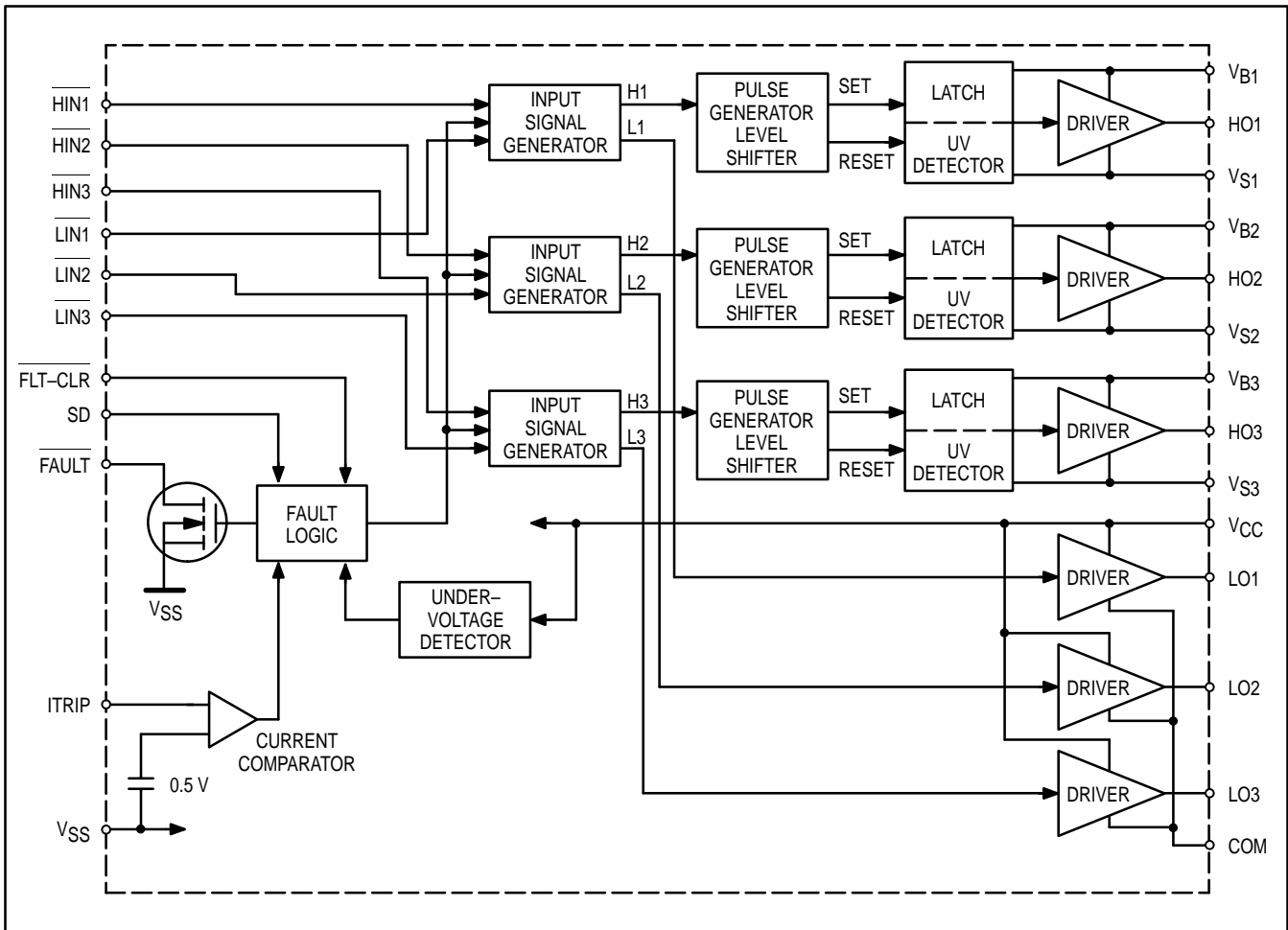
(TOP VIEW)

ORDERING INFORMATION

Device	Package
MPIC2131P	PDIP

MPIC2131

SIMPLIFIED BLOCK DIAGRAM



ABSOLUTE MAXIMUM RATINGS

Absolute Maximum Ratings indicate sustained limits beyond which damage to the device may occur. All voltage parameters are absolute voltages referenced to COM. The Thermal Resistance and Power Dissipation ratings are measured under board mounted and still air conditions.

Rating	Symbol	Min	Max	Unit
High Side Floating Absolute Voltage	$V_{B1,2,3}$	-0.3	625	V_{DC}
High Side Floating Supply Offset Voltage	$V_{S1,2,3}$	$V_{B1,2,3}-25$	$V_{B1,2,3}+0.3$	
High Side Floating Output Voltage	$V_{HO1,2,3}$	$V_{S1,2,3}-0.3$	$V_{B1,2,3}+0.3$	
Low Side Output Voltage	$V_{LO1,2,3}$	-0.3	$V_{CC}+0.3$	
Fixed Supply Voltage	V_{CC}	-0.3	25	
Fixed Supply Offset Voltage	V_{SS}	$V_{CC}-25$	$V_{CC}+0.3$	
Logic Input Voltage (HIN-, LIN-, FLT-, CLR-, SD & ITRIP)	V_{IN}	$V_{SS}-0.3$	$V_{CC}+0.3$	
Fault Output Voltage	FAULT	$V_{SS}-0.3$	$V_{CC}+0.3$	
Allowable Offset Supply Voltage Transient	dV_S/dt	-	50	V/ns
*Package Power Dissipation @ $T_C \leq +25^\circ C$ (28 Lead DIP)	P_D	-	1.5	Watt
Operating and Storage Temperature	T_j, T_{stg}	-55	150	$^\circ C$
Thermal Resistance, Junction to Ambient (8 Lead DIP)	$R_{\theta JA}$	-	83	$^\circ C/W$
Lead Temperature for Soldering Purposes, 10 seconds	T_L	-	260	$^\circ C$

RECOMMENDED OPERATING CONDITIONS

The Input/Output logic timing Diagram is shown in Figure 1. For proper operation the device should be used within the recommended conditions. The V_S offset rating is tested with all supplies biased at 15 V differential.

High Side Floating Supply Absolute Voltage	$V_{B1,2,3}$	$V_{S1,2,3+10}$	$V_{S1,2,3+20}$	V
High Side Floating Supply Offset Voltage	$V_{S1,2,3}$	Note 1	V_{SO+600}	V
High Side Floating Output Voltage	$V_{HO1,2,3}$	$V_{S1,2,3}$	$V_{B1,2,3}$	V
Fixed Supply Voltage	V_{CC}	10	20	V
Low Side Output Voltage	$V_{LO1,2,3}$	0	V_{CC}	V
Low Side Driver Return	V_{SS}	-5	5	V
Logic Input Voltage (HIN-, LIN-, FLT-CLR, SD & ITRIP)	V_{IN}	V_{SS}	5	V
Fault Output Voltage	FAULT-	V_{SS}	V_{CC}	V
Ambient Temperature	T_A	-40	125	°C

Note 1: Logic operational for V_S of -5 V to +600 V. Logic state held for V_S of -5 V to $-V_{BS}$.

ELECTRICAL CHARACTERISTICS ($T_A = 25^\circ\text{C}$ unless otherwise specified)

Characteristic	Symbol	Min	Typ	Max	Unit
----------------	--------	-----	-----	-----	------

STATIC ELECTRICAL CHARACTERISTICS

V_{BIAS} (V_{CC} , $V_{BS1,2,3}$) = 15 V and $V_{SS} = \text{COM}$ unless otherwise specified. The V_{IN} , V_{TH} and I_{IN} parameters are referenced to V_{SS} and are applicable to all six channels (HS1,2,3 & LS1,2,3). The V_O and I_O parameters are referenced to COM and $V_{SO1,2,3}$ and are applicable to the respective output leads: HO1,2,3 or LO1,2,3.

Logic "0" Input Voltage (OUT = LO)	V_{IH}	2.2	-	-	V
Logic "1" Input Voltage (OUT = HI)	V_{IL}	-	-	0.8	V
Logic "0" Fault Clear Input Voltage	$V_{FCLR,IH}$	2.2	-	-	V
Logic "1" Fault Clear Input Voltage	$V_{FCLR,IL}$	-	-	0.8	V
SD Input Positive Going Threshold	$V_{SD,TH+}$	-	1.8	-	V
SD Input Negative Going Threshold	$V_{SD,TH-}$	-	1.5	-	V
ITRIP Input Positive Going Threshold	$V_{IT,TH+}$	-	485	-	mV
ITRIP Input Negative Going Threshold	$V_{IT,TH-}$	-	400	-	mV
High Level Output Voltage, $V_{BIAS}-V_O$ @ $V_{IN} = 0\text{ V}$, $I_O = 0\text{ A}$	V_{OH}	-	-	100	mV
Low Level Output Voltage, V_O @ $V_{IN} = 5\text{ V}$, $I_O = 0\text{ A}$	V_{OL}	-	-	100	mV
Offset Supply Leakage Current @ $V_{B1,2,3} = V_{S1,2,3} = 600\text{ V}$	I_{LK}	-	-	50	μA
Quiescent V_{BS} Supply Current @ $V_{IN} = 0\text{ V}$ or 5 V	I_{QBS}	-	30	-	μA
Quiescent V_{CC} Supply Current @ $V_{IN} = 0\text{ V}$ or 5 V	I_{QCC}	-	3.0	-	mA
Logic "1" Input Bias Current (OUT = HI) @ $V_{IN} = 0\text{ V}$	I_{IN+}	-	190	-	μA
Logic "0" Input Bias Current (OUT = LO) @ $V_{IN} = 5\text{ V}$	I_{IN-}	-	100	-	μA
"High" ITRIP Bias Current @ ITRIP = 5 V	I_{TRIP+}	-	60	-	μA
"Low" ITRIP Bias Current @ ITRIP = 0 V	I_{TRIP-}	-	-	50	nA
Logic "1" Fault Clear Bias Current @ FLT-CLR = 0 V	I_{FCLR+}	-	190	-	μA
Logic "0" Fault Clear Bias Current @ FLT-CLR = 5 V	I_{FCLR-}	-	100	-	μA
Logic "1" Shut Down Bias Current @ SD = 5 V	I_{SD+}	-	60	-	μA
Logic "0" Shut Down Bias Current @ SD = 5 V	I_{SD-}	-	-	150	nA
V_{BS} Supply Undervoltage Positive Going Threshold	V_{BSUV+}	-	8.6	-	V
V_{BS} Supply Undervoltage Negative Going Threshold	V_{BSUV-}	-	8.2	-	V
V_{CC} Supply Undervoltage Positive Going Threshold	V_{CCUV+}	-	9.0	-	V
V_{CC} Supply Undervoltage Negative Going Threshold	V_{CCUV-}	-	8.7	-	V
FAULT - Low On Resistance	$R_{on,FLT}$	-	55	-	Ω
Output High Short Circuit Pulsed Current @ $V_{out} = 0\text{ V}$, $V_{in} = 0\text{ V}$, $PW \leq 10\ \mu\text{s}$	I_{O+}	200	250	-	mA
Output Low Short Circuit Pulsed Current @ $V_{out} = 15\text{ V}$, $V_{in} = 5\text{ V}$, $PW \leq 10\ \mu\text{s}$	I_{O-}	420	500	-	mA

MPIC2131

ELECTRICAL CHARACTERISTICS (T_A = 25°C unless otherwise specified)

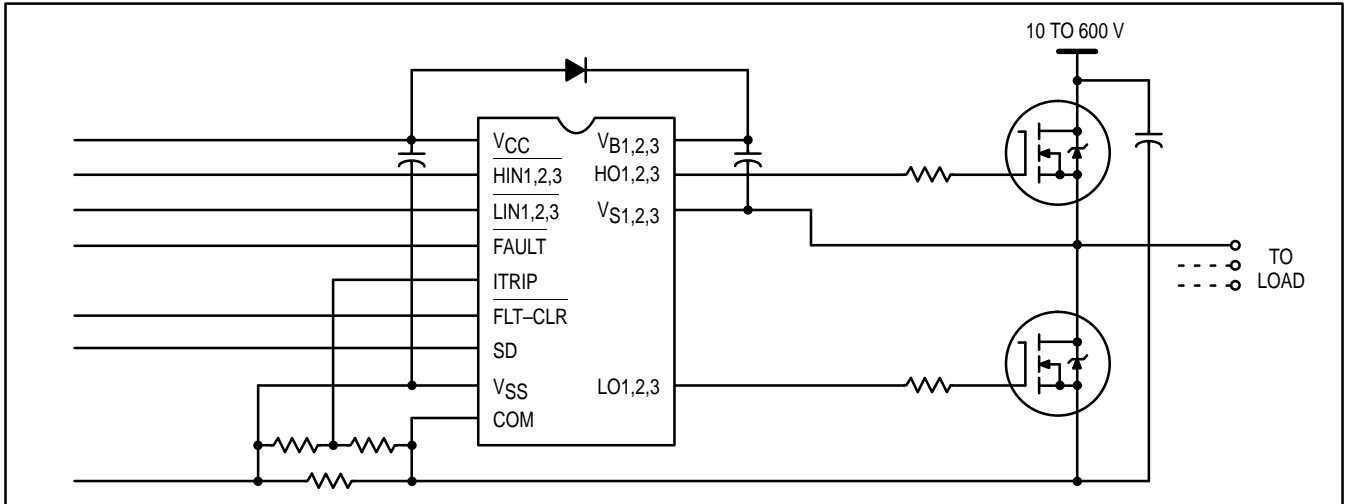
Characteristic	Symbol	Min	Typ	Max	Unit
----------------	--------	-----	-----	-----	------

DYNAMIC ELECTRICAL CHARACTERISTICS

V_{BIAS} (V_{CC}, V_{BS1,2,3}) = 15 V, V_{SO1,2,3} = V_{SS} and C_L = 1000 pF unless otherwise specified. T_A = 25°C.

Turn-On Propagation Delay @ V _{IN} = 0 & 5 V, V _{S1,2,3} = 0 V to 600 V	t _{on}	–	1.4	–	μs
Turn-Off Propagation Delay @ V _{IN} = 0 & 5 V, V _{S1,2,3} = 0 V to 600 V	t _{off}	–	0.7	–	μs
Turn-On Rise Time @ V _{IN} = 0 & 5 V, V _{S1,2,3} = 0 V to 600 V	t _r	–	80	–	ns
Turn-On Fall Time @ V _{IN} = 0 & 5 V, V _{S1,2,3} = 0 V to 600 V	t _f	–	40	–	ns
ITRIP to Output Shutdown Propagation Delay @ V _{IN} , V _{ITRIP} = 0 & 5 V	t _{itrip}	–	550	–	ns
ITRIP Blanking Time @ ITRIP = 1 V	t _{bl}	–	400	–	ns
ITRIP to FAULT– Propagation Delay @ V _{IN} , V _{ITRIP} = 0 & 5 V	t _{flt}	–	450	–	ns
Input Filter Time (all six inputs) @ V _{IN} = 0 & 5 V	t _{flt,in}	–	310	–	ns
FLT–CLR to FAULT Clear Time @ V _{IN} , V _{IT} , V _{FC} = 0 & 5 V	t _{fltclr}	–	450	–	ns
SD to OUTPUT Shutdown Propagation Delay @ V _{IN} , V _{SD} = 0 & 5 V	t _{sd}	–	550	–	ns
Deadtime, LS Turn-Off to HS Turn-On & HS Turn-Off to LS Turn-On @ V _{IN} = 0 & 5 V	DT	–	700	–	ns

TYPICAL CONNECTION



LEAD DEFINITIONS

Symbol	Lead Description
HIN1,2,3	Logic Inputs for High Side Gate Driver Outputs (HO1,2,3), Out of Phase
LIN1,2,3	Logic Inputs for Low Side Gate Driver Outputs (LO1,2,3), Out of Phase
FLT–CLR	Logic Inputs for Fault Clear
SD	Logic Input for Shut Down
FAULT	Indicates Over–current, Shut Down or Low Side Undervoltage Condition, Negative Logic
ITRIP	Input for Over–current Shut Down
V _{SS}	Logic Ground
V _{B1,2,3}	High Side Floating Supplies
HO1,2,3	High Side Gate Drive Outputs
V _{S1,2,3}	High Side Floating Supply Returns
V _{CC}	Logic and Low Side Fixed Supply
LO1,2,3	Low Side Gate Drive Outputs
COM	Low Side Return

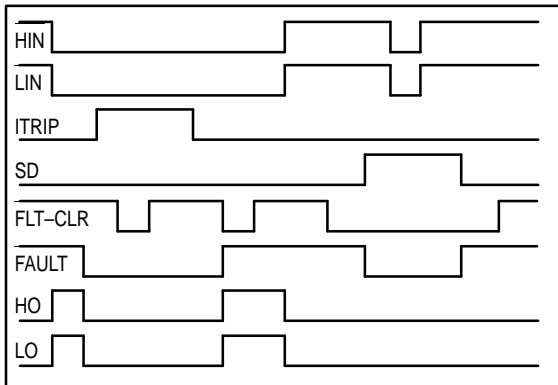


Figure 1. Input / Output Timing Diagram

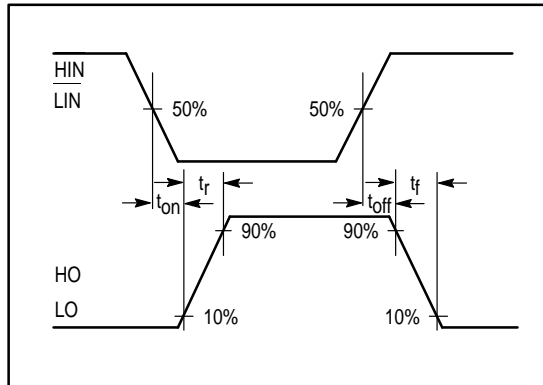


Figure 2. Switching Time Waveform Definitions

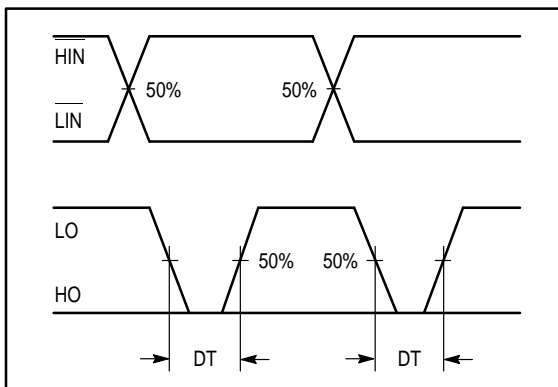


Figure 3. Deadtime Waveform Definitions

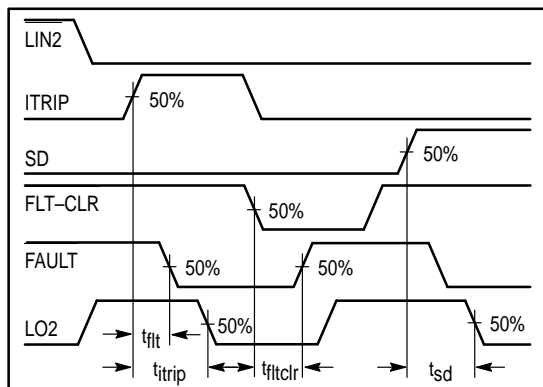
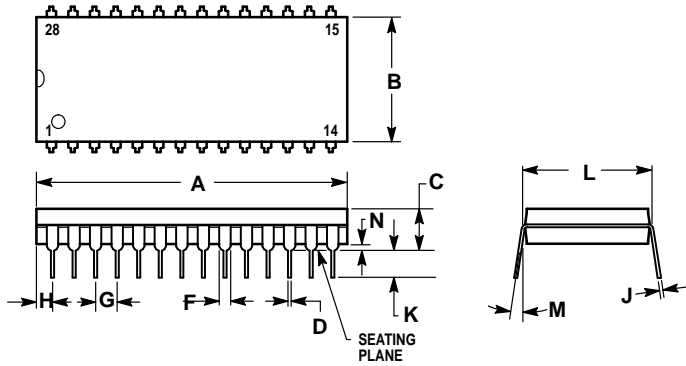


Figure 4. Shutdown Waveform Definitions

MPIC2131

PACKAGE DIMENSIONS



- NOTES:
1. POSITIONAL TOLERANCE OF LEADS (D), SHALL BE WITHIN 0.25 (0.010) AT MAXIMUM MATERIAL CONDITION, IN RELATION TO SEATING PLANE AND EACH OTHER.
 2. DIMENSION L TO CENTER OF LEADS WHEN FORMED PARALLEL.
 3. DIMENSION B DOES NOT INCLUDE MOLD FLASH.

DIM	MILLIMETERS		INCHES	
	MIN	MAX	MIN	MAX
A	36.45	37.21	1.435	1.465
B	13.72	14.22	0.540	0.560
C	3.94	5.08	0.155	0.200
D	0.36	0.56	0.014	0.022
F	1.02	1.52	0.040	0.060
G	2.54 BSC		0.100 BSC	
H	1.65	2.16	0.065	0.085
J	0.20	0.38	0.008	0.015
K	2.92	3.43	0.115	0.135
L	15.24 BSC		0.600 BSC	
M	0°	15°	0°	15°
N	0.51	1.02	0.020	0.040

**CASE 710-02
ISSUE B**

Motorola reserves the right to make changes without further notice to any products herein. Motorola makes no warranty, representation or guarantee regarding the suitability of its products for any particular purpose, nor does Motorola assume any liability arising out of the application or use of any product or circuit, and specifically disclaims any and all liability, including without limitation consequential or incidental damages. "Typical" parameters which may be provided in Motorola data sheets and/or specifications can and do vary in different applications and actual performance may vary over time. All operating parameters, including "Typicals" must be validated for each customer application by customer's technical experts. Motorola does not convey any license under its patent rights nor the rights of others. Motorola products are not designed, intended, or authorized for use as components in systems intended for surgical implant into the body, or other applications intended to support or sustain life, or for any other application in which the failure of the Motorola product could create a situation where personal injury or death may occur. Should Buyer purchase or use Motorola products for any such unintended or unauthorized application, Buyer shall indemnify and hold Motorola and its officers, employees, subsidiaries, affiliates, and distributors harmless against all claims, costs, damages, and expenses, and reasonable attorney fees arising out of, directly or indirectly, any claim of personal injury or death associated with such unintended or unauthorized use, even if such claim alleges that Motorola was negligent regarding the design or manufacture of the part. Motorola and are registered trademarks of Motorola, Inc. Motorola, Inc. is an Equal Opportunity/Affirmative Action Employer.

How to reach us:

USA/EUROPE/Locations Not Listed: Motorola Literature Distribution;
P.O. Box 20912; Phoenix, Arizona 85036. 1-800-441-2447 or 602-303-5454

JAPAN: Nippon Motorola Ltd.; Tatsumi-SPD-JLDC, 6F Seibu-Butsuryu-Center,
3-14-2 Tatsumi Koto-Ku, Tokyo 135, Japan. 03-81-3521-8315

MFAX: RMFAX0@email.sps.mot.com – TOUCHTONE 602-244-6609
INTERNET: http://Design-NET.com

ASIA/PACIFIC: Motorola Semiconductors H.K. Ltd.; 8B Tai Ping Industrial Park,
51 Ting Kok Road, Tai Po, N.T., Hong Kong. 852-26629298