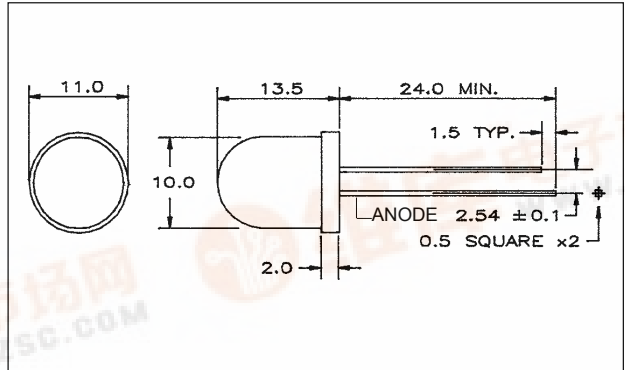


# Standard 10mm LED Lamps

## FEATURES

- Excellent on/off contrasts
- Solid state reliability
- Choice of color or white diffused lens
- Other colors/materials available



## MAXIMUM RATINGS (Ta = 25°C)

PART NO.	FORWARD CURRENT (I <sub>f</sub> ) (mA)	REVERSE VOLTAGE (V <sub>r</sub> ) (V)	POWER DISSIPATION (P <sub>d</sub> ) (mW)	OPERATING TEMPERATURE (T <sub>opp</sub> ) (°C)	STORAGE TEMPERATURE (T <sub>stg</sub> ) (°C)
MT1133-RG	30	5.0	85	-25~+85	-25~+100
MT2133-G	30	5.0	85	-25~+85	-25~+100
MT3133-Y	30	5.0	85	-25~+85	-25~+100
MT4133-O	30	5.0	85	-25~+85	-25~+100
MT4133-HR	30	5.0	85	-25~+85	-25~+100
MT1233-RG	30	5.0	85	-25~+85	-25~+100
MT2233-G	30	5.0	85	-25~+85	-25~+100
MT3233-Y	30	5.0	85	-25~+85	-25~+100
MT4233-O	30	5.0	85	-25~+85	-25~+100

## OPTO-ELECTRICAL CHARACTERISTICS (Ta = 25°C)

PART NO.	MATERIAL	LENS COLOR	VIEWING ANGLE typ.	LUMINOUS INTENSITY (mcd)			FORWARD VOLTAGE (V)			REVERSE CURRENT		PEAK WAVE LENGTH
				min.	typ.	@mA	typ.	max.	@mA	µA	Vr	nm
MT1133-RG	GaP	Red Diff	34°	1.2	3.0	20	2.1	3.0	20	100	5	700
MT2133-G	GaP	Green Diff	34°	6.0	90.0	20	2.1	3.0	20	100	5	567
MT3133-Y	GaAsP/GaP	Yellow Diff	34°	4.8	90.0	20	2.1	3.0	20	100	5	585
MT4133-O	GaAsP/GaP	Orange Diff	34°	6.8	45.0	20	2.1	3.0	20	100	5	635
MT4133-HR	GaAsP/GaP	Red Diff	34°	6.8	45.0	20	2.1	3.0	20	100	5	635
MT1233-RG	GaP	White Diff	34°	1.2	3.0	20	2.1	3.0	20	100	5	700
MT2233-G	GaP	White Diff	34°	6.0	90.0	20	2.1	3.0	20	100	5	567
MT3233-Y	GaAsP/GaP	White Diff	34°	4.8	90.0	20	2.1	3.0	20	100	5	585
MT4233-O	GaAsP/GaP	White Diff	34°	6.8	45.0	20	2.1	3.0	20	100	5	635

