

# MICRO

ELECTRONICS

查询/MU232A代理商

捷多邦, 专业PCB打样工厂, 24小时加急出货

MU232A  
MU232C

0.3" TWO DIGIT  
NUMERIC DISPLAYS

## SEVEN SEGMENT NUMERIC DISPLAY

High efficiency red GaAlAs/GaAs  
0.3 inch Character Height  
High Contrast  
Wide Viewing Angle  
Common Anode - MU232A  
Common Cathode - MU232C

## ABSOLUTE MAXIMUM RATINGS (Ta=25°C)

Power Dissipation / Segment	95mW
Peak Forward Current / Segment *	200mA
Continuous Forward Current / Segment	40mA
Reverse Voltage / Segment	5V
Operating Temperature Range	-20 to +85°C
Storage Temperature Range	-20 to +85°C

\* Note : Pulse Width = 1mS, Duty Ratio = 1/10.

## ELECTRO-OPTICAL CHARACTERISTICS (Ta=25°C) / segment

PARAMETER	SYMBOL	MIN	TYP	MAX	UNIT	CONDITIONS
Forward Voltage	VF		1.8	2.4	V	IF=20mA
Luminous Intensity	IV	1.0	1.8		mcd	IF=10mA
Segment to Segment Luminous Intensity Ratio				2:1		IF=10mA
Reverse Current	IR			100	μA	VR=5V
Peak Wavelength	λp		660		nm	IF=20mA
Spectral Line Half Width	Δλ		20		nm	IF=20mA

Page 1 of 2

MICRO ELECTRONICS LTD.

38, Hung To Road, Microtron Building, Kwun Tong, Kowloon, Hong Kong.

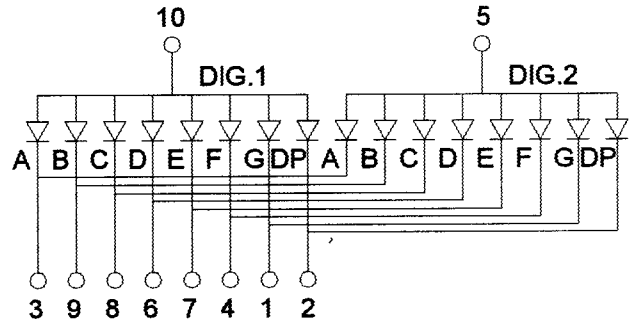
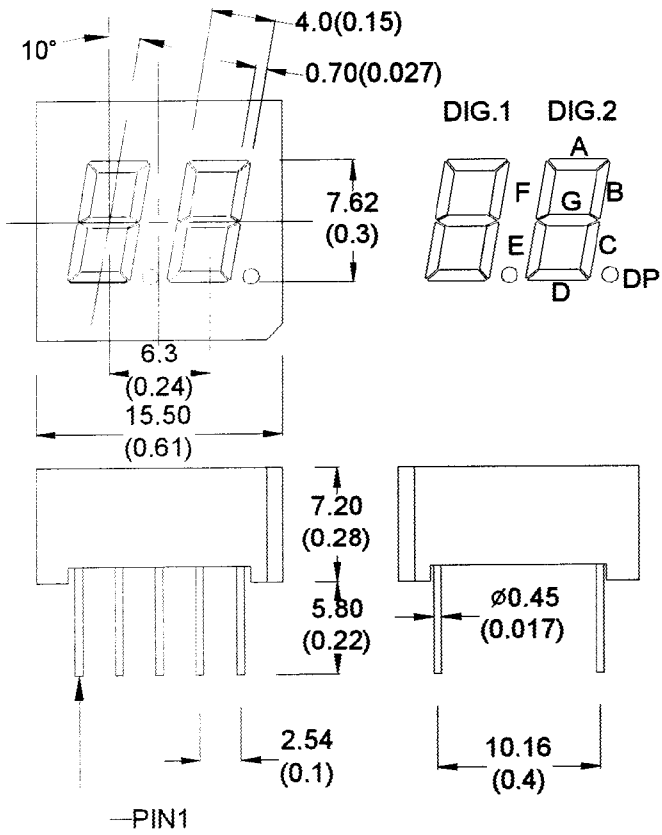
Kwun Tong P.O. Box 69477 Hong Kong. Fax No. 2341 0321 Telex:43510 Micro Hx. Tel: 2343 0181-5

Jul-99

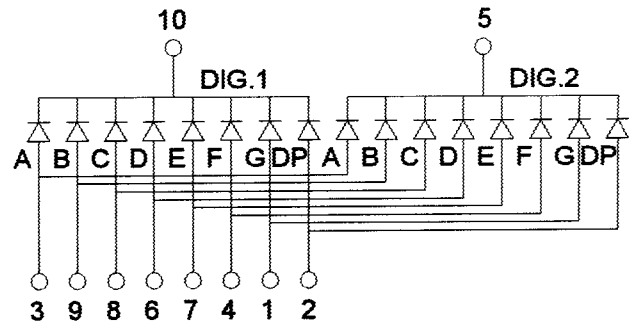


# MU232A / MU232C

## MECHANICAL DIMENSIONS



D-232a (COMMON ANODE)



D-232c (COMMON CATHODE)

- All Dimension in mm ( inch )
- NO Scale
- Tol : + / - 0.3mm

