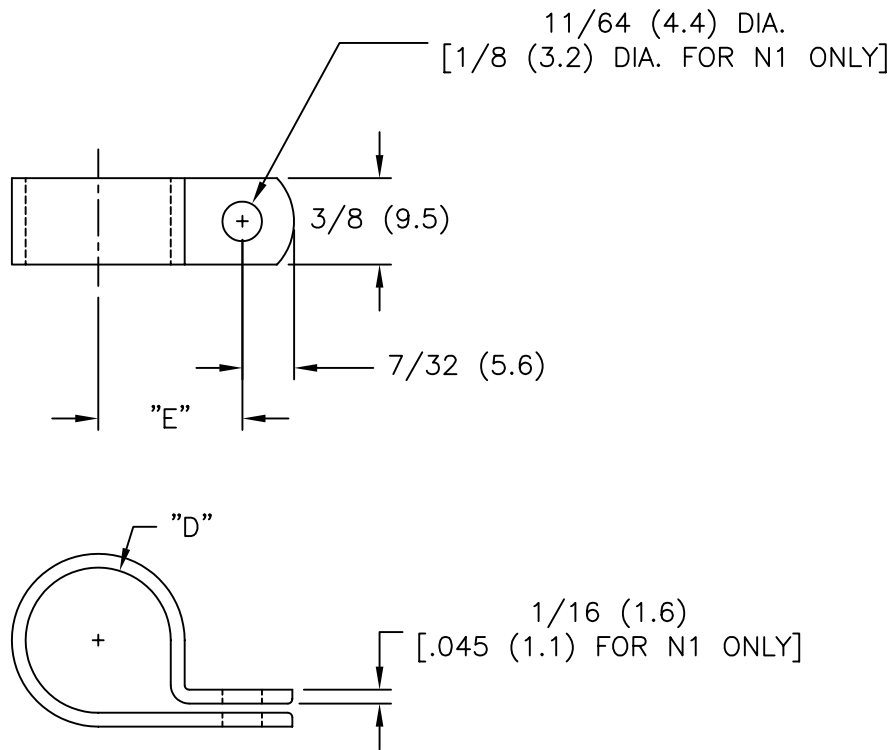


PART NO.		"D" HOLDING DIA.	"E" REF.
RMS-01 NATURAL	RMS-49 BLACK		
N1	N1-BK	1/16 (1.6)	.27 (6.7)
N2	N2-BK	1/8 (3.2)	21/64 (8.3)
N3	N3-BK	3/16 (4.8)	25/64 (9.9)
N4	N4-BK	1/4 (6.4)	27/64 (10.7)
N5	N5-BK	5/16 (7.9)	29/64 (11.5)
N6	N6-BK	3/8 (9.5)	31/64 (12.3)
N7	N7-BK	7/16 (11.1)	17/32 (13.5)
N8	N8-BK	1/2 (12.7)	9/16 (14.3)



D	SEE ECN #670 FOR CHANGES	SM 07.18.03
C	17/32 WAS 17/36 FOR N7	SJ 04.05.02
B	SWITCHED COLUMNS RMS-01 & RMS-49	DLC 10.11.01
A	ADDED NOTE 1. AND CHANGED FILE NO.	S.M. 10.01.01
R E V	DESCRIPTION	ENGR DATE

TITLE: CABLE CLAMP, N SERIES



DWG IN
IN (MM)

FINAL

TOLERANCES UNLESS NOTED .XX=±.010 .XXX=±.005 FRAC=±1/64 ANG=±1°	FILE # N SERIES	DWN: J.B.	APP:	PART # SEE TABLE	PRINT TYPE CA
	MAT'L: SEE NOTES	DT: 11-09-95	DT:		
	RE: RICHCO, INC.	RICHCO INC. PO BOX 804238, CHICAGO, 60680 (773) 539-4060			