

**N - CHANNEL ENHANCEMENT MODE
"ULTRA HIGH DENSITY" POWER MOS TRANSISTOR**

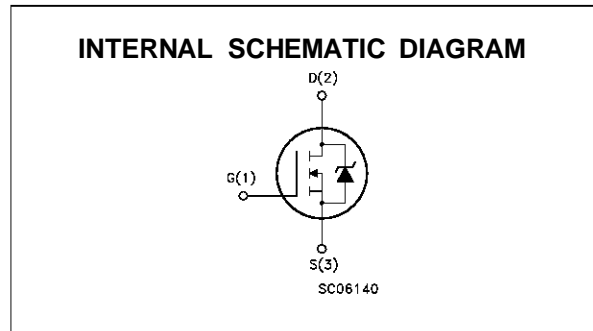
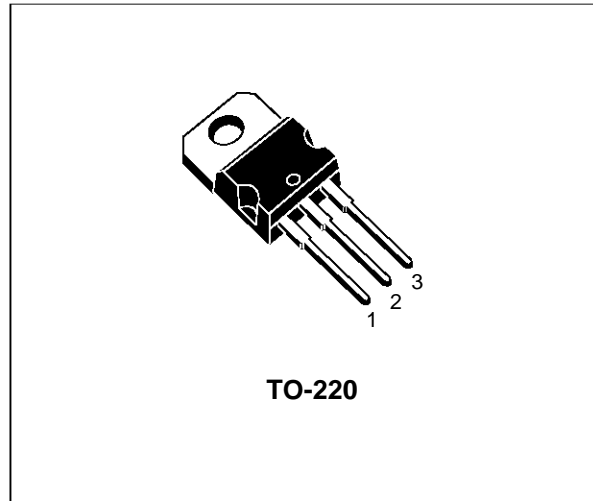
PRELIMINARY DATA

TYPE	V _{DSS}	R _{DS(on)}	I _D
STP40N03L-20	30 V	< 0.02 Ω	40 A

- TYPICAL R_{DS(on)} = 0.016 Ω
- AVALANCHE RUGGED TECHNOLOGY
- 100% AVALANCHE TESTED
- HIGH CURRENT CAPABILITY
- 175°C OPERATING TEMPERATURE
- HIGH dV/dt CAPABILITY
- APPLICATION ORIENTED CHARACTERIZATION

APPLICATIONS

- HIGH CURRENT, HIGH SPEED SWITCHING
- POWER MOTOR CONTROL
- DC-DC & DC-AC CONVERTERS
- SYNCHRONOUS RECTIFICATION



ABSOLUTE MAXIMUM RATINGS

Symbol	Parameter	Value	Unit
V _{DS}	Drain-source Voltage (V _{GS} = 0)	30	V
V _{DGR}	Drain- gate Voltage (R _{GS} = 20 kΩ)	30	V
V _{GS}	Gate-source Voltage	± 15	V
I _D	Drain Current (continuous) at T _c = 25 °C	40	A
I _D	Drain Current (continuous) at T _c = 100 °C	28	A
I _{DM} (•)	Drain Current (pulsed)	160	A
P _{tot}	Total Dissipation at T _c = 25 °C	90	W
	Derating Factor	0.6	W/°C
dV/dt(1)	Peak Diode Recovery voltage slope	6	V/ns
T _{stg}	Storage Temperature	-65 to 175	°C
T _j	Max. Operating Junction Temperature	175	°C

(•) Pulse width limited by safe operating area

STP40N03L-20

THERMAL DATA

R _{thj-case}	Thermal Resistance Junction-case	Max	1.66	°C/W
R _{thj-amb}	Thermal Resistance Junction-ambient	Max	62.5	°C/W
R _{thc-sink}	Thermal Resistance Case-sink	Typ	0.5	°C/W
T _J	Maximum Lead Temperature For Soldering Purpose		300	°C

AVALANCHE CHARACTERISTICS

Symbol	Parameter	Max Value	Unit
I _{AR}	Avalanche Current, Repetitive or Not-Repetitive (pulse width limited by T _J max, δ < 1%)	40	A
E _{AS}	Single Pulse Avalanche Energy (starting T _J = 25 °C, I _D = I _{AR} , V _{DD} = 25 V)	300	mJ
E _{AR}	Repetitive Avalanche Energy (pulse width limited by T _J max, δ < 1%)	75	mJ
I _{AR}	Avalanche Current, Repetitive or Not-Repetitive (T _c = 100 °C, pulse width limited by T _J max, δ < 1%)	28	A

ELECTRICAL CHARACTERISTICS (T_{case} = 25 °C unless otherwise specified)

OFF

Symbol	Parameter	Test Conditions	Min.	Typ.	Max.	Unit
V _{(BR)DSS}	Drain-source Breakdown Voltage	I _D = 250 μA V _{GS} = 0	30			V
I _{DSS}	Zero Gate Voltage Drain Current (V _{GS} = 0)	V _{DS} = Max Rating V _{DS} = Max Rating x 0.8 T _c = 125 °C			250 1000	μA μA
I _{GSS}	Gate-body Leakage Current (V _{DS} = 0)	V _{GS} = ± 15 V			± 100	nA

ON (*)

Symbol	Parameter	Test Conditions	Min.	Typ.	Max.	Unit
V _{GS(th)}	Gate Threshold Voltage	V _{DS} = V _{GS} I _D = 250 μA	1	1.6	2	V
R _{DS(on)}	Static Drain-source On Resistance	V _{GS} = 10V I _D = 20 A V _{GS} = 10V I _D = 20 A T _c = 100°C V _{GS} = 5V I _D = 20 A		0.016 0.019	0.02 0.023	Ω Ω Ω
I _{D(on)}	On State Drain Current	V _{DS} > I _{D(on)} x R _{DS(on)max} V _{GS} = 10 V	40			A

DYNAMIC

Symbol	Parameter	Test Conditions	Min.	Typ.	Max.	Unit
g _{fs} (*)	Forward Transconductance	V _{DS} > I _{D(on)} x R _{DS(on)max} I _D = 20 A	15	22		S
C _{iss}	Input Capacitance	V _{DS} = 25 V f = 1 MHz V _{GS} = 0		1800	2300	pF
C _{oss}	Output Capacitance			450	580	pF
C _{rss}	Reverse Transfer Capacitance			180	230	pF

ELECTRICAL CHARACTERISTICS (continued)**SWITCHING ON**

Symbol	Parameter	Test Conditions	Min.	Typ.	Max.	Unit
$t_{d(on)}$ t_r	Turn-on Time Rise Time	$V_{DD} = 15\text{ V}$ $I_D = 10\text{ A}$ $R_G = 4.7\ \Omega$ $V_{GS} = 5\text{ V}$ (see test circuit, figure 3)		20 80	30 100	ns ns
$(di/dt)_{on}$	Turn-on Current Slope	$V_{DD} = 24\text{ V}$ $I_D = 20\text{ A}$ $R_G = 50\ \Omega$ $V_{GS} = 5\text{ V}$ (see test circuit, figure 5)		200		A/ μs
Q_g Q_{gs} Q_{gd}	Total Gate Charge Gate-Source Charge Gate-Drain Charge	$V_{DD} = 24\text{ V}$ $I_D = 20\text{ A}$ $V_{GS} = 5\text{ V}$		40 10 20	60	nC nC nC

SWITCHING OFF

Symbol	Parameter	Test Conditions	Min.	Typ.	Max.	Unit
$t_{r(Voff)}$ t_f t_c	Off-voltage Rise Time Fall Time Cross-over Time	$V_{DD} = 24\text{ V}$ $I_D = 20\text{ A}$ $R_G = 4.7\ \Omega$ $V_{GS} = 5\text{ V}$ (see test circuit, figure 5)		42 45 76	55 60 100	ns ns ns

SOURCE DRAIN DIODE

Symbol	Parameter	Test Conditions	Min.	Typ.	Max.	Unit
I_{SD} $I_{SDM}(\bullet)$	Source-drain Current Source-drain Current (pulsed)				40 160	A A
$V_{SD} (*)$	Forward On Voltage	$I_{SD} = 40\text{ A}$ $V_{GS} = 0$			1.5	V
t_{rr} Q_{rr} I_{RRM}	Reverse Recovery Time Reverse Recovery Charge Reverse Recovery Current	$I_{SD} = 20\text{ A}$ $di/dt = 100\text{ A}/\mu\text{s}$ $V_{DD} = 24\text{ V}$ $T_j = 150\text{ }^\circ\text{C}$ (see test circuit, figure 5)		65 0.12 4		ns μC A

(*) Pulsed: Pulse duration = 300 μs , duty cycle 1.5 %

(\bullet) Pulse width limited by safe operating area

(1) $I_{SD} \leq 40\text{ A}$, $di/dt \leq 300\text{ A}/\mu\text{s}$, $V_{DD} \leq V_{(BR)DSS}$, $T_j \leq T_{JMAX}$

STP40N03L-20

PSPICE PARAMETERS SUBCIRCUIT COMPONENTS

Symbol	Parameter	Value	Unit
S1	(V14_16<0) (See Power Mosfet Model Subcircuit)	ON	
S2	(V16_11<0) (See Power Mosfet Model Subcircuit)	ON	
LD	Drain Inductance	8	nH
LG	Gate Inductance	10	nH
LS	Source Inductance	10	nH
RDRAIN	Drain Resistance	1.9E ⁻²	Ω
RGATE	Gate Resistance	1	Ω
CGD	Gate Drain Capacitance	3.92	nF
CGS	Gate Source Capacitance	1.9	nF
ALFA	Drift Coeficient	1E ⁻³	V ⁻¹
RGN	Negative Bias Resistance	10	KΩ

DIODE DRAIN GATE (Depletion Capacitance)

Symbol	Parameter	Value	Unit
CJO	Zero Bias p-n Capacitance	2.7	nF
VJ	p-n Potential	0.35	V
M	p-n Grading Coefficient	0.55	

DIODE DRAIN SOURCE

Symbol	Parameter	Value	Unit
CJO	Zero Bias p-n Capacitance	10	nF
VJ	p-n Potential	0.35	V
M	p-n Grading Coefficient	0.55	
TT	Transit Time	20	nsec

N MOSFET

Symbol	Parameter	Value	Unit
L	Channel Length	1	μMeter
W	Channel Width	1	μMeter
LEVEL	Model Index	3	
TOX	Oxide Thickness	1	Meter
VTO	Zero Bias Threshold Voltage	3.25	V
U0	Surface Mobility	600	cm ² /VS
THETA	Mobility Modulation	0.005	V ⁻¹
Vmax	Maximum Drift Velocity	0	Meter/sec
KP	Trans Conductance Coefficient	15	Amp/V ²

For Transient Simulation Applicate U.I.C. (Use Initial Condition) Option

PSPICE NETLIST OF THE SUBCIRCUIT

.SUBCKT STP40N03L-20 1 2 3
 *VALUE OF THE PACKAGE INDUCTANCES
 LS 1 11 10n
 LG 2 12 10n
 LD 3 13 7n

*RESISTANCE OF THE GATE
 POLYSILICON
 RG 12 16 1

*EPY AND DRIFT RESISTANCES
 RD 13 14 1.9e-02
 EDRI 14 15 POLY(2) (13 14) (13 11) 0 0 0 0
 1e-3

*CAPACITANCE GATE SOURCE
 CGS 16 11 1.90n

*OPTIONAL FOR NEGATIVE GATE BIAS
 *S2 51 11 11 16 SWITCH
 *CGN 51 16 3.92n
 *RGN 51 16 10k

*MILLER CAPACITANCE
 CGD 16 17 3.92n

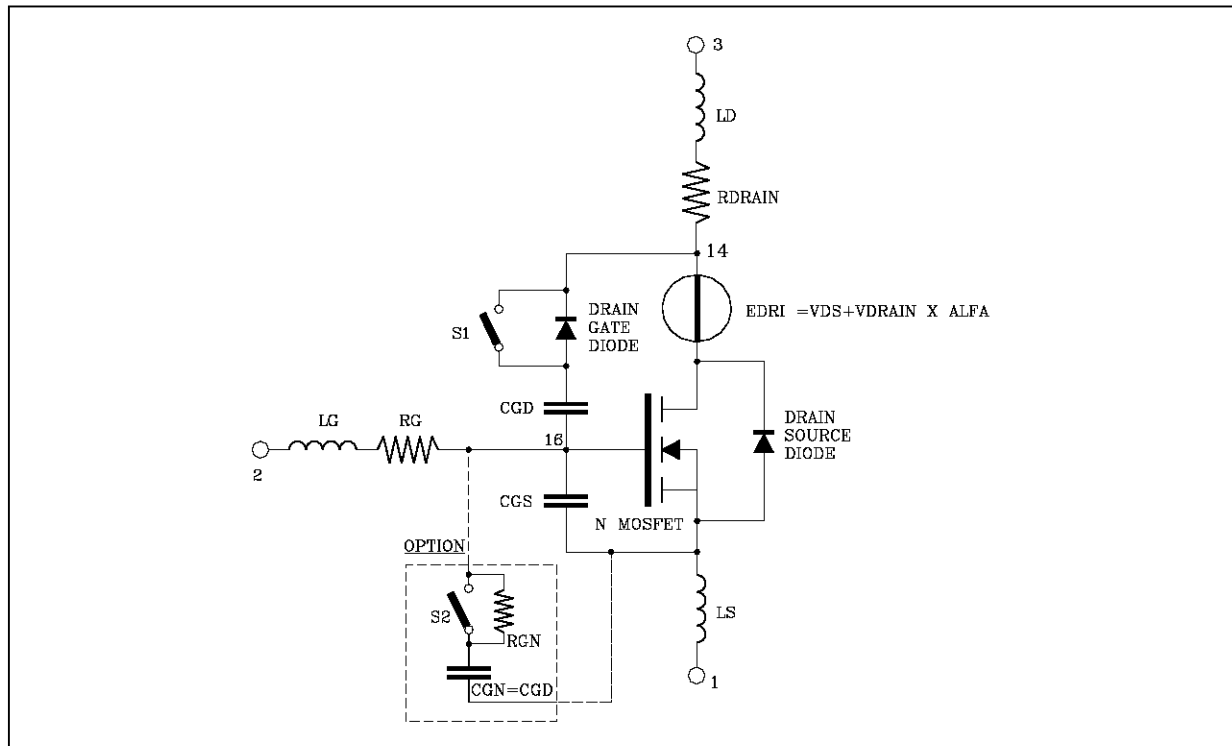
* DEPLETION CAPACITANCE
 DGD 17 14 DGD
 S1 17 14 16 14 SWITCH
 .MODEL DGD D +IS=
 +CJO=2.6n
 +Vj=.1
 +M=.6

.MODEL SWITCH VSWITCH
 +RON=1m
 +ROFF=1MEG
 +VON=0.1

* OUTPUT CAPACITANCE AND BODY DRAIN DIODE
 DBD 11 14 DBD
 .MODEL DBD D
 +TT=20n
 +CJO=7.8n
 +VJ=.1
 +M=.6

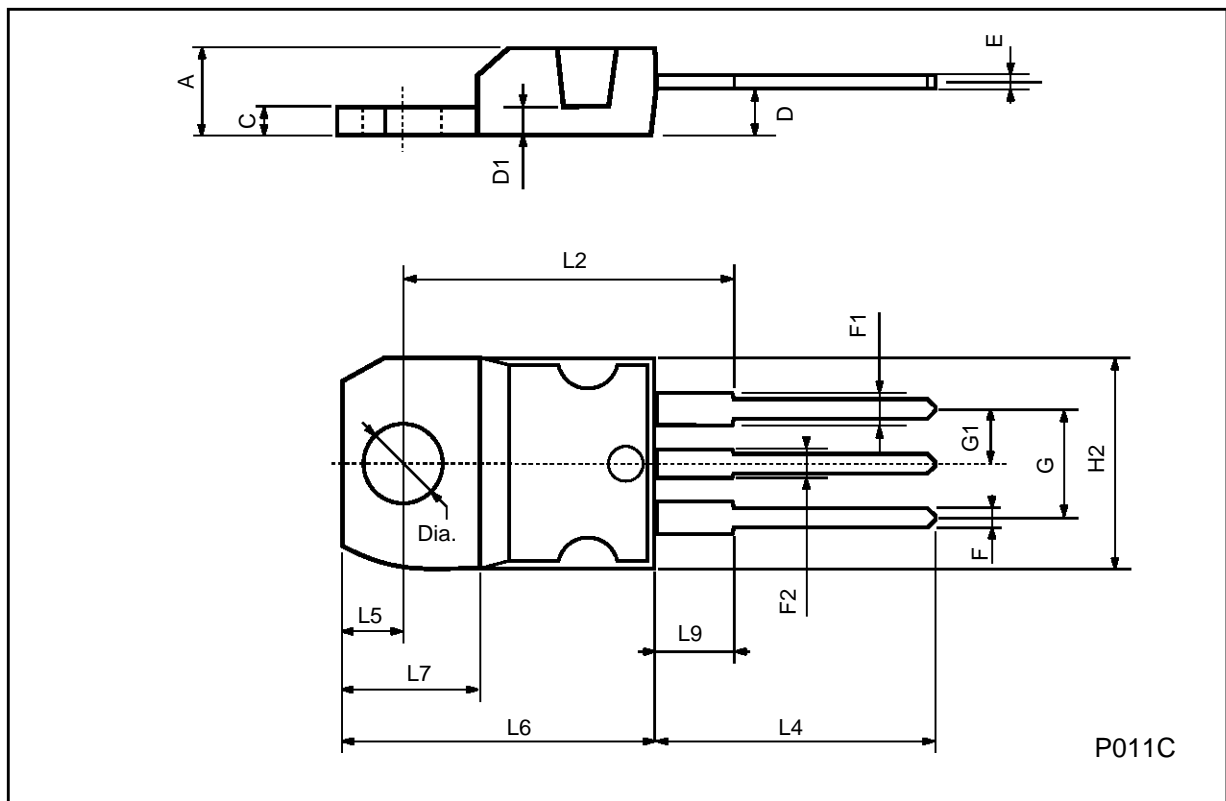
* MODEL OF THE MOSFET
 MMAIN 15 16 11 11 MMAIN L=1u W=1u
 .MODEL MMAIN NMOS
 +LEVEL=3
 +TOX=1
 +VTO=3.25
 +uo=600
 +THETA=0.005
 +VMAX=5e7
 +KP=28
 .ENDS

Power Mosfet Model Subcircuit



TO-220 MECHANICAL DATA

DIM.	mm			inch		
	MIN.	TYP.	MAX.	MIN.	TYP.	MAX.
A	4.40		4.60	0.173		0.181
C	1.23		1.32	0.048		0.051
D	2.40		2.72	0.094		0.107
D1		1.27			0.050	
E	0.49		0.70	0.019		0.027
F	0.61		0.88	0.024		0.034
F1	1.14		1.70	0.044		0.067
F2	1.14		1.70	0.044		0.067
G	4.95		5.15	0.194		0.203
G1	2.4		2.7	0.094		0.106
H2	10.0		10.40	0.393		0.409
L2		16.4			0.645	
L4	13.0		14.0	0.511		0.551
L5	2.65		2.95	0.104		0.116
L6	15.25		15.75	0.600		0.620
L7	6.2		6.6	0.244		0.260
L9	3.5		3.93	0.137		0.154
DIA.	3.75		3.85	0.147		0.151



Information furnished is believed to be accurate and reliable. However, SGS-THOMSON Microelectronics assumes no responsibility for the consequences of use of such information nor for any infringement of patents or other rights of third parties which may result from its use. No license is granted by implication or otherwise under any patent or patent rights of SGS-THOMSON Microelectronics. Specifications mentioned in this publication are subject to change without notice. This publication supersedes and replaces all information previously supplied. SGS-THOMSON Microelectronics products are not authorized for use as critical components in life support devices or systems without express written approval of SGS-THOMSON Microelectronics.

© 1995 SGS-THOMSON Microelectronics - All Rights Reserved

SGS-THOMSON Microelectronics GROUP OF COMPANIES

Australia - Brazil - France - Germany - Hong Kong - Italy - Japan - Korea - Malaysia - Malta - Morocco - The Netherlands -
Singapore - Spain - Sweden - Switzerland - Taiwan - Thailand - United Kingdom - U.S.A

...

Copyright © Each Manufacturing Company.

All Datasheets cannot be modified without permission.

This datasheet has been download from :

www.AllDataSheet.com

100% Free DataSheet Search Site.

Free Download.

No Register.

Fast Search System.

www.AllDataSheet.com