

NCP803

Very Low Supply Current 3-Pin Microprocessor Reset Monitor

The NCP803 is a cost-effective system supervisor circuit designed to monitor V_{CC} in digital systems and provide a reset signal to the host processor when necessary. No external components are required.

The reset output is driven active within 10 μ sec of V_{CC} falling through the reset voltage threshold. Reset is maintained active for a minimum of 140 msec after V_{CC} rises above the reset threshold. The NCP803 has an open drain active-low $\overline{\text{RESET}}$ output. The output of the NCP803 is guaranteed valid down to $V_{CC} = 1.0$ V and is available in a SOT-23 package.

The NCP803 is optimized to reject fast transient glitches on the V_{CC} line. Low supply current of 1.0 μ A ($V_{CC} = 3.2$ V) make this device suitable for battery powered applications.

Features

- Precision V_{CC} Monitor for 2.5 V, 3.0 V, 3.3 V, and 5.0 V Supplies
- Precision Monitoring Voltages from 1.6 V to 4.9 V Available in 100 mV Steps
- 140 msec Guaranteed Minimum $\overline{\text{RESET}}$ Output Duration
- $\overline{\text{RESET}}$ Output Guaranteed to $V_{CC} = 1.0$ V
- Low 1.0 μ A Supply Current
- V_{CC} Transient Immunity
- Small SOT-23 Package
- No External Components
- Wide Operating Temperature: -40°C to 105°C

Typical Applications

- Computers
- Embedded Systems
- Battery Powered Equipment
- Critical μ P Power Supply Monitoring

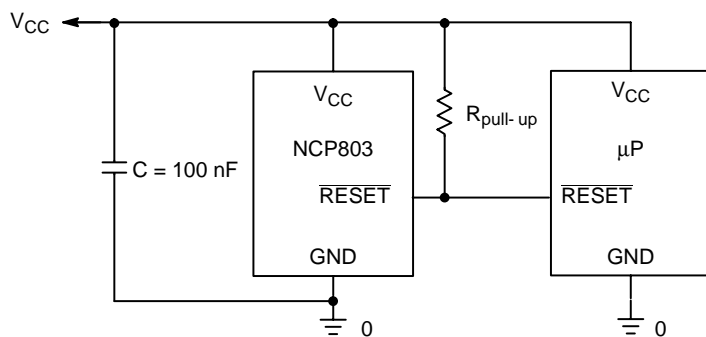


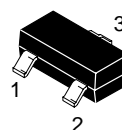
Figure 1. Typical Application Diagram



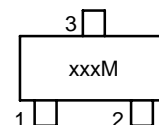
ON Semiconductor®

<http://onsemi.com>

MARKING DIAGRAM

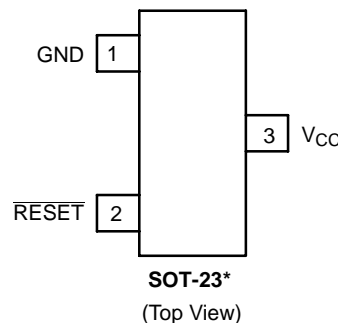


SOT-23
(TO-236)
CASE 318



xxx = Specific Device Code
M = Monthly Date Code

PIN CONFIGURATION



NOTE: *SOT-23 is equivalent to JEDEC (TO-236)

ORDERING INFORMATION

Device	Package	Shipping
NCP803SNxxxT1	SOT-23	3000/Tape & Reel

NOTE: The "xxx" denotes a suffix for V_{CC} voltage threshold options - see page 6 for more details.

DEVICE MARKING INFORMATION

See general marking information in the device marking section on page 6 of this data sheet.

NCP803

PIN DESCRIPTION

Pin No.	Symbol	Description
1	GND	Ground
2	RESET	RESET output remains low while V _{CC} is below the reset voltage threshold, and for 240 msec (typ.) after V _{CC} rises above reset threshold.
3	V _{CC}	Supply Voltage: C = 100 nF is recommended as a bypass capacitor between V _{CC} and GND.

ABSOLUTE MAXIMUM RATINGS* (Note 1)

Rating	Symbol	Value	Unit
Supply Voltage (V _{CC} to GND)	V _{CC}	6.0	V
RESET		-0.3 to (V _{CC} + 0.3)	V
Input Current, V _{CC}		20	mA
Output Current, RESET		20	mA
dV/dt (V _{CC})		100	V/μsec
Thermal Resistance, Junction to Air	R _{θJA}	491	°C/W
Operating Temperature Range	T _A	-40 to +105	°C
Storage Temperature Range	T _{stg}	-65 to +150	°C
Lead Temperature (Soldering, 10 Seconds)	T _{sol}	+260	°C
Latch-up performance: Negative	I _{Latch-up}	150	mA

*Maximum Ratings are those values beyond which damage to the device may occur.

1. This device series contains ESD protection and exceeds the following tests:

Human Body Model 4000 V per MIL-STD-883, Method 3015.

Machine Model Method 400 V.

2. The maximum package power dissipation limit must not be exceeded.

$$P_D = \frac{T_{J(max)} - T_A}{R_{\theta JA}} \quad \text{with } T_{J(max)} = 150^\circ\text{C}$$

NCP803

ELECTRICAL CHARACTERISTICS $T_A = -40^{\circ}\text{C}$ to $+105^{\circ}\text{C}$ unless otherwise noted. Typical values are at $T_A = +25^{\circ}\text{C}$. (Note 3)

Characteristic	Symbol	Min	Typ	Max	Unit
V _{CC} Range $T_A = 0^{\circ}\text{C}$ to $+70^{\circ}\text{C}$ $T_A = -40^{\circ}\text{C}$ to $+105^{\circ}\text{C}$		1.0 1.2	- -	5.5 5.5	V
Supply Current V _{CC} = 3.3 V $T_A = -40^{\circ}\text{C}$ to $+85^{\circ}\text{C}$ $T_A = 85^{\circ}\text{C}$ to $+105^{\circ}\text{C}$ V _{CC} = 5.5 V $T_A = -40^{\circ}\text{C}$ to $+85^{\circ}\text{C}$ $T_A = 85^{\circ}\text{C}$ to $+105^{\circ}\text{C}$	I _{CC}	- - - -	0.5 - 0.8 -	1.2 2.0 1.8 2.5	μA
Reset Threshold (Note 4)	V _{TH}				V
NCP803SN463 $T_A = +25^{\circ}\text{C}$ $T_A = -40^{\circ}\text{C}$ to $+85^{\circ}\text{C}$ $T_A = +85^{\circ}\text{C}$ to $+105^{\circ}\text{C}$		4.56 4.51 4.39	4.63 - -	4.70 4.75 4.87	
NCP803SN438 $T_A = +25^{\circ}\text{C}$ $T_A = -40^{\circ}\text{C}$ to $+85^{\circ}\text{C}$ $T_A = +85^{\circ}\text{C}$ to $+105^{\circ}\text{C}$		4.31 4.27 4.16	4.38 - -	4.45 4.49 4.60	
NCP803SN308 $T_A = +25^{\circ}\text{C}$ $T_A = -40^{\circ}\text{C}$ to $+85^{\circ}\text{C}$ $T_A = +85^{\circ}\text{C}$ to $+105^{\circ}\text{C}$		3.04 3.00 2.92	3.08 - -	3.11 3.15 3.23	
NCP803SN293 $T_A = +25^{\circ}\text{C}$ $T_A = -40^{\circ}\text{C}$ to $+85^{\circ}\text{C}$ $T_A = +85^{\circ}\text{C}$ to $+105^{\circ}\text{C}$		2.89 2.85 2.78	2.93 - -	2.96 3.00 3.08	
NCP803SN263 $T_A = +25^{\circ}\text{C}$ $T_A = -40^{\circ}\text{C}$ to $+85^{\circ}\text{C}$ $T_A = +85^{\circ}\text{C}$ to $+105^{\circ}\text{C}$		2.59 2.55 2.50	2.63 - -	2.66 2.70 2.76	
NCP803SN232 $T_A = +25^{\circ}\text{C}$ $T_A = -40^{\circ}\text{C}$ to $+85^{\circ}\text{C}$ $T_A = +85^{\circ}\text{C}$ to $+105^{\circ}\text{C}$		2.29 2.26 2.20	2.32 - -	2.35 2.38 2.44	
NCP803SN160 $T_A = +25^{\circ}\text{C}$ $T_A = -40^{\circ}\text{C}$ to $+85^{\circ}\text{C}$ $T_A = +85^{\circ}\text{C}$ to $+105^{\circ}\text{C}$		1.58 1.56 1.52	1.60 - -	1.62 1.64 1.68	
Reset Temperature Coefficient		-	30	-	ppm/ $^{\circ}\text{C}$
V _{CC} to Reset Delay $V_{CC} = V_{TH} - 100\text{ mV}$		-	10	-	μsec
Reset Active Timeout Period		140	240	460	msec
RESET Output Voltage Low V _{CC} = V _{TH} - 0.2 V 1.6 V ≤ V _{TH} ≤ 2.0 V, I _{SINK} = 0.5 mA 2.1 V ≤ V _{TH} ≤ 4.0 V, I _{SINK} = 1.2 mA 4.1 V ≤ V _{TH} ≤ 4.9 V, I _{SINK} = 3.2 mA	V _{OL}	-	-	0.3	V
RESET Leakage Current V _{CC} > V _{TH} , RESET De-asserted	I _{LEAK}	-	-	1	μA

3. Production testing done at $T_A = 25^{\circ}\text{C}$, over temperature limits guaranteed by design.

4. Contact your ON Semiconductor sales representative for other threshold voltage options.

APPLICATIONS INFORMATION

V_{CC} Transient Rejection

The NCP803 provides accurate V_{CC} monitoring and reset timing during power-up, power-down, and brownout/sag conditions, and rejects negative-going transients (glitches) on the power supply line. Figure 2 shows the maximum transient duration vs. maximum negative excursion (overdrive) for glitch rejection. Any combination of duration and overdrive which lies **under** the curve will **not** generate a reset signal. Combinations above the curve are detected as a brownout or power-down. Typically, transient that goes 100 mV below the reset threshold and lasts 5 μs or less will not cause a reset pulse. Transient immunity can be improved by adding a capacitor in close proximity to the V_{CC} pin.

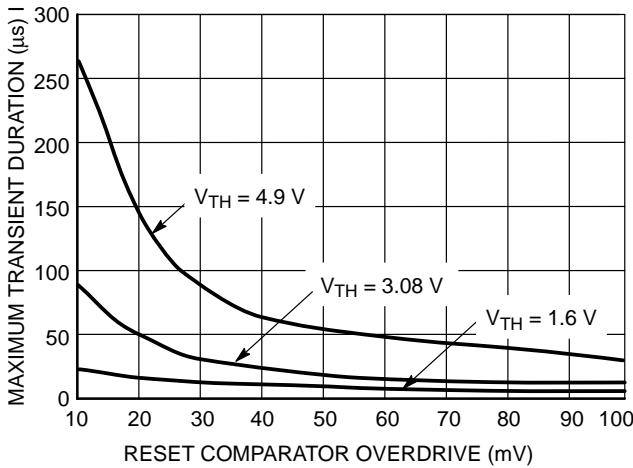
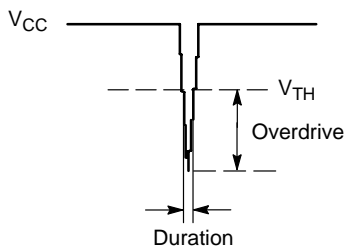


Figure 2. Maximum Transient Duration vs. Overdrive for Glitch Rejection at 25°C

Processors With Bidirectional I/O Pins

Some μP's (such as Motorola 68HC11) have bi-directional reset pins which interface easily with the Open Drain $\overline{\text{RESET}}$ output of the NCP803. As shown in Figure 3, one can connect directly to the $\overline{\text{RESET}}$ output of the NCP803 to the $\overline{\text{RESET}}$ pin of the μP. The pull-up resistor avoids an undetermined voltage of the $\overline{\text{RESET}}$ pin.

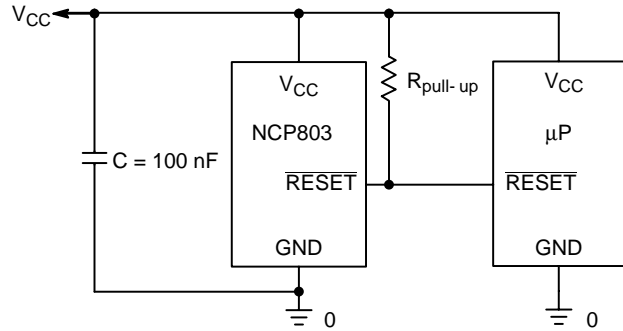


Figure 3. Interfacing to Bidirectional Reset I/O

NCP803 $\overline{\text{RESET}}$ Output Allows Use With Two Power Supplies

In numerous applications the pull-up resistor placed on the $\overline{\text{RESET}}$ output is connected to the supply voltage monitored by the IC. Nevertheless, a different supply voltage can also power this output and so level-shift from the monitored supply to reset the μP. However, if the NCP803's supply goes below 1 V, the $\overline{\text{RESET}}$ output ability to sink current will decrease and the result is a high state on the pin even though the supply's IC is under the threshold level. This occurs at a V_{CC} level that depends on the R_{pull-up} value and the voltage to which it is connected.

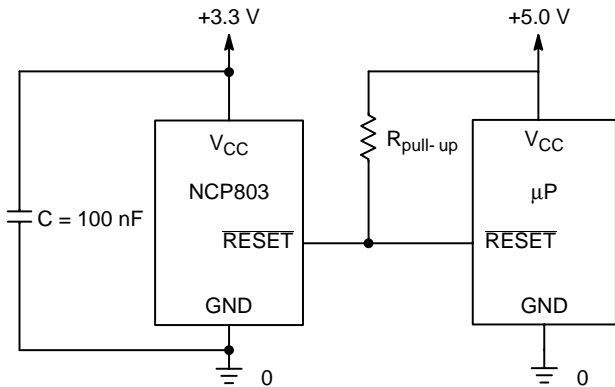


Figure 4. $\overline{\text{RESET}}$ Output with Two Power Supplies

TYPICAL CHARACTERISTICS

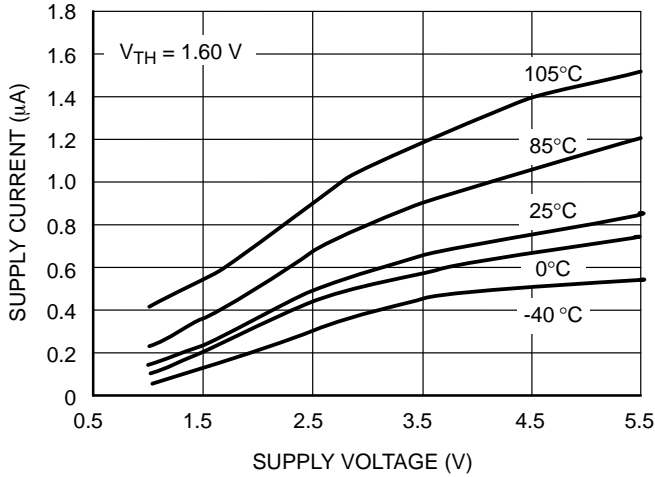


Figure 5. Supply Current vs. Supply Voltage

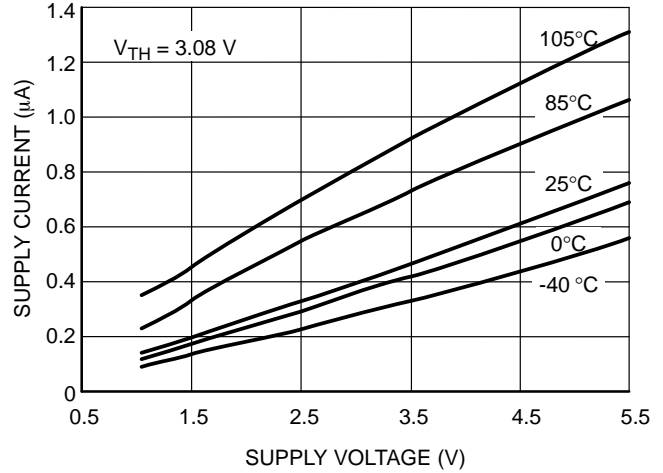


Figure 6. Supply Current vs. Supply Voltage

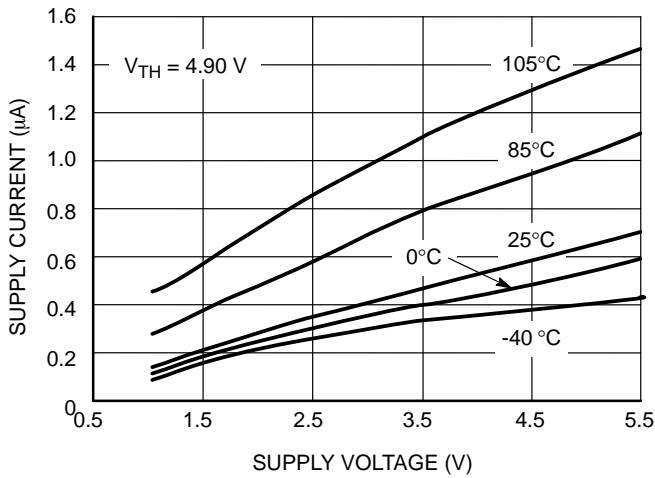


Figure 7. Supply Current vs. Supply Voltage

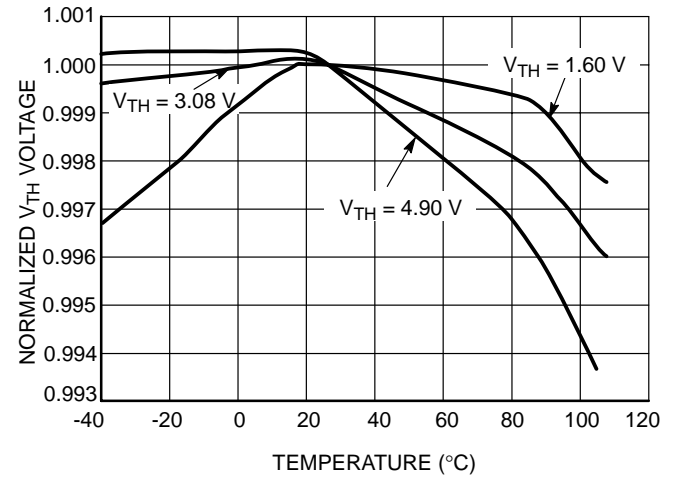


Figure 8. Normalized Reset Threshold Voltage vs. Temperature

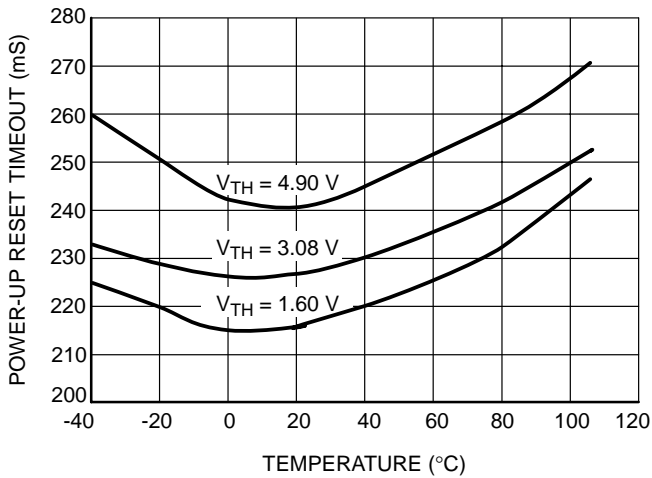


Figure 9. Power-up Reset Timeout vs. Temperature

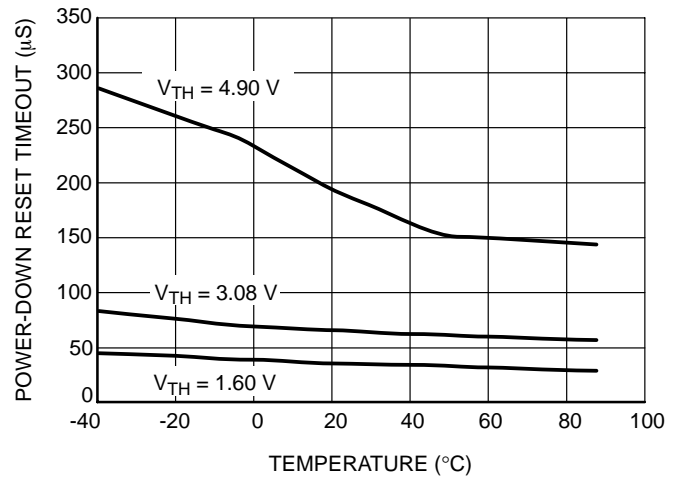
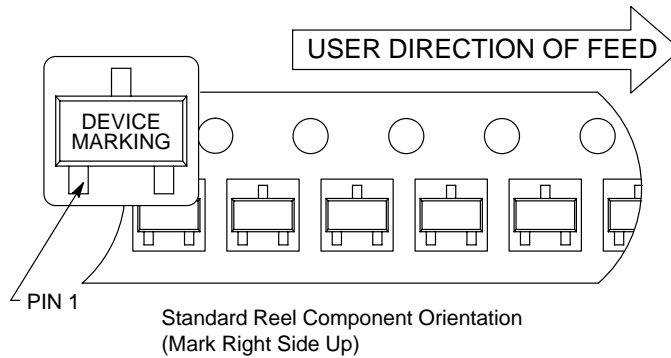


Figure 10. Power-down Reset Timeout vs. Temperature (Overdrive = 20 mV)

NCP803

TAPING FORM

Component Taping Orientation for 3L SOT-23 (JEDEC-236) Devices



Tape & Reel Specifications Table

Package	Carrier Width (W)	Pitch (P)	Part Per Full Reel	Reel Size
SOT-23	8 mm	4 mm	3000	7 inches

MARKING AND THRESHOLD INFORMATION

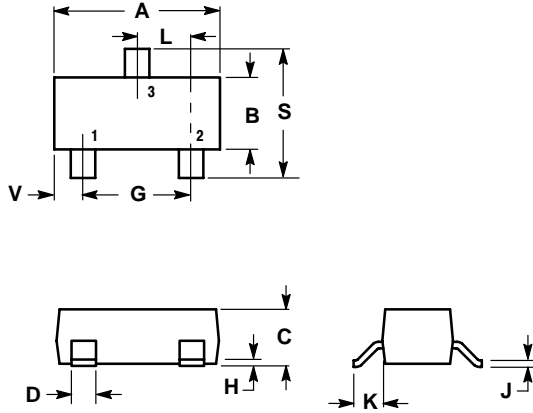
ON Semiconductor Part #	V_{TH}^*	Marking (Note 5)
NCP803SN160T1	1.60	SCQM
NCP803SN232T1	2.32	SQRM
NCP803SN263T1	2.63	SQCM
NCP803SN293T1	2.93	SQDM
NCP803SN308T1	3.08	SQEM
NCP803SN438T1	4.38	SQFM
NCP803SN463T1	4.63	SQGM

*Contact your ON Semiconductor sales representative for other threshold voltage options.
5. M = Monthly Date Code

NCP803

PACKAGE DIMENSIONS

SOT-23
 PLASTIC PACKAGE (TO-236)
 CASE 318-08
 ISSUE AH



NOTES:

1. DIMENSIONING AND TOLERANCING PER ANSI Y14.5M, 1982.
2. CONTROLLING DIMENSION: INCH.
3. MAXIMUM LEAD THICKNESS INCLUDES LEAD FINISH THICKNESS. MINIMUM LEAD THICKNESS IS THE MINIMUM THICKNESS OF BASE MATERIAL.
4. 318-03 AND -07 OBSOLETE, NEW STANDARD 318-08.

DIM	INCHES		MILLIMETERS	
	MIN	MAX	MIN	MAX
A	0.1102	0.1197	2.80	3.04
B	0.0472	0.0551	1.20	1.40
C	0.0350	0.0440	0.89	1.11
D	0.0150	0.0200	0.37	0.50
G	0.0701	0.0807	1.78	2.04
H	0.0005	0.0040	0.013	0.100
J	0.0034	0.0070	0.085	0.177
K	0.0140	0.0285	0.35	0.69
L	0.0350	0.0401	0.89	1.02
S	0.0830	0.1039	2.10	2.64
V	0.0177	0.0236	0.45	0.60

SENSEFET is a trademark of Semiconductor Components Industries, LLC.

ON Semiconductor and  are registered trademarks of Semiconductor Components Industries, LLC (SCILLC). SCILLC reserves the right to make changes without further notice to any products herein. SCILLC makes no warranty, representation or guarantee regarding the suitability of its products for any particular purpose, nor does SCILLC assume any liability arising out of the application or use of any product or circuit, and specifically disclaims any and all liability, including without limitation special, consequential or incidental damages. "Typical" parameters which may be provided in SCILLC data sheets and/or specifications can and do vary in different applications and actual performance may vary over time. All operating parameters, including "Typicals" must be validated for each customer application by customer's technical experts. SCILLC does not convey any license under its patent rights nor the rights of others. SCILLC products are not designed, intended, or authorized for use as components in systems intended for surgical implant into the body, or other applications intended to support or sustain life, or for any other application in which the failure of the SCILLC product could create a situation where personal injury or death may occur. Should Buyer purchase or use SCILLC products for any such unintended or unauthorized application, Buyer shall indemnify and hold SCILLC and its officers, employees, subsidiaries, affiliates, and distributors harmless against all claims, costs, damages, and expenses, and reasonable attorney fees arising out of, directly or indirectly, any claim of personal injury or death associated with such unintended or unauthorized use, even if such claim alleges that SCILLC was negligent regarding the design or manufacture of the part. SCILLC is an Equal Opportunity/Affirmative Action Employer.

PUBLICATION ORDERING INFORMATION

Literature Fulfillment:

Literature Distribution Center for ON Semiconductor
P.O. Box 5163, Denver, Colorado 80217 USA
Phone: 303-675-2175 or 800-344-3860 Toll Free USA/Canada
Fax: 303-675-2176 or 800-344-3867 Toll Free USA/Canada
Email: ONlit@hibbertco.com

N. American Technical Support: 800-282-9855 Toll Free USA/Canada

JAPAN: ON Semiconductor, Japan Customer Focus Center
2-9-1 Kamimeguro, Meguro-ku, Tokyo, Japan 153-0051
Phone: 81-3-5773-3850

ON Semiconductor Website: <http://onsemi.com>

For additional information, please contact your local Sales Representative.

Copyright © Each Manufacturing Company.

All Datasheets cannot be modified without permission.

This datasheet has been download from :

www.AllDataSheet.com

100% Free DataSheet Search Site.

Free Download.

No Register.

Fast Search System.

www.AllDataSheet.com