

# PN268-(NC)

## Darlington Phototransistor

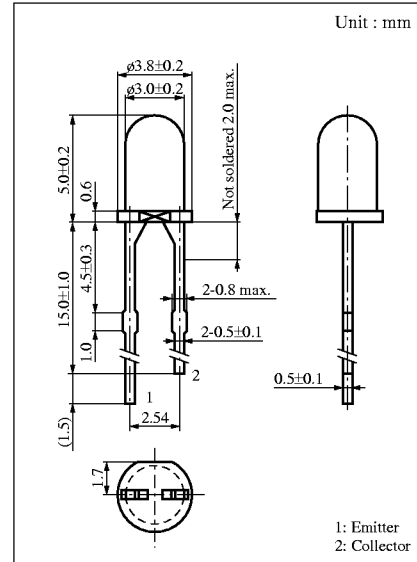
For optical control systems

### ■ Features

- Darlington output, high sensitivity
- Easy to combine with red and infrared light emitting diodes
- $\phi$  3 plastic package

### ■ Absolute Maximum Ratings (Ta = 25°C)

Parameter	Symbol	Ratings	Unit
Collector to emitter voltage	$V_{CEO}$	20	V
Emitter to collector voltage	$V_{ECO}$	5	V
Collector current	$I_C$	30	mA
Collector power dissipation	$P_C$	100	mW
Operating ambient temperature	$T_{opr}$	-25 to +80	°C
Storage temperature	$T_{stg}$	-30 to +100	°C

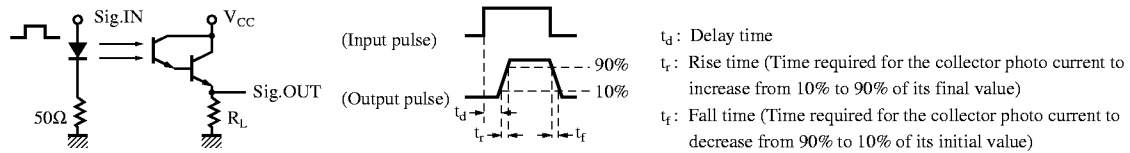


### ■ Electro-Optical Characteristics (Ta = 25°C)

Parameter	Symbol	Conditions	min	typ	max	Unit
Dark current	$I_{CEO}$	$V_{CE} = 10V$			0.5	$\mu A$
Collector photo current	$I_{CE(L)}^{*3}$	$V_{CE} = 10V, L = 2 lx^{*1}$	0.05		1.5	mA
Peak sensitivity wavelength	$\lambda_p$	$V_{CE} = 10V$		850		nm
Acceptance half angle	$\theta$	Measured from the optical axis to the half power point		30		deg.
Response time	$t_r, t_f^{*2}$	$V_{CC} = 10V, I_{CE(L)} = 1mA, R_L = 100\Omega$		150		$\mu s$
Collector saturation voltage	$V_{CE(sat)}$	$I_{CE(L)} = 1mA, L = 100 lx^{*1}$		0.7	1.5	V

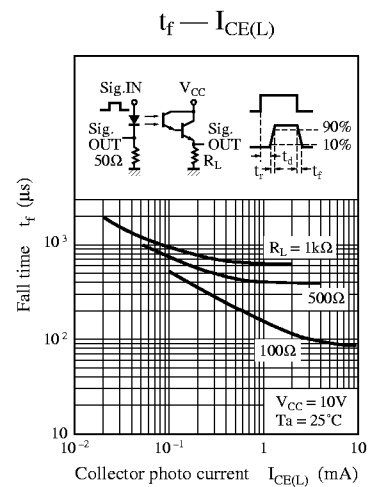
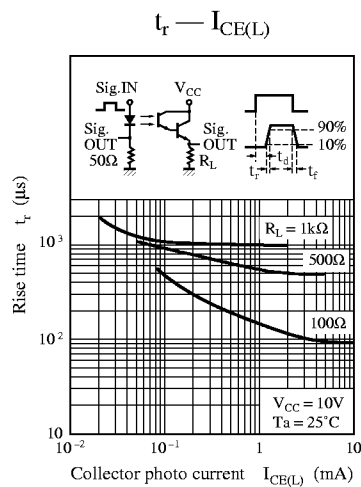
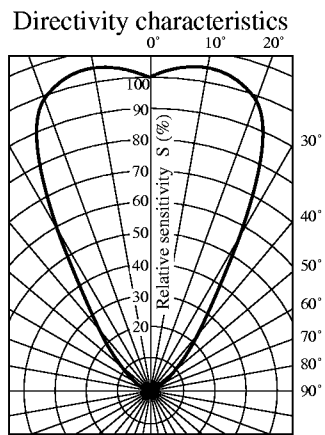
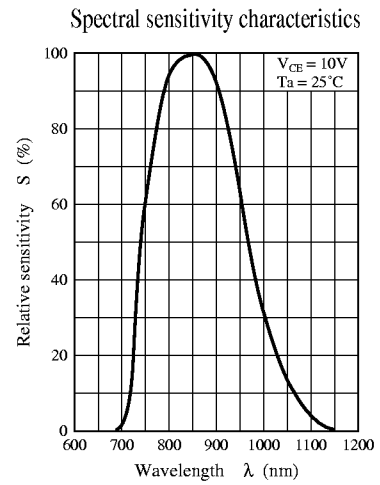
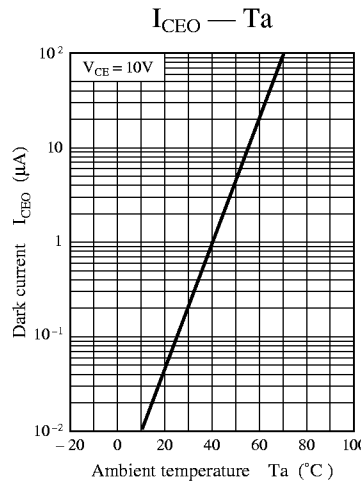
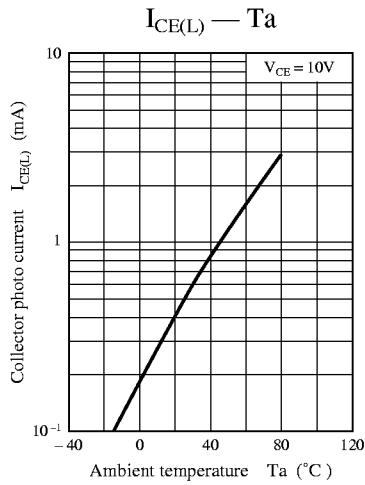
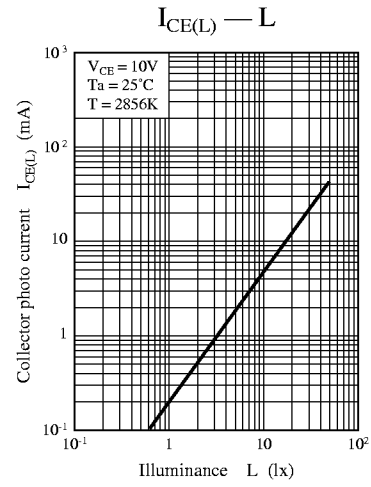
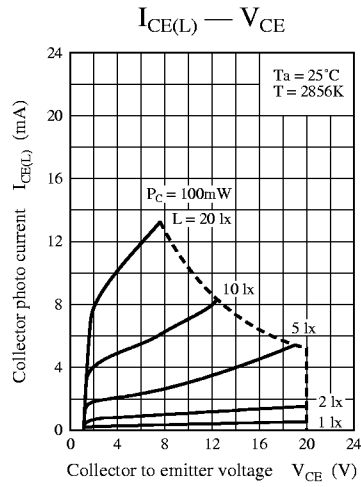
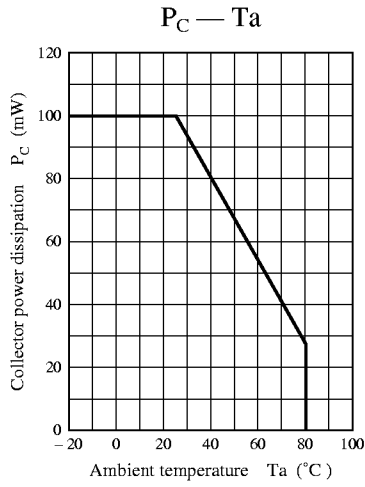
\*1 Measurements were made using a tungsten lamp (color temperature T = 2856K) as a light source.

\*2 Switching time measurement circuit



\*3  $I_{CE(L)}$  Classifications

Class	Q	R	S
$I_{CE(L)}$ (mA)	0.05 to 0.25	0.18 to 0.8	0.7 to 1.5



Copyright © Each Manufacturing Company.

All Datasheets cannot be modified without permission.

This datasheet has been download from :

[www.AllDataSheet.com](http://www.AllDataSheet.com)

100% Free DataSheet Search Site.

Free Download.

No Register.

Fast Search System.

[www.AllDataSheet.com](http://www.AllDataSheet.com)