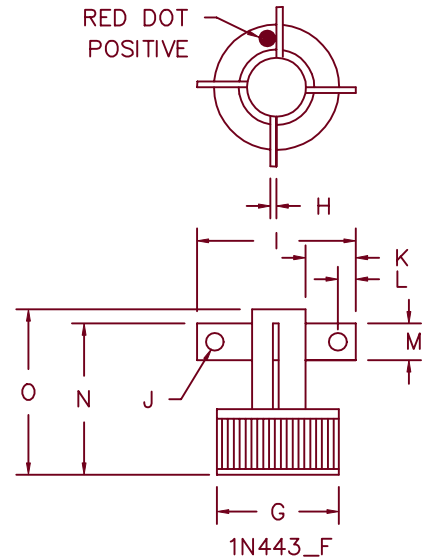
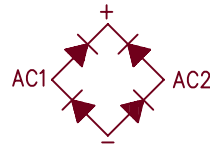
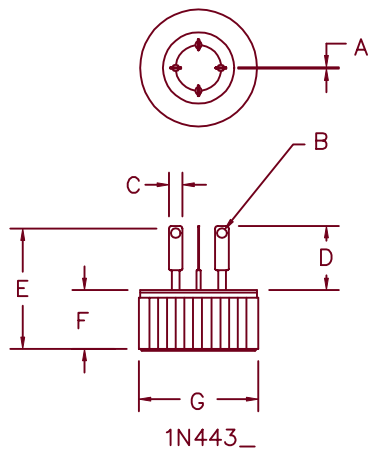
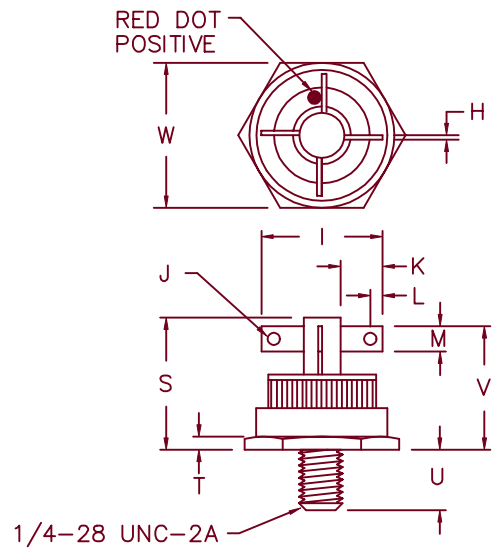
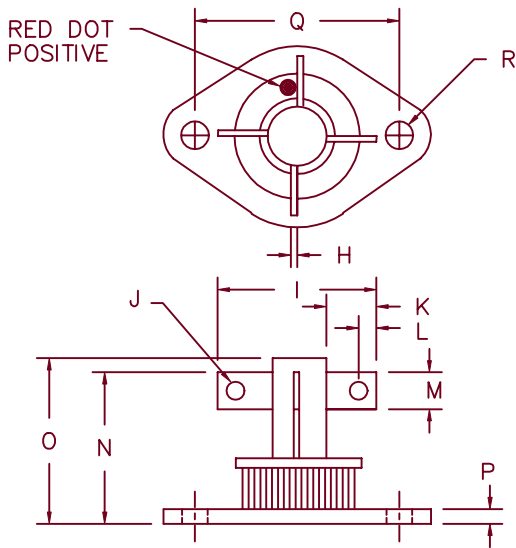


Single Phase Bridge Rectifier 1N4436 — 1N4438



Note: Electrically Isolated



1N443_FT ← For Parts w/o Flags Delete F → 1N443_FS

Dim.	Inches		Millimeter		Notes
	Minimum	Maximum	Minimum	Maximum	
A	.018	.028	0.46	0.71	
B	---	.070 typ.	---	---	Dia.
C	---	.125 typ.	---	---	
D	.290	.330	7.37	8.38	
E	---	.825	---	20.95	
F	.390	.420	9.90	10.67	
G	.751	.755	19.07	19.18	
H	---	.032 typ.	---	---	
I	---	1.0	---	25.4	
J	---	.11 typ.	---	---	Dia.
K	.250	---	6.35	---	

Dim.	Inches		Millimeter		Notes
	Minimum	Maximum	Minimum	Maximum	
L	---	.125 Typ.	---	---	
M	---	.187 Typ.	---	---	
N	---	.830	---	21.08	
O	---	.930	---	23.62	
P	---	.135	---	3.43	
Q	1.177	1.197	29.90	30.40	
R	.151	.161	3.84	4.10	Dia.
S	---	1.20	---	30.48	
T	---	.125 typ.	---	---	
U	.340	.400	8.64	10.16	
V	---	1.10	---	27.94	
W	---	.875	---	22.83	

1N4436 – 1N4438

Microsemi Catalog Number	Repetitive Peak Reverse Voltage
1N4436	200V
1N4437	400V
1N4438	600V

- Glass Passivated Die
- Hermetically sealed
- Soft Recovery
- 160°C Junction temperature
- 2000VDC Isolation voltage

Electrical Characteristics		
DC forward current output	I_o 10A	$T_c = 100^\circ\text{C}$, $R_{\theta JC} = 1.5^\circ\text{C/W}$
Maximum Surge Current	I_{FSM} 100 Amps	
Maximum I^2t For Fusing	I^2t 40A ² s	
Max. Peak Forward Voltage per leg	V_{FM} 1.2 Volts	$I_{FM} = 10\text{A}$; $T_J = 25^\circ\text{C}$
Max. Peak Reverse Current	I_{RM} 10 μA	V_{RRM} , $T_J = 25^\circ\text{C}$
Max. Peak Reverse Current	I_{RM} 1.0 mA	V_{RRM} , $T_J = 150^\circ\text{C}$

Thermal and Mechanical Characteristics		
Storage temp range	$T_{STG, TOP}$	-65°C to $+160^\circ\text{C}$
Max thermal resistance	$R_{\theta JC}$	1.5°C/W junction to case

1N4436-1N4438

Figure 1
Typical Forward Characteristics

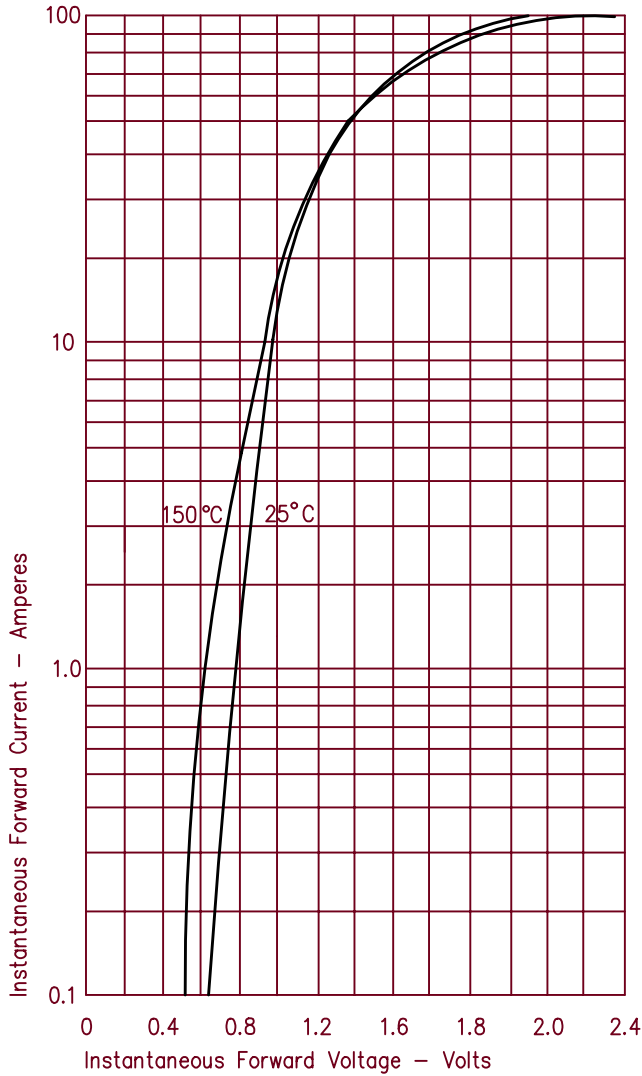


Figure 3
Forward Current Derating

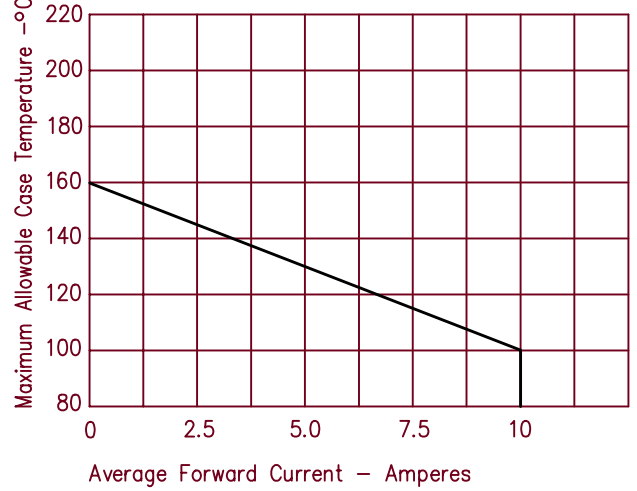
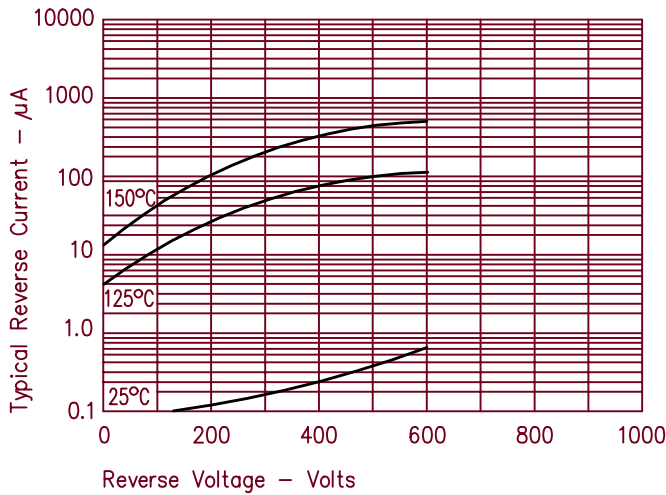


Figure 2
Typical Reverse Characteristics



Copyright © Each Manufacturing Company.

All Datasheets cannot be modified without permission.

This datasheet has been download from :

www.AllDataSheet.com

100% Free DataSheet Search Site.

Free Download.

No Register.

Fast Search System.

www.AllDataSheet.com