

Features

- 1.65V - 1.95V Read/Write
- High Performance
 - Random Access Time – 70 ns
 - Page Mode Read Time – 20 ns
 - Synchronous Burst Frequency – 66 MHz
 - Configurable Burst Operation
- Sector Erase Architecture
 - Eight 4K Word Sectors with Individual Write Lockout
 - One Hundred Twenty-seven 32K Word Main Sectors with Individual Write Lockout
- Typical Sector Erase Time: 32K Word Sectors – 700 ms; 4K Word Sectors – 200 ms
- Four Plane Organization, Permitting Concurrent Read in Any of the Three Planes not Being Programmed/Erased
 - Memory Plane A: 25% of Memory Including Eight 4K Word Sectors
 - Memory Plane B: 25% of Memory Consisting of 32K Word Sectors
 - Memory Plane C: 25% of Memory Consisting of 32K Word Sectors
 - Memory Plane D: 25% of Memory Consisting of 32K Word Sectors
- Suspend/Resume Feature for Erase and Program
 - Supports Reading and Programming Data from Any Sector by Suspending Erase of a Different Sector
 - Supports Reading Any Word by Suspending Programming of Any Other Word
- Low-power Operation
 - 30 mA Active
 - 35 μ A Standby
- VPP Pin for Write Protection and Accelerated Program Operations
- $\overline{\text{RESET}}$ Input for Device Initialization
- CBGA Package
- Top or Bottom Boot Block Configuration Available
- 128-bit Protection Register
- Common Flash Interface (CFI)

1. Description

The AT49SN6416(T) is a 1.8-volt 64-megabit Flash memory. The memory is divided into multiple sectors and planes for erase operations. The device can be read or reprogrammed off a single 1.8V power supply, making it ideally suited for In-System programming. The device can be configured to operate in the asynchronous/page read (default mode) or burst read mode. The burst read mode is used to achieve a faster data rate than is possible in the asynchronous/page read mode. If the $\overline{\text{AVD}}$ and the CLK signals are both tied to GND and the burst configuration register is configured to perform asynchronous reads, the device will behave like a standard asynchronous Flash memory. In the page mode, the $\overline{\text{AVD}}$ signal can be tied to GND or can be pulsed low to latch the page address. In both cases the CLK can be tied to GND.

The AT49SN6416(T) is divided into four memory planes. A read operation can occur in any of the three planes which is not being programmed or erased. This concurrent operation allows improved system performance by not requiring the system to wait for a program or erase operation to complete before a read is performed. To further increase the flexibility of the device, it contains an Erase Suspend and Program Suspend feature. This feature will put the erase or program on hold for any amount of



**64-megabit
(4M x 16)
Burst/Page
Mode 1.8-volt
Flash Memory**

**AT49SN6416
AT49SN6416T**



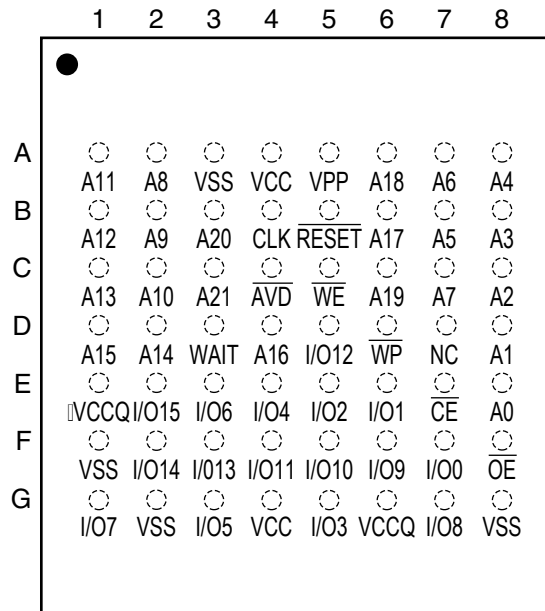
time and let the user read data from or program data to any of the remaining sectors. There is no reason to suspend the erase or program operation if the data to be read is in another memory plane.

The VPP pin provides data protection and faster programming times. When the V_{PP} input is below 0.4V, the program and erase functions are inhibited. When V_{PP} is at 0.9V or above, normal program and erase operations can be performed. With V_{PP} at 10.0V, the program (Dual-word Program command) operation is accelerated.

2. Pin Configurations

Pin Name	Pin Function
I/O0 - I/O15	Data Inputs/Outputs
A0 - A21	Addresses
$\overline{\text{CE}}$	Chip Enable
$\overline{\text{OE}}$	Output Enable
$\overline{\text{WE}}$	Write Enable
$\overline{\text{AVD}}$	Address Latch Enable
CLK	Clock
$\overline{\text{RESET}}$	Reset
$\overline{\text{WP}}$	Write Protect
VPP	Write Protection and Power Supply for Accelerated Program Operations
WAIT	WAIT
VCCQ	Output Power Supply
NC	No Connect

2.1 56-ball CBGA (Top View)



3. Device Operation

3.1 Command Sequences

When the device is first powered on, it will be in the read mode. Command sequences are used to place the device in other operating modes such as program and erase. The command sequences are written by applying a low pulse on the \overline{WE} input with \overline{CE} low and \overline{OE} high or by applying a low-going pulse on the \overline{CE} input with \overline{WE} low and \overline{OE} high. Prior to the low-going pulse on the \overline{CE} or \overline{WE} signal, the address input may be latched by a low-to-high transition on the \overline{AVD} signal. If the \overline{AVD} is not pulsed low, the address will be latched on the first rising edge of the \overline{WE} or \overline{CE} . Valid data is latched on the rising edge of the \overline{WE} or the \overline{CE} pulse, whichever occurs first. The addresses used in the command sequences are not affected by entering the command sequences.

3.2 Burst Configuration Command

The Program Burst Configuration Register command is used to program the burst configuration register. The burst configuration register determines several parameters that control the read operation of the device. Bit B15 determines whether synchronous burst reads are enabled or asynchronous reads are enabled. Since the page read operation is an asynchronous operation, bit B15 must be set for asynchronous reads to enable the page read feature. The rest of the bits in the burst configuration register are used only for the burst read mode. Bits B13 - B11 of the burst configuration register determine the clock latency for the burst mode. The latency can be set to two, three, four, five or six cycles. The “[Clock Latency versus Input Clock Frequency](#)” table is shown on [page 21](#). The “[Burst Read Waveform](#)” as shown on [page 32](#) illustrates a clock latency of four; the data is output from the device four clock cycles after the first valid clock edge following the high-to-low \overline{AVD} edge. The B10 bit of the configuration register determines the polarity of the WAIT signal. The B9 bit of the burst configuration register determines the number of clocks that data will be held valid (see [Figure 8-1](#)). The Hold Data for 2 Clock Cycles Read Waveform is shown on [page 32](#). The clock latency is not affected by the value of the B9 bit. The B8 bit of the burst configuration register determines when the WAIT signal will be asserted. When synchronous burst reads are enabled, a linear burst sequence is selected by setting bit B7. Bit B6 selects whether the burst starts and the data output will be relative to the falling edge or the rising edge of the clock. Bits B2 - B0 of the burst configuration register determine whether a continuous or fixed-length burst will be used and also determine whether a four-, eight- or sixteen-word length will be used in the fixed-length mode. All other bits in the burst configuration register should be programmed as shown on [page 21](#). The default state (after power-up or reset) of the burst configuration register is also shown on [page 21](#).

3.3 Asynchronous Read

There are two types of asynchronous reads – \overline{AVD} pulsed and standard asynchronous reads. The \overline{AVD} pulsed read operation of the device is controlled by \overline{CE} , \overline{OE} , and \overline{AVD} inputs. The outputs are put in the high-impedance state whenever \overline{CE} or \overline{OE} is high. This dual-line control gives designers flexibility in preventing bus contention. The data at the address location defined by A0 - A21 and captured by the \overline{AVD} signal will be read when \overline{CE} and \overline{OE} are low. The address location passes into the device when \overline{CE} and \overline{AVD} are low; the address is latched on the low-to-high transition of \overline{AVD} . Low input levels on the \overline{OE} and \overline{CE} pins allow the data to be driven out of the device. The access time is measured from stable address, falling edge of \overline{AVD} or falling edge of \overline{CE} , whichever occurs last. During the \overline{AVD} pulsed read, the CLK signal may be static high or static low. For standard asynchronous reads, the \overline{AVD} and CLK signal should be tied to GND. The asynchronous read diagrams are shown on [page 29](#).

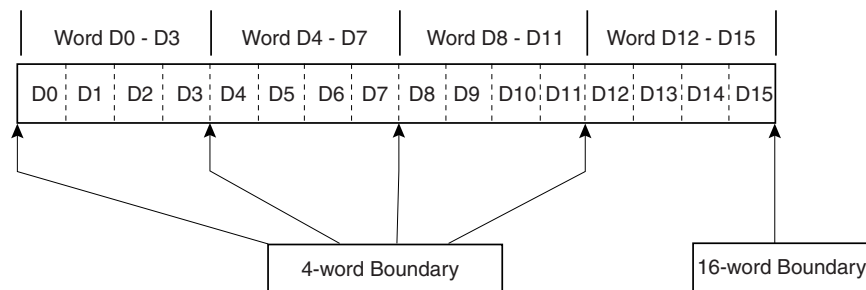
3.4 Page Read

The page read operation of the device is controlled by \overline{CE} , \overline{OE} , and \overline{AVD} inputs. The CLK input is ignored during a page read operation and should be tied to GND. The page size is four words. During a page read, the \overline{AVD} signal can transition low and then transition high, transition low and remain low, or can be tied to GND. If a high to low transition on the \overline{AVD} signal occurs, as shown in Page Read Cycle Waveform 1, the page address is latched by the low-to-high transition of the \overline{AVD} signal. However, if the \overline{AVD} signal remains low after the high-to-low transition or if the \overline{AVD} signal is tied to GND, as shown in Page Read Cycle Waveform 2, then the page address (determined by A21 - A2) cannot change during a page read operation. The first word access of the page read is the same as the asynchronous read. The first word is read at an asynchronous speed of 70 ns. Once the first word is read, toggling A0 and A1 will result in subsequent reads within the page being output at a speed of 20 ns. If the \overline{AVD} and the CLK pins are both tied to GND, the device will behave like a standard asynchronous Flash memory. The page read diagrams are shown on [page 30](#).

3.5 Synchronous Reads

Synchronous reads are used to achieve a faster data rate than is possible in the asynchronous/page read mode. The device can be configured for continuous or fixed-length burst access. The burst read operation of the device is controlled by \overline{CE} , \overline{OE} , CLK and \overline{AVD} inputs. The initial read location is determined as for the \overline{AVD} pulsed asynchronous read operation; it can be any memory location in the device. In the burst access, the address is latched on the first valid clock edge when \overline{AVD} is low or the rising edge of the \overline{AVD} signal, whichever occurs first. The CLK input signal controls the flow of data from the device for a burst operation. After the clock latency cycles, the data at the next burst address location is read for each following clock cycle.

Figure 3-1. Word Boundary



3.6 Continuous Burst Read

During a continuous burst read, any number of addresses can be read from the memory. When operating in the linear burst read mode (B7 = 1) with the burst wrap bit (B3 = 1) set, the device may incur an output delay when the burst sequence crosses the first 16-word boundary in the memory (see Figure 3-1). If the starting address is aligned with a 4-word boundary (D0, D4, D8 or D12), there is no delay. If the starting address is not aligned with a 4-word boundary, an output delay is incurred. The delay depends on the starting address (see Table 3-1). The delay takes place only once, and only if the burst sequence crosses a 16-word boundary. To indicate that the device is not ready to continue the burst, the device will drive the WAIT pin low (B10 and B8 = 0) during the clock cycles in which new data is not being presented. Once the WAIT pin is driven high (B10 and B8 = 0), the current data will be valid. The WAIT signal will be tri-stated when the \overline{CE} or \overline{OE} signal is high.

Table 3-1. Output Delay

Starting Address	Output Delay Hold Data for 1 Clock Cycle, B9 = 0	Output Delay Hold Data for 2 Clock Cycles, B9 = 1
D1, D5, D9, D13	1 Clock Cycle	2 Clock Cycle
D2, D6, D10, D14	2 Clock Cycles	4 Clock Cycles
D3, D7, D11, D15	3 Clock Cycles	6 Clock Cycles

In the “Burst Read Waveform” as shown on page 32, the valid address is latched at point A. For the specified clock latency of four, data D11 is valid within 13 ns of clock edge B. The low-to-high transition of the clock at point C results in D12 being read. The transition of the clock at point D results in a burst read of D15. The clock transition at point E does not cause new data to appear on the output lines because the WAIT signal goes low (B10 and B8 = 0) after the clock transition, which signifies that the first boundary in the memory has been crossed and that new data is not available. The clock transition at point F does cause a burst read of data D16 because the WAIT signal goes high (B10 and B8 = 0) after the clock transition indicating that new data is available. Additional clock transitions, like at point G, will continue to result in burst reads.

3.7 Fixed-length Burst Reads

During a fixed-length burst mode read, four, eight or sixteen words of data may be burst from the device, depending upon the configuration. The device supports a linear burst mode. The burst sequence is shown on page 22. When operating in the linear burst read mode (B7 = 1) with the burst wrap bit (B3 = 1) set, the device may incur an output delay when the burst sequence crosses the first 16-word boundary in the memory. If the starting address is aligned with a 4-word boundary (D0, D4, D8 or D12), there is no delay. If the starting address is not aligned with a 4-word boundary an output delay is incurred. The delay depends on the starting address (see Table 3-1). The delay takes place only once, and only if the burst sequence crosses a 16-word boundary. To indicate that the device is not ready to continue the burst, the device will drive the WAIT pin low (B10 and B8 = 0) during the clock cycles in which new data is not being presented. Once the WAIT pin is driven high (B10 and B8 = 0), the current data will be valid. The WAIT signal will be tri-stated when the \overline{CE} or \overline{OE} signal is high.

The “Four-word Burst Read Waveform” on page 33 illustrates a fixed-length burst cycle. The valid address is latched at point A. For the specified clock latency of four, data D0 is valid within 13 ns of clock edge B. The low-to-high transition of the clock at point C results in D1 being read. Similarly, D2 and D3 are output following the next two clock cycles. Returning \overline{CE} high ends the read cycle. There is no output delay in the burst access wrap mode (B3 = 0).

3.8 Burst Suspend

The Burst Suspend feature allows the system to temporarily suspend a synchronous burst operation if the system needs to use the Flash address and data bus for other purposes. Burst accesses can be suspended during the initial latency (before data is received) or after the device has output data. When a burst access is suspended, internal array sensing continues and any previously latched internal data is retained.

Burst Suspend occurs when \overline{CE} is asserted, the current address has been latched (either rising edge of \overline{AVD} or valid CLK edge), CLK is halted, and \overline{OE} is deasserted. The CLK can be halted when it is at V_{IH} or V_{IL} . To resume the burst access, \overline{OE} is reasserted and the CLK is restarted. Subsequent CLK edges resume the burst sequence where it left off.

Within the device, \overline{OE} gates the WAIT signal. Therefore, during Burst Suspend the WAIT signal reverts to a high-impedance state when \overline{OE} is deasserted. See “Burst Suspend Waveform” on page 33.

3.9 Reset

A \overline{RESET} input pin is provided to ease some system applications. When \overline{RESET} is at a logic high level, the device is in its standard operating mode. A low level on the \overline{RESET} pin halts the present device operation and puts the outputs of the device in a high-impedance state. When a high level is reasserted on the \overline{RESET} pin, the device returns to read mode.

3.10 Erase

Before a word can be reprogrammed it must be erased. The erased state of the memory bits is a logical “1”. The entire memory can be erased by using the Chip Erase command or individual planes can be erased by using the Plane Erase command or individual sectors can be erased by using the Sector Erase command.

3.10.1 Chip Erase

Chip Erase is a two-bus cycle operation. The automatic erase begins on the rising edge of the last \overline{WE} pulse. Chip Erase does not alter the data of the protected sectors. The hardware reset during chip erase will stop the erase, but the data will be of an unknown state.

3.10.2 Plane Erase

As an alternative to a full Chip Erase, the device is organized into four planes that can be individually erased. The Plane Erase command is a two-bus cycle operation. The plane whose address is valid at the second rising edge of \overline{WE} will be erased. The Plane Erase command does not alter the data in the protected sectors.

3.10.3 Sector Erase

The device is organized into multiple sectors that can be individually erased. The Sector Erase command is a two-bus cycle operation. The sector whose address is valid at the second rising edge of \overline{WE} will be erased provided the given sector has not been protected.

3.11 Word Programming

The device is programmed on a word-by-word basis. Programming is accomplished via the internal device command register and is a two-bus cycle operation. The programming address and data are latched in the second cycle. The device will automatically generate the required internal programming pulses. Please note that a “0” cannot be programmed back to a “1”; only erase operations can convert “0”s to “1”s.

3.12 Flexible Sector Protection

The AT49SN6416(T) offers two sector protection modes, the Softlock and the Hardlock. The Softlock mode is optimized as sector protection for sectors whose content changes frequently. The Hardlock protection mode is recommended for sectors whose content changes infrequently. Once either of these two modes is enabled, the contents of the selected sector is read-only and cannot be erased or programmed. Each sector can be independently programmed for either the Softlock or Hardlock sector protection mode. At power-up and reset, all sectors have their Softlock protection mode enabled.

3.12.1 Softlock and Unlock

The Softlock protection mode can be disabled by issuing a two-bus cycle Unlock command to the selected sector. Once a sector is unlocked, its contents can be erased or programmed. To enable the Softlock protection mode, a two-bus cycle Softlock command must be issued to the selected sector.

3.12.2 Hardlock and Write Protect (\overline{WP})

The Hardlock sector protection mode operates in conjunction with the Write Protection (\overline{WP}) pin. The Hardlock sector protection mode can be enabled by issuing a two-bus cycle Hardlock software command to the selected sector. The state of the Write Protect pin affects whether the Hardlock protection mode can be overridden.

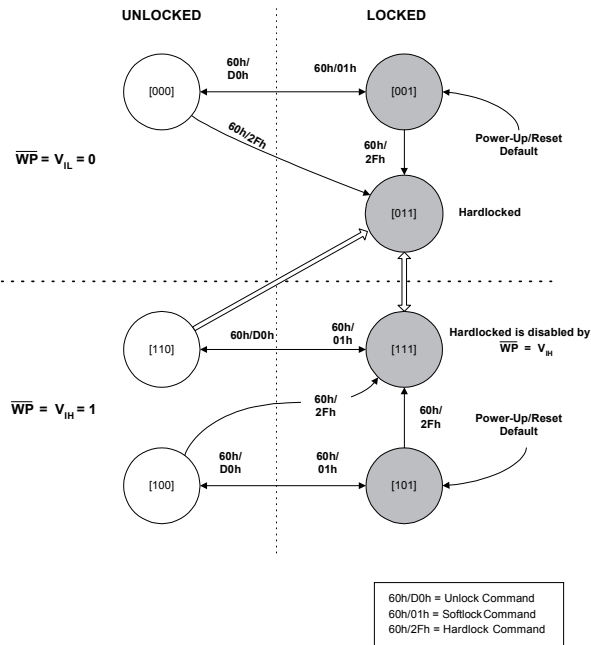
- When the \overline{WP} pin is low and the Hardlock protection mode is enabled, the sector cannot be unlocked and the contents of the sector is read-only.
- When the \overline{WP} pin is high, the Hardlock protection mode is overridden and the sector can be unlocked via the Unlock command.

To disable the Hardlock sector protection mode, the chip must be either reset or power cycled.

Table 3-2. Hardlock and Softlock Protection Configurations in Conjunction with \overline{WP}

V_{PP}	\overline{WP}	Hard-lock	Soft-lock	Erase/Prog Allowed?	Comments
V_{CC}	0	0	0	Yes	No sector is locked
V_{CC}	0	0	1	No	Sector is Softlocked. The Unlock command can unlock the sector.
V_{CC}	0	1	1	No	Hardlock protection mode is enabled. The sector cannot be unlocked.
V_{CC}	1	0	0	Yes	No sector is locked.
V_{CC}	1	0	1	No	Sector is Softlocked. The Unlock command can unlock the sector.
V_{CC}	1	1	0	Yes	Hardlock protection mode is overridden and the sector is not locked.
V_{CC}	1	1	1	No	Hardlock protection mode is overridden and the sector can be unlocked via the Unlock command.
V_{IL}	x	x	x	No	Erase and Program Operations cannot be performed.

Figure 3-2. Sector Locking State Diagram



Note: 1. The notation [X, Y, Z] denotes the locking state of a sector. The current locking state of a sector is defined by the state of \overline{WP} and the two bits of the sector-lock status D[1:0].

3.12.3 Sector Protection Detection

A software method is available to determine if the sector protection Softlock or Hardlock features are enabled. When the device is in the software product identification mode a read from the I/O0 and I/O1 at address location 00002H within a sector will show if the sector is unlocked, soft-locked, or hardlocked.

Table 3-3. Sector Protection Status

I/O1	I/O0	Sector Protection Status
0	0	Sector Not Locked
0	1	Softlock Enabled
1	0	Hardlock Enabled
1	1	Both Hardlock and Softlock Enabled

3.13 Read Status Register

The status register indicates the status of device operations and the success/failure of that operation. The Read Status Register command causes subsequent reads to output data from the status register until another command is issued. To return to reading from the memory, issue a Read command.

The status register bits are output on I/O7 - I/O0. The upper byte, I/O15 - I/O8, outputs 00H when a Read Status Register command is issued.

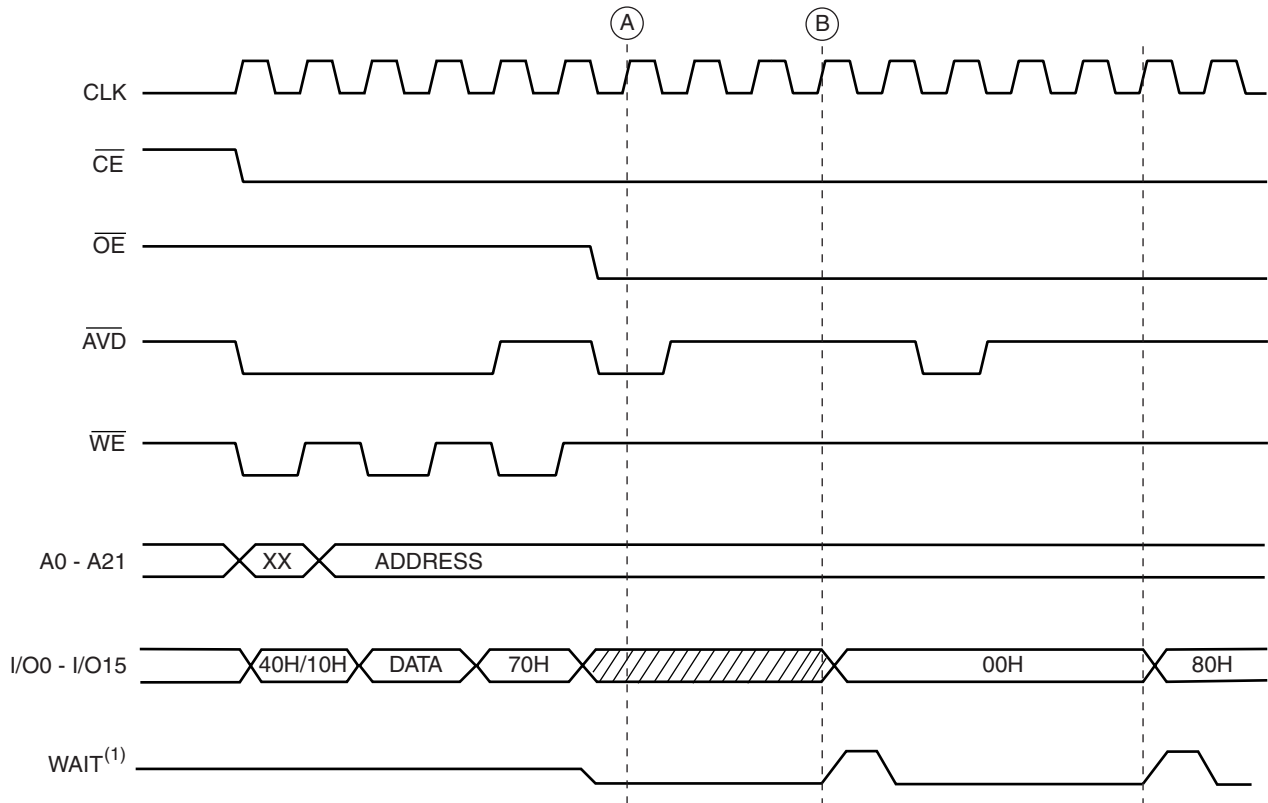
The contents of the status register [SR7:SR0] are latched on the falling edge of \overline{OE} or \overline{CE} (whichever occurs last), which prevents possible bus errors that might occur if status register contents change while being read. \overline{CE} or \overline{OE} must be toggled with each subsequent status read, or the status register will not indicate completion of a Program or Erase operation.

When the Write State Machine (WSM) is active, SR7 will indicate the status of the WSM; the remaining bits in the status register indicate whether the WSM was successful in performing the preferred operation (see [Table 3-4](#)).

3.14 Read Status Register In The Burst Mode

The waveform below shows a status register read during a program operation. The two-bus cycle command for a program operation is given followed by a read status register command. Following the read status register command, the $\overline{\text{AVD}}$ signal is pulsed low to latch the valid address at point A. With the $\overline{\text{OE}}$ signal pulsed low and for the specified clock latency of three, the status register output is valid within 13 ns from clock edge B. The same status register data is output on successive clock edges. To update the status register output, the $\overline{\text{AVD}}$ signal needs to be pulsed low and the next data is available after a clock latency of three. The status register output is also available after the chosen clock latency during an erase operation.

Figure 3-3. Read Status Register in the Burst Mode



Note: 1. The WAIT signal is for a burst configuration setting of B10 and B8 = 0.

Table 3-4. Status Register Bit Definition

WSMS	ESS	ES	PRS	VPPS	PSS	SLS	PLS
7	6	5	4	3	2	1	0
				Notes			
SR7 WRITE STATE MACHINE STATUS (WSMS) 1 = Ready 0 = Busy				Check Write State Machine bit first to determine Word Program or Sector Erase completion, before checking program or erase status bits.			
SR6 = ERASE SUSPEND STATUS (ESS) 1 = Erase Suspended 0 = Erase In Progress/Completed				When Erase Suspend is issued, WSM halts execution and sets both WSMS and ESS bits to "1" – ESS bit remains set to "1" until an Erase Resume command is issued.			
SR5 = ERASE STATUS (ES) 1 = Error in Sector Erase 0 = Successful Sector Erase				When this bit is set to "1", WSM has applied the max number of erase pulses to the sector and is still unable to verify successful sector erasure.			
SR4 = PROGRAM STATUS (PRS) 1 = Error in Programming 0 = Successful Programming				When this bit is set to "1", WSM has attempted but failed to program a word			
SR3 = VPP STATUS (VPPS) 1 = VPP Low Detect, Operation Abort 0 = VPP OK				The V _{PP} status bit does not provide continuous indication of VPP level. The WSM interrogates V _{PP} level only after the Program or Erase command sequences have been entered and informs the system if V _{PP} has not been switched on. The V _{PP} is also checked before the operation is verified by the WSM.			
SR2 = PROGRAM SUSPEND STATUS (PSS) 1 = Program Suspended 0 = Program in Progress/Completed				When Program Suspend is issued, WSM halts execution and sets both WSMS and PSS bits to "1". PSS bit remains set to "1" until a Program Resume command is issued.			
SR1 = SECTOR LOCK STATUS 1 = Prog/Erase attempted on a locked sector; Operation aborted. 0 = No operation to locked sectors				If a Program or Erase operation is attempted to one of the locked sectors, this bit is set by the WSM. The operation specified is aborted and the device is returned to read status mode.			
SR0 = Plane Status (PLS)				Indicates program or erase status of the addressed plane.			

Note: 1. A Command Sequence Error is indicated when SR1, SR3, SR4 and SR5 are set.

Table 3-5. Status Register Device WSMS and Write Status Definition

WSMS (SR7)	PLS (SR0)	Description
0	0	The addressed plane is performing a program/erase operation.
0	1	A plane other than the one currently addressed is performing a program/erase operation.
1	x	No program/erase operation is in progress in any plane. Erase and Program suspend bits (SR6, SR2) indicate whether other planes are suspended.

3.15 Erase Suspend/erase Resume

The Erase Suspend command allows the system to interrupt a sector erase or plane erase operation. The erase suspend command does not work with the Chip Erase feature. Using the erase suspend command to suspend a sector erase operation, the system can program or read data from a different sector within the same plane. Since this device is organized into four planes, there is no need to use the erase suspend feature while erasing a sector when you want to read data from a sector in another plane. After the Erase Suspend command is given, the device requires a maximum time of 15 μ s to suspend the erase operation. After the erase operation has been suspended, the plane that contains the suspended sector enters the erase-suspend-read mode. The system can then read data or program data to any other sector within the device. An address is not required during the Erase Suspend command. During a sector erase suspend, another sector cannot be erased. To resume the sector erase operation, the system must write the Erase Resume command. The Erase Resume command is a one-bus cycle command, which does require the plane address. Read, Read Status Register, Product ID Entry, Clear Status Register, Program, Program Suspend, Erase Resume, Sector Softlock/Hardlock, Sector Unlock are valid commands during an erase suspend.

3.16 Program Suspend/program Resume

The Program Suspend command allows the system to interrupt a programming operation and then read data from a different word within the memory. After the Program Suspend command is given, the device requires a maximum of 10 μ s to suspend the programming operation. After the programming operation has been suspended, the system can then read from any other word within the device. An address is not required during the program suspend operation. To resume the programming operation, the system must write the Program Resume command. The program suspend and resume are one-bus cycle commands. The command sequence for the erase suspend and program suspend are the same, and the command sequence for the erase resume and program resume are the same. Read, Read Status Register, Product ID Entry, Program Resume are valid commands during a Program Suspend.

3.17 128-bit Protection Register

The AT49SN6416(T) contains a 128-bit register that can be used for security purposes in system design. The protection register is divided into two 64-bit blocks. The two blocks are designated as block A and block B. The data in block A is non-changeable and is programmed at the factory with a unique number. The data in block B is programmed by the user and can be locked out such that data in the block cannot be reprogrammed. To program block B in the protection register, the two-bus cycle Program Protection Register command must be used as shown in the [“Command Definition Table” on page 19](#). To lock out block B, the two-bus cycle lock protection register command must be used as shown in the [“Command Definition Table”](#). Data bit D1 must be zero during the second bus cycle. All other data bits during the second bus cycle are don't cares. To determine whether block B is locked out, the status of sector B command is given. If data bit D1 is zero, block B is locked. If data bit D1 is one, block B can be reprogrammed. Please see the [“Protection Register Addressing Table” on page 20](#) for the address locations in the protection register. To read the protection register, the Product ID Entry command is given followed by a normal read operation from an address within the protection register. After determining whether block B is protected or not or reading the protection register, the Read command must be given to return to the read mode.

3.18 Common Flash Interface (CFI)

CFI is a published, standardized data structure that may be read from a flash device. CFI allows system software to query the installed device to determine the configurations, various electrical and timing parameters, and functions supported by the device. CFI is used to allow the system to learn how to interface to the flash device most optimally. The two primary benefits of using CFI are ease of upgrading and second source availability. The command to enter the CFI Query mode is a one-bus cycle command which requires writing data 98h to any address. The CFI Query command can be written when the device is ready to read data or can also be written when the part is in the product ID mode. Once in the CFI Query mode, the system can read CFI data at the addresses given in “[Common Flash Interface Definition Table](#)” on page 37. To return to the read mode, the read command should be issued.

3.19 Hardware Data Protection

Hardware features protect against inadvertent programs to the AT49SN6416(T) in the following ways: (a) V_{CC} sense: if V_{CC} is below 1.2V (typical), the device is reset and the program and erase functions are inhibited. (b) V_{CC} power-on delay: once V_{CC} has reached the V_{CC} sense level, the device will automatically time-out 10 ms (typical) before programming. (c) Program inhibit: holding any one of \overline{OE} low, \overline{CE} high or \overline{WE} high inhibits program cycles. (d) Noise filter: pulses of less than 15 ns (typical) on the \overline{WE} or \overline{CE} inputs will not initiate a program cycle. (e) V_{PP} is less than V_{ILPP} .

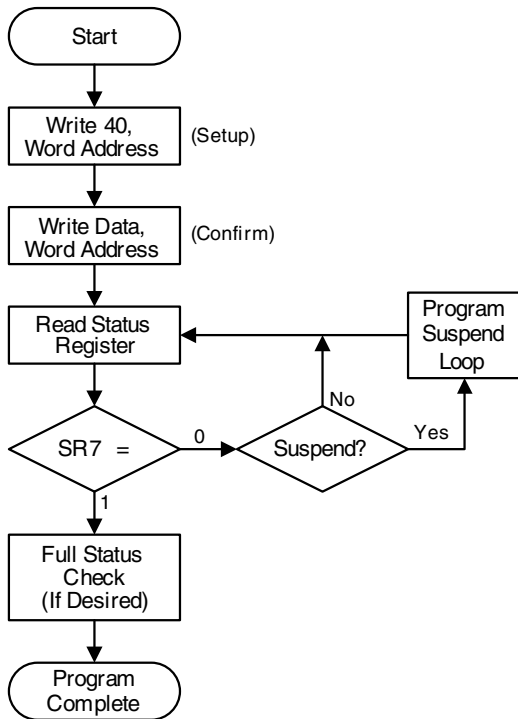
3.20 Input Levels

While operating with a 1.65V to 1.95V power supply, the address inputs and control inputs (\overline{OE} , \overline{CE} and \overline{WE}) may be driven from 0 to 2.5V without adversely affecting the operation of the device. The I/O lines can be driven from 0 to $V_{CCQ} + 0.6V$.

3.21 Output Levels

For the AT49SN6416(T), output high levels are equal to $V_{CCQ} - 0.1V$ (not V_{CC}). V_{CCQ} must be regulated between 1.65V - 2.25V.

3.22 Word Program Flowchart

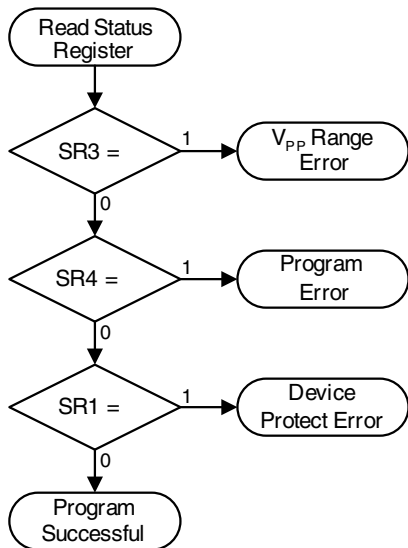


3.23 Word Program Procedure

Bus Operation	Command	Comments
Write	Program Setup	Data = 40 Addr = Location to program
Write	Data	Data = Data to program Addr = Location to program
Read	None	Status register data: Toggle \overline{CE} or \overline{OE} to update status register
Idle	None	Check SR7 1 = WSM Ready 0 = WSM Busy

Repeat for subsequent Word Program operations.
Full status register check can be done after each program, or after a sequence of program operations.
Write FF after the last operation to set to the Read state.

3.24 Full Status Check Flowchart

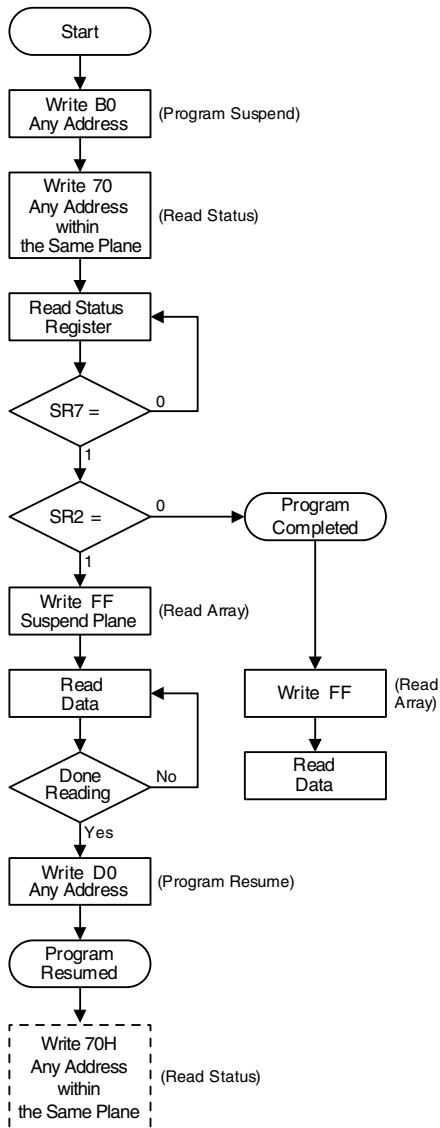


3.25 Full Status Check Procedure

Bus Operation	Command	Comments
Idle	None	Check SR3: 1 = V_{PP} Error
Idle	None	Check SR4: 1 = Data Program Error
Idle	None	Check SR1: 1 = Sector locked; operation aborted

SR3 MUST be cleared before the Write State Machine allows further program attempts.
If an error is detected, clear the status register before continuing operations – only the Clear Status Register command clears the status register error bits.

3.26 Program Suspend/Resume Flowchart



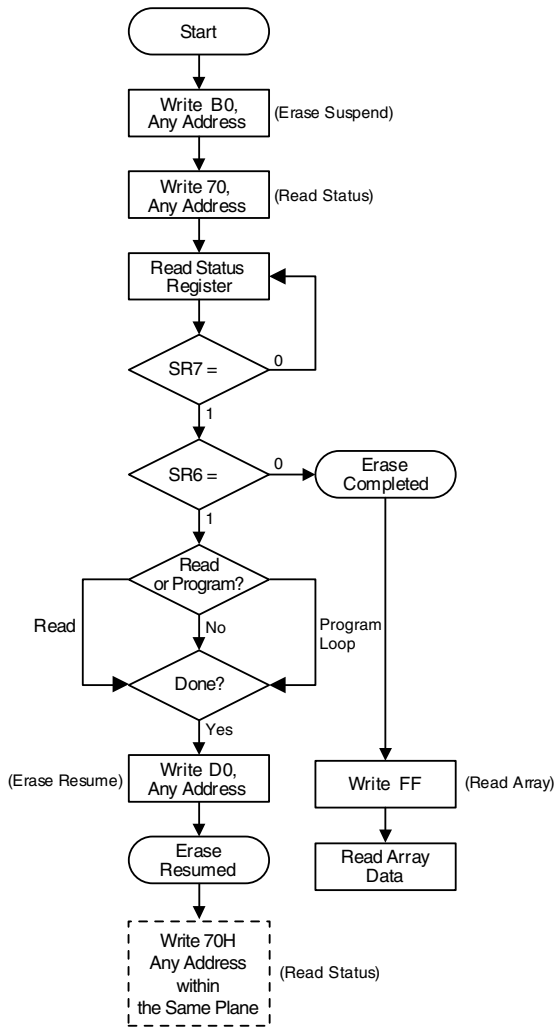
3.27 Program Suspend/Resume Procedure

Bus Operation	Command	Comments
Write	Program Suspend	Data = B0 Addr = Sector address to Suspend (SA)
Write	Read Status	Data = 70 Addr = Any address within the Same Plane
Read	None	Status register data: Toggle \overline{CE} or \overline{OE} to update status register Addr = Any address
Idle	None	Check SR7 1 = WSM Ready 0 = WSM Busy
Idle	None	Check SR2 1 = Program suspended 0 = Program completed
Write	Read Array	Data = FF Addr = Any address within the Suspended Plane
Read	None	Read data from any sector in the memory other than the one being programmed
Write	Program Resume	Data = D0 Addr = Any address

If the Suspend Plane was placed in Read mode:

Write	Read Status	Return Plane to Status mode: Data = 70 Addr = Any address within the Same Plane
-------	-------------	---------------------------------------------------------------------------------------

3.28 Erase Suspend/Resume Flowchart



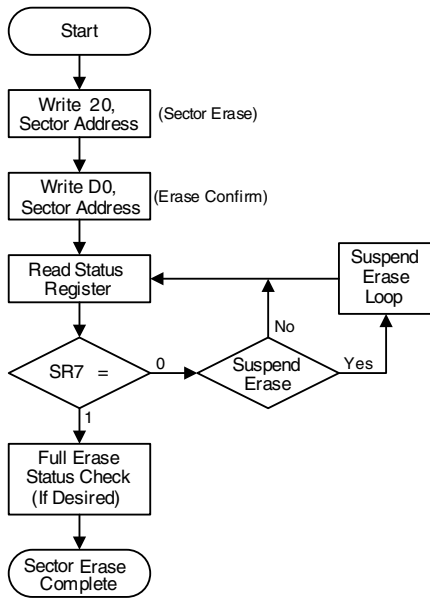
3.29 Erase Suspend/Resume Procedure

Bus Operation	Command	Comments
Write	Erase Suspend	Data = B0 Addr = Any address within the Same Plane
Write	Read Status	Data = 70 Addr = Any address
Read	None	Status register data: Toggle \overline{CE} or \overline{OE} to update status register Addr = Any address within the Same Plane
Idle	None	Check SR7 1 = WSM Ready 0 = WSM Busy
Idle	None	Check SR6 1 = Erase suspended 0 = Erase completed
Write	Read or Program	Data = FF or 40 Addr = Any address
Read or Write	None	Read or program data from/to sector other than the one being erased
Write	Program Resume	Data = D0 Addr = Any address

If the Suspended Plane was placed in Read mode or a Program loop:

Write	Read Status	Return Plane to Status mode: Data = 70 Addr = Any address within the Same Plane
-------	-------------	---------------------------------------------------------------------------------------

3.30 Sector Erase Flowchart

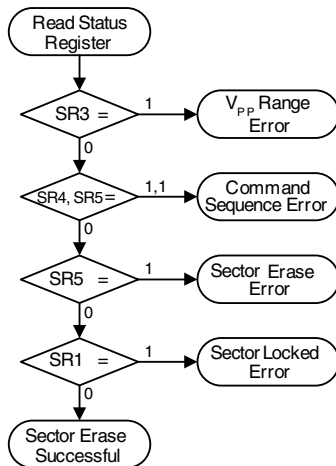


3.31 Sector Erase Procedure

Bus Operation	Command	Comments
Write	Sector Erase Setup	Data = 20 Addr = Sector to be erased (SA)
Write	Erase Confirm	Data = D0 Addr = Sector to be erased (SA)
Read	None	Status register data: Toggle \overline{CE} or \overline{OE} to update status register data
Idle	None	Check SR7 1 = WSMS Ready 0 = WSMS Busy

Repeat for subsequent sector erasures.
Full status register check can be done after each sector erase, or after a sequence of sector erasures.
Write FF after the last operation to enter read mode.

3.32 Full Erase Status Check Flowchart

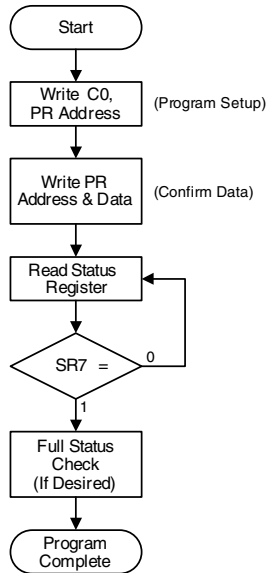


3.33 Full Erase Status Check Procedure

Bus Operation	Command	Comments
Idle	None	Check SR3: 1 = V _{PP} Range Error
Idle	None	Check SR4, SR5: Both 1 = Command Sequence Error
Idle	None	Check SR5: 1 = Sector Erase Error
Idle	None	Check SR1: 1 = Attempted erase of locked sector; erase aborted.

SR1, SR3 must be cleared before the Write State Machine allows further erase attempts.
Only the Clear Status Register command clears SR1, SR3, SR4, SR5.
If an error is detected, clear the status register before attempting an erase retry or other error recovery.

3.34 Protection Register Programming Flowchart

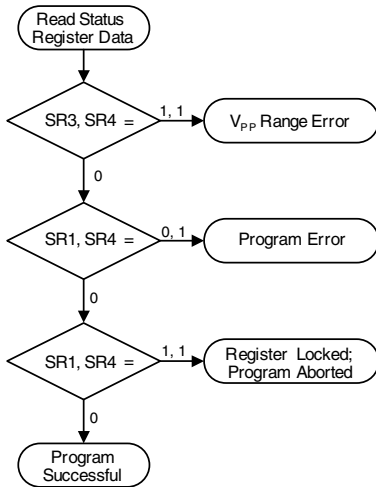


3.35 Protection Register Programming Procedure

Bus Operation	Command	Comments
Write	Program PR Setup	Data = C0 Addr = First Location to Program
Write	Protection Program	Data = Data to Program Addr = Location to Program
Read	None	Status register data: Toggle \overline{CE} or \overline{OE} to update status register data
Idle	None	Check SR7 1 = WSMS Ready 0 = WSMS Busy

Program Protection Register operation addresses must be within the protection register address space. Addresses outside this space will return an error.
Repeat for subsequent programming operations.
Full status register check can be done after each program, or after a sequence of program operations.
Write FF after the last operation to return to the Read mode.

3.36 Full Status Check Flowchart



3.37 Full Status Check Procedure

Bus Operation	Command	Comments
Idle	None	Check SR1, SR3, SR4: 0,1,1 = V_{PP} Range Error
Idle	None	Check SR1, SR3, SR4: 0,0,1 = Programming Error
Idle	None	Check SR1, SR3, SR4: 1, 0,1 = Sector locked; operation aborted

SR3 must be cleared before the Write State Machine allows further program attempts.
Only the Clear Status Register command clears SR1, SR3, SR4.
If an error is detected, clear the status register before attempting a program retry or other error recovery.

4. Command Definition Table

Command Sequence	Bus Cycles	1st Bus Cycle		2nd Bus Cycle		3rd Bus Cycle	
		Addr	Data	Addr	Data	Addr	Data
Read	1	PA ⁽²⁾	FF				
Chip Erase	2	XX	21	Addr	D ₀		
Plane Erase	2	XX	22	Addr	D ₀		
Sector Erase	2	SA ⁽³⁾	20	SA ⁽³⁾	D ₀		
Word Program	2	Addr ⁽⁴⁾	40/10	Addr ⁽⁴⁾	D _{IN}		
Dual Word Program ⁽¹⁰⁾	3	Addr0	E0	Addr0	D _{IN0}	Addr1	D _{IN1}
Erase/Program Suspend	1	XX	B0				
Erase/Program Resume	1	PA ⁽²⁾	D0				
Product ID Entry ⁽¹¹⁾⁽¹²⁾	1	PA ⁽²⁾	90				
Sector Softlock	2	SA ⁽³⁾	60	SA ⁽³⁾	01		
Sector Hardlock	2	SA ⁽³⁾	60	SA ⁽³⁾	2F		
Sector Unlock	2	SA ⁽³⁾	60	SA ⁽³⁾	D0		
Read Status Register	2	PA ⁽²⁾	70	XX	D _{OUT} ⁽⁵⁾		
Clear Status Register	1	XX	50				
Program Protection Register	2	XX ⁽⁹⁾	C0	XX ⁽⁹⁾	D _{IN}		
Lock Protection Register – Sector B	2	XXXX 80 ⁽¹³⁾	C0	XXXX 80 ⁽¹³⁾	FFFD		
Status of Sector B Protection	2	XXXX 80 ⁽¹³⁾	90	XXXX 80 ⁽¹³⁾	D _{OUT} ⁽⁶⁾		
Program Burst Configuration Register	2	Addr ⁽⁷⁾	60	Addr ⁽⁷⁾	03		
Read Burst Configuration Register	2	PA ⁽²⁾	90	XXX ⁽⁸⁾	D _{OUT}		
CFI Query	1	XX	98				

- Notes:
- The DATA FORMAT shown for each bus cycle is as follows; I/O7 - I/O0 (Hex). I/O15 - I/O8 are don't care. The ADDRESS FORMAT shown for each bus cycle is as follows: A7 - A0 (Hex). Address A21 through A8 are don't care.
 - PA is the plane address (A21 - A20). Any address within a plane can be used.
 - SA = sector address. Any word address within a sector can be used to designate the sector address (see pages 23 - 26 for details).
 - The first bus cycle address should be the same as the word address to be programmed.
 - The status register bits are output on I/O7 - I/O0.
 - If data bit D1 is "0", sector B is locked. If data bit D1 is "1", sector B can be reprogrammed.
 - See "Burst Configuration Register Table" on page 21. Bits B15 - B0 of the burst configuration register determine A15 - A0. Addresses A16 - A21 can select any plane.
 - For the AT49SN6416:
 - xxx = 000005 Burst Configuration Register Data from Plane A
 - xxx = 100005 Burst Configuration Register Data from Plane B
 - xxx = 200005 Burst Configuration Register Data from Plane C
 - xxx = 300005 Burst Configuration Register Data from Plane D
 For the AT49SN6416T:
 - xxx = 000005 Burst Configuration Register Data from Plane D
 - xxx = 100005 Burst Configuration Register Data from Plane C
 - xxx = 200005 Burst Configuration Register Data from Plane B
 - xxx = 300005 Burst Configuration Register Data from Plane A
 - Any address within the user programmable protection register region. Please see "Protection Register Addressing Table" on page 20.
 - This fast programming option enables the user to program two words in parallel only when V_{pp} = 10V. The addresses, Addr0 and Addr1, of the two words, D_{IN0} and D_{IN1}, must only differ in address A0. This command should be used during manufacturing purposes only.
 - During the second bus cycle, the manufacturer code is read from address PA+00000H, the device code is read from address PA+00001H, and the data in the protection register is read from addresses 000081H - 000088H (AT49SN6416) or addresses 3F8081H - 3F8088H (AT49SN6416T).
 - The plane address should be the same during the first and second bus cycle.
 - For the AT49SN6416, xxxx = 0000H. For the AT49SN6416T, xxxx = 3F80H.



5. Absolute Maximum Ratings*

Temperature under Bias	-55°C to +125°C
Storage Temperature	-65°C to +150°C
All Input Voltages Except V_{PP} (Including NC Pins) with Respect to Ground	-0.6V to +6.25V
V_{PP} Input Voltage with Respect to Ground	0V to 10.0V
All Output Voltages with Respect to Ground	-0.6V to $V_{CCQ} + 0.6V$

*NOTICE: Stresses beyond those listed under “Absolute Maximum Ratings” may cause permanent damage to the device. This is a stress rating only and functional operation of the device at these or any other conditions beyond those indicated in the operational sections of this specification is not implied. Exposure to absolute maximum rating conditions for extended periods may affect device reliability.

6. Protection Register Addressing Table

Word	Use	Block	A7	A6	A5	A4	A3	A2	A1	A0
0	Factory	A	1	0	0	0	0	0	0	1
1	Factory	A	1	0	0	0	0	0	1	0
2	Factory	A	1	0	0	0	0	0	1	1
3	Factory	A	1	0	0	0	0	1	0	0
4	User	B	1	0	0	0	0	1	0	1
5	User	B	1	0	0	0	0	1	1	0
6	User	B	1	0	0	0	0	1	1	1
7	User	B	1	0	0	0	1	0	0	0

- Notes:
1. For the AT49SN6416, all address lines not specified in the above table, A21 - A8, must be 0 when accessing the Protection Register.
 2. For the AT49SN6416T, all address lines not specified in the above table, A21 - A8, must be 3F80H when accessing the Protection Register.

7. Burst Configuration Register Table

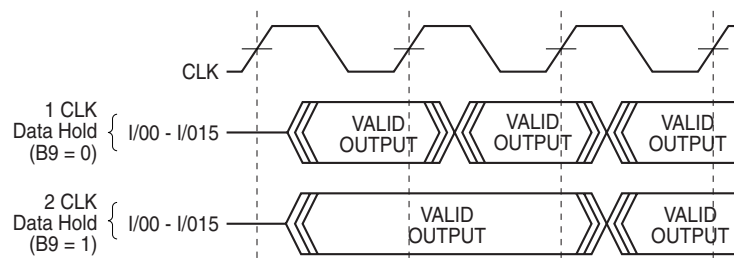
B15 Program (AT49SN6416)	0 1 ⁽¹⁾	Synchronous Burst Reads Enabled Asynchronous Burst Reads Enabled
B15 Program (AT49SN6416T)	1 0 ⁽¹⁾	Synchronous Burst Reads Enabled Asynchronous Burst Reads Enabled
B15 Read	0 1	Synchronous Burst Reads Enabled Asynchronous Burst Reads Enabled
B14		Reserved for future use
B13 - B11: ⁽²⁾	010 011 100 101 110 ⁽¹⁾	Clock Latency of Two Clock Latency of Three Clock Latency of Four Clock Latency of Five Clock Latency of Six
B10	0 1 ⁽¹⁾⁽³⁾	WAIT Signal is Asserted Low WAIT Signal is Asserted High
B9	0 1 ⁽¹⁾	Hold Data for One Clock Hold Data for Two Clocks
B8	0 1 ⁽¹⁾	WAIT Asserted during Clock Cycle in which Data is Valid WAIT Asserted One Clock Cycle before Data is Valid
B7	1 ⁽¹⁾	Linear Burst Sequence
B6	0 1 ⁽¹⁾	Burst Starts and Data Output on Falling Clock Edge Burst Starts and Data Output on Rising Clock Edge
B5 - B4	00 ⁽¹⁾	Reserved for Future Use
B3	0 1 ⁽¹⁾	Reserved for future use Don't Wrap Accesses Within Burst Length set by B2 - B0
B2 - B0	001 010 011 111 ⁽¹⁾	Four-word Burst Eight-word Burst Sixteen-word Burst Continuous Burst

- Notes: 1. Default State
 2. Burst configuration setting of B13 - B11 = 010 (clock latency of two), B9 = 1 (hold data for two clock cycles) and B8 = 1 (WAIT asserted one clock cycle before data is valid) is not supported.
 3. Data is not ready when WAIT is asserted.

8. Clock Latency versus Input Clock Frequency

Minimum Clock Latency (Minimum Number of Clocks Following Address Latch)	Input Clock Frequency
5, 6	≤ 66 MHz
4	≤ 61 MHz
2, 3	≤ 40 MHz

Figure 8-1. Output Configuration



9. Sequence and Burst Length

Start Addr. (Decimal)	Wrap B3 = 1	Burst Addressing Sequence (Decimal)			
		4-word Burst Length B2 – B0 = 001	8-word Burst Length B2 – B0 = 010	16-word Burst Length B2 – B0 = 011	Continuous Burst B2 – B0 = 111
		Linear	Linear	Linear	Linear
0	1	0-1-2-3	0-1-2-3-4-5-6-7	0-1-2...14-15	0-1-2-3-4-5-6...
1	1	1-2-3-4	1-2-3-4-5-6-7-8	1-2-3...15-16	1-2-3-4-5-6-7...
2	1	2-3-4-5	2-3-4-5-6-7-8-9	2-3-4...16-17	2-3-4-5-6-7-8...
3	1	3-4-5-6	3-4-5-6-7-8-9-10	3-4-5...17-18	3-4-5-6-7-8-9...
4	1		4-5-6-7-8-9-10-11	4-5-6...18-19	4-5-6-7-8-9-10...
5	1		5-6-7-8-9-10-11-12	5-6-7...19-20	5-6-7-8-9-10-11...
6	1		6-7-8-9-10-11-12-13	6-7-8...20-21	6-7-8-9-10-11-12...
7	1		7-8-9-10-11-12-13-14	7-8-9...21-22	7-8-9-10-11-12-13...
...
14	1			14-15...28-29	14-15-16-17-18-19-20
15	1			15-16...29-30	15-16-17-18-19-20-21

**10. Memory Organization –
AT49SN6416**

Plane	Sector	Size (Words)	x16 Address Range (A21 - A0)
A	SA0	4K	00000 - 00FFF
A	SA1	4K	01000 - 01FFF
A	SA2	4K	02000 - 02FFF
A	SA3	4K	03000 - 03FFF
A	SA4	4K	04000 - 04FFF
A	SA5	4K	05000 - 05FFF
A	SA6	4K	06000 - 06FFF
A	SA7	4K	07000 - 07FFF
A	SA8	32K	08000 - 0FFFF
A	SA9	32K	10000 - 17FFF
A	SA10	32K	18000 - 1FFFF
A	SA11	32K	20000 - 27FFF
A	SA12	32K	28000 - 2FFFF
A	SA13	32K	30000 - 37FFF
A	SA14	32K	38000 - 3FFFF
A	SA15	32K	40000 - 47FFF
A	SA16	32K	48000 - 4FFFF
A	SA17	32K	50000 - 57FFF
A	SA18	32K	58000 - 5FFFF
A	SA19	32K	60000 - 67FFF
A	SA20	32K	68000 - 6FFFF
A	SA21	32K	70000 - 77FFF
A	SA22	32K	78000 - 7FFFF
A	SA23	32K	80000 - 87FFF
A	SA24	32K	88000 - 8FFFF
A	SA25	32K	90000 - 97FFF
A	SA26	32K	98000 - 9FFFF
A	SA27	32K	A0000 - A7FFF
A	SA28	32K	A8000 - AFFFF
A	SA29	32K	B0000 - B7FFF
A	SA30	32K	B8000 - BFFFF
A	SA31	32K	C0000 - C7FFF
A	SA32	32K	C8000 - CFFFF
A	SA33	32K	D0000 - D7FFF
A	SA34	32K	D8000 - DFFFF
A	SA35	32K	E0000 - E7FFF

**10. Memory Organization –
AT49SN6416 (Continued)**

Plane	Sector	Size (Words)	x16 Address Range (A21 - A0)
A	SA36	32K	E8000 - EFFFF
A	SA37	32K	F0000 - F7FFF
A	SA38	32K	F8000 - FFFFF
B	SA39	32K	100000 - 107FFF
B	SA40	32K	108000 - 10FFFF
B	SA41	32K	110000 - 117FFF
B	SA42	32K	118000 - 11FFFF
B	SA43	32K	120000 - 127FFF
B	SA44	32K	128000 - 12FFFF
B	SA45	32K	130000 - 137FFF
B	SA46	32K	138000 - 13FFFF
B	SA47	32K	140000 - 147FFF
B	SA48	32K	148000 - 14FFFF
B	SA49	32K	150000 - 157FFF
B	SA50	32K	158000 - 15FFFF
B	SA51	32K	160000 - 167FFF
B	SA52	32K	168000 - 16FFFF
B	SA53	32K	170000 - 177FFF
B	SA54	32K	178000 - 17FFFF
B	SA55	32K	180000 - 187FFF
B	SA56	32K	188000 - 18FFFF
B	SA57	32K	190000 - 197FFF
B	SA58	32K	198000 - 19FFFF
B	SA59	32K	1A0000 - 1A7FFF
B	SA60	32K	1A8000 - 1AFFFF
B	SA61	32K	1B0000 - 1B7FFF
B	SA62	32K	1B8000 - 1BFFFF
B	SA63	32K	1C0000 - 1C7FFF
B	SA64	32K	1C8000 - 1CFFFF
B	SA65	32K	1D0000 - 1D7FFF
B	SA66	32K	1D8000 - 1DFFFF
B	SA67	32K	1E0000 - 1E7FFF
B	SA68	32K	1E8000 - 1EFFFF
B	SA69	32K	1F0000 - 1F7FFF
B	SA70	32K	1F8000 - 1FFFF
C	SA71	32K	200000 - 207FFF

10. Memory Organization – AT49SN6416 (Continued)

Plane	Sector	Size (Words)	x16 Address Range (A21 - A0)
C	SA72	32K	208000 - 20FFFF
C	SA73	32K	210000 - 217FFF
C	SA74	32K	218000 - 21FFFF
C	SA75	32K	220000 - 227FFF
C	SA76	32K	228000 - 22FFFF
C	SA77	32K	230000 - 237FFF
C	SA78	32K	238000 - 23FFFF
C	SA79	32K	240000 - 247FFF
C	SA80	32K	248000 - 24FFFF
C	SA81	32K	250000 - 257FFF
C	SA82	32K	258000 - 25FFFF
C	SA83	32K	260000 - 267FFF
C	SA84	32K	268000 - 26FFFF
C	SA85	32K	270000 - 277FFF
C	SA86	32K	278000 - 27FFFF
C	SA87	32K	280000 - 287FFF
C	SA88	32K	288000 - 28FFFF
C	SA89	32K	290000 - 297FFF
C	SA90	32K	298000 - 29FFFF
C	SA91	32K	2A0000 - 2A7FFF
C	SA92	32K	2A8000 - 2AFFFF
C	SA93	32K	2B0000 - 2B7FFF
C	SA94	32K	2B8000 - 2BFFFF
C	SA95	32K	2C0000 - 2C7FFF
C	SA96	32K	2C8000 - 2CFFFF
C	SA97	32K	2D0000 - 2D7FFF
C	SA98	32K	2D8000 - 2DFFFF
C	SA99	32K	2E0000 - 2E7FFF
C	SA100	32K	2E8000 - 2EFFFF
C	SA101	32K	2F0000 - 2F7FFF
C	SA102	32K	2F8000 - 2FFFFF

10. Memory Organization – AT49SN6416 (Continued)

Plane	Sector	Size (Words)	x16 Address Range (A21 - A0)
D	SA103	32K	300000 - 307FFF
D	SA104	32K	308000 - 30FFFF
D	SA105	32K	310000 - 317FFF
D	SA106	32K	318000 - 31FFFF
D	SA107	32K	320000 - 327FFF
D	SA108	32K	328000 - 32FFFF
D	SA109	32K	330000 - 337FFF
D	SA110	32K	338000 - 33FFFF
D	SA111	32K	340000 - 347FFF
D	SA112	32K	348000 - 34FFFF
D	SA113	32K	350000 - 357FFF
D	SA114	32K	358000 - 35FFFF
D	SA115	32K	360000 - 367FFF
D	SA116	32K	368000 - 36FFFF
D	SA117	32K	370000 - 377FFF
D	SA118	32K	378000 - 37FFFF
D	SA119	32K	380000 - 387FFF
D	SA120	32K	388000 - 38FFFF
D	SA121	32K	390000 - 397FFF
D	SA122	32K	398000 - 39FFFF
D	SA123	32K	3A0000 - 3A7FFF
D	SA124	32K	3A8000 - 3AFFFF
D	SA125	32K	3B0000 - 3B7FFF
D	SA126	32K	3B8000 - 3BFFFF
D	SA127	32K	3C0000 - 3C7FFF
D	SA128	32K	3C8000 - 3CFFFF
D	SA129	32K	3D0000 - 3D7FFF
D	SA130	32K	3D8000 - 3DFFFF
D	SA131	32K	3E0000 - 3E7FFF
D	SA132	32K	3E8000 - 3EFFFF
D	SA133	32K	3F0000 - 3F7FFF
D	SA134	32K	3F8000 - 3FFFFF

11. Memory Organization – AT49SN6416T

Plane	Sector	Size (Words)	x16
			Address Range (A21 - A0)
D	SA0	32K	00000 - 07FFF
D	SA1	32K	08000 - 0FFFF
D	SA2	32K	10000 - 17FFF
D	SA3	32K	18000 - 1FFFF
D	SA4	32K	20000 - 27FFF
D	SA5	32K	28000 - 2FFFF
D	SA6	32K	30000 - 37FFF
D	SA7	32K	38000 - 3FFFF
D	SA8	32K	40000 - 47FFF
D	SA9	32K	48000 - 4FFFF
D	SA10	32K	50000 - 57FFF
D	SA11	32K	58000 - 5FFFF
D	SA12	32K	60000 - 67FFF
D	SA13	32K	68000 - 6FFFF
D	SA14	32K	70000 - 77FFF
D	SA15	32K	78000 - 7FFFF
D	SA16	32K	80000 - 87FFF
D	SA17	32K	88000 - 8FFFF
D	SA18	32K	90000 - 97FFF
D	SA19	32K	98000 - 9FFFF
D	SA20	32K	A0000 - A7FFF
D	SA21	32K	A8000 - AFFFF
D	SA22	32K	B0000 - B7FFF
D	SA23	32K	B8000 - BFFFF
D	SA24	32K	C0000 - C7FFF
D	SA25	32K	C8000 - CFFFF
D	SA26	32K	D0000 - D7FFF
D	SA27	32K	D8000 - DFFFF
D	SA28	32K	E0000 - E7FFF
D	SA29	32K	E8000 - EFFFF
D	SA30	32K	F0000 - F7FFF
D	SA31	32K	F8000 - FFFFF
C	SA32	32K	100000 - 107FFF
C	SA33	32K	108000 - 10FFFF
C	SA34	32K	110000 - 117FFF
C	SA35	32K	118000 - 11FFFF

11. Memory Organization – AT49SN6416T (Continued)

Plane	Sector	Size (Words)	x16
			Address Range (A21 - A0)
C	SA36	32K	120000 - 127FFF
C	SA37	32K	128000 - 12FFFF
C	SA38	32K	130000 - 137FFF
C	SA39	32K	138000 - 13FFFF
C	SA40	32K	140000 - 147FFF
C	SA41	32K	148000 - 14FFFF
C	SA42	32K	150000 - 157FFF
C	SA43	32K	158000 - 15FFFF
C	SA44	32K	160000 - 167FFF
C	SA45	32K	168000 - 16FFFF
C	SA46	32K	170000 - 177FFF
C	SA47	32K	178000 - 17FFFF
C	SA48	32K	180000 - 187FFF
C	SA49	32K	188000 - 18FFFF
C	SA50	32K	190000 - 197FFF
C	SA51	32K	198000 - 19FFFF
C	SA52	32K	1A0000 - 1A7FFF
C	SA53	32K	1A8000 - 1AFFFF
C	SA54	32K	1B0000 - 1B7FFF
C	SA55	32K	1B8000 - 1BFFFF
C	SA56	32K	1C0000 - 1C7FFF
C	SA57	32K	1C8000 - 1CFFFF
C	SA58	32K	1D0000 - 1D7FFF
C	SA59	32K	1D8000 - 1DFFFF
C	SA60	32K	1E0000 - 1E7FFF
C	SA61	32K	1E8000 - 1EFFFF
C	SA62	32K	1F0000 - 1F7FFF
C	SA63	32K	1F8000 - 1FFFFF
B	SA64	32K	200000 - 207FFF
B	SA65	32K	208000 - 20FFFF
B	SA66	32K	210000 - 217FFF
B	SA67	32K	218000 - 21FFFF
B	SA68	32K	220000 - 227FFF
B	SA69	32K	228000 - 22FFFF
B	SA70	32K	230000 - 237FFF
B	SA71	32K	238000 - 23FFFF



11. Memory Organization – AT49SN6416T (Continued)

Plane	Sector	Size (Words)	x16 Address Range (A21 - A0)
B	SA72	32K	240000 - 247FFF
B	SA73	32K	248000 - 24FFFF
B	SA74	32K	250000 - 257FFF
B	SA75	32K	258000 - 25FFFF
B	SA76	32K	260000 - 267FFF
B	SA77	32K	268000 - 26FFFF
B	SA78	32K	270000 - 277FFF
B	SA79	32K	278000 - 27FFFF
B	SA80	32K	280000 - 287FFF
B	SA81	32K	288000 - 28FFFF
B	SA82	32K	290000 - 297FFF
B	SA83	32K	298000 - 29FFFF
B	SA84	32K	2A0000 - 2A7FFF
B	SA85	32K	2A8000 - 2AFFFF
B	SA86	32K	2B0000 - 2B7FFF
B	SA87	32K	2B8000 - 2BFFFF
B	SA88	32K	2C0000 - 2C7FFF
B	SA89	32K	2C8000 - 2CFFFF
B	SA90	32K	2D0000 - 2D7FFF
B	SA91	32K	2D8000 - 2DFFFF
B	SA92	32K	2E0000 - 2E7FFF
B	SA93	32K	2E8000 - 2EFFFF
B	SA94	32K	2F0000 - 2F7FFF
B	SA95	32K	2F8000 - 2FFFFF
A	SA96	32K	300000 - 307FFF
A	SA97	32K	308000 - 30FFFF
A	SA98	32K	310000 - 317FFF
A	SA99	32K	318000 - 31FFFF
A	SA100	32K	320000 - 327FFF
A	SA101	32K	328000 - 32FFFF
A	SA102	32K	330000 - 337FFF
A	SA103	32K	338000 - 33FFFF
A	SA104	32K	340000 - 347FFF

11. Memory Organization – AT49SN6416T (Continued)

Plane	Sector	Size (Words)	x16 Address Range (A21 - A0)
A	SA105	32K	348000 - 34FFFF
A	SA106	32K	350000 - 357FFF
A	SA107	32K	358000 - 35FFFF
A	SA108	32K	360000 - 367FFF
A	SA109	32K	368000 - 36FFFF
A	SA110	32K	370000 - 377FFF
A	SA111	32K	378000 - 37FFFF
A	SA112	32K	380000 - 387FFF
A	SA113	32K	388000 - 38FFFF
A	SA114	32K	390000 - 397FFF
A	SA115	32K	398000 - 39FFFF
A	SA116	32K	3A0000 - 3A7FFF
A	SA117	32K	3A8000 - 3AFFFF
A	SA118	32K	3B0000 - 3B7FFF
A	SA119	32K	3B8000 - 3BFFFF
A	SA120	32K	3C0000 - 3C7FFF
A	SA121	32K	3C8000 - 3CFFFF
A	SA122	32K	3D0000 - 3D7FFF
A	SA123	32K	3D8000 - 3DFFFF
A	SA124	32K	3E0000 - 3E7FFF
A	SA125	32K	3E8000 - 3EFFFF
A	SA126	32K	3F0000 - 3F7FFF
A	SA127	4K	3F8000 - 3F8FFF
A	SA128	4K	3F9000 - 3F9FFF
A	SA129	4K	3FA000 - 3FAFFF
A	SA130	4K	3FB000 - 3FBFFF
A	SA131	4K	3FC000 - 3FCFFF
A	SA132	4K	3FD000 - 3FDFFF
A	SA133	4K	3FE000 - 3FEFFF
A	SA134	4K	3FF000 - 3FFFFF

12. DC and AC Operating Range

		AT49SN6416(T)-70
Operating Temperature (Case)	Industrial	-40°C - 85°C
V _{CC} Power Supply		1.65V - 1.95V

13. Operating Modes

Mode	\overline{CE}	\overline{OE}	\overline{WE}	\overline{RESET}	V _{PP} ⁽⁴⁾	Ai	I/O
Read	V _{IL}	V _{IL}	V _{IH}	V _{IH}	X	Ai	D _{OUT}
Burst Read	V _{IL}	V _{IL}	V _{IH}	V _{IH}	X	Ai	D _{OUT}
Program/Erase ⁽³⁾	V _{IL}	V _{IH}	V _{IL}	V _{IH}	V _{IHPP} ⁽⁵⁾	Ai	D _{IN}
Standby/Program Inhibit	V _{IH}	X ⁽¹⁾	X	V _{IH}	X	X	High Z
Program Inhibit	X	X	V _{IH}	V _{IH}	X		
	X	V _{IL}	X	V _{IH}	X		
	X	X	X	X	V _{ILPP} ⁽⁶⁾		
Output Disable	X	V _{IH}	X	V _{IH}	X		High Z
Reset	X	X	X	V _{IL}	X	X	High Z
Product Identification Software				V _{IH}		A0 = V _{IL} , A1 - A21 = V _{IL}	Manufacturer Code ⁽³⁾
				V _{IH}		A0 = V _{IH} , A1 - A21 = V _{IL}	Device Code ⁽³⁾

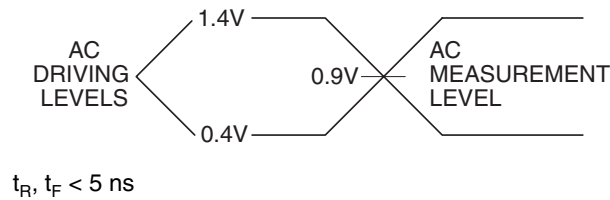
- Notes:
1. X can be V_{IL} or V_{IH}.
 2. Refer to AC programming waveforms.
 3. Manufacturer Code: 001FH; Device Code: 00DE - AT49SN6416; 00D8H - AT49SN6416T.
 4. The V_{PP} pin can be tied to V_{CC}. For faster program operations, V_{PP} can be set to 9.5V ± 0.5V.
 5. V_{IHPP} (min) = 0.9V.
 6. V_{ILPP} (max) = 0.4V.

14. DC Characteristics

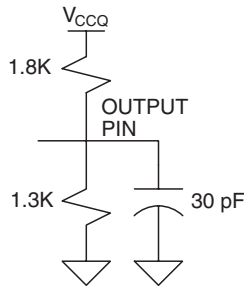
Symbol	Parameter	Condition	Min	Max	Units
I_{LI}	Input Load Current	$V_{IN} = 0V$ to V_{CC}		1	μA
I_{LO}	Output Leakage Current	$V_{IO} = 0V$ to V_{CC}		1	μA
I_{SB1}	V_{CC} Standby Current CMOS	$\overline{CE} = V_{CCQ} - 0.3V$ to V_{CC}		35	μA
$I_{CC}^{(1)}$	V_{CC} Active Current	$f = 66$ MHz; $I_{OUT} = 0$ mA		30	mA
I_{CCRE}	V_{CC} Read While Erase Current	$f = 66$ MHz; $I_{OUT} = 0$ mA		50	mA
I_{CCRW}	V_{CC} Read While Write Current	$f = 66$ MHz; $I_{OUT} = 0$ mA		50	mA
V_{IL}	Input Low Voltage			0.4	V
V_{IH}	Input High Voltage		$V_{CCQ} - 0.2$		V
V_{OL}	Output Low Voltage	$I_{OL} = 100 \mu A$ $I_{OL} = 2.1$ mA		0.1 0.25	V
V_{OH}	Output High Voltage	$I_{OH} = -100 \mu A$	$V_{CCQ} - 0.1$		V
		$I_{OH} = -400 \mu A$	1.4		

Note: 1. In the erase mode, I_{CC} is 30 mA.

15. Input Test Waveforms and Measurement Level



16. Output Test Load



17. Pin Capacitance

$f = 1$ MHz, $T = 25^\circ C^{(1)}$

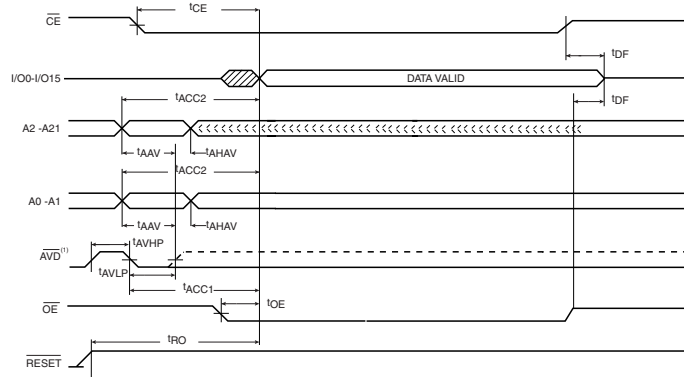
	Typ	Max	Units	Conditions
C_{IN}	4	6	pF	$V_{IN} = 0V$
C_{OUT}	8	12	pF	$V_{OUT} = 0V$

Note: 1. This parameter is characterized and is not 100% tested.

18. AC Asynchronous Read Timing Characteristics

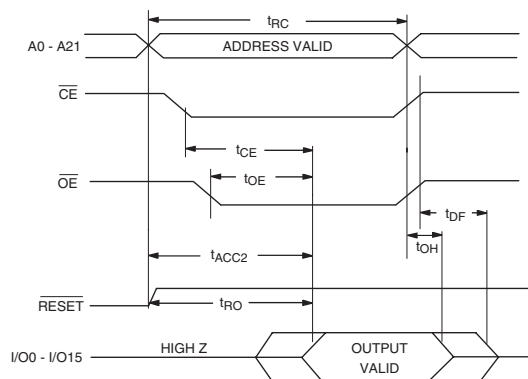
Symbol	Parameter	Min	Max	Units
t_{ACC1}	Access, \overline{AVD} To Data Valid		70	ns
t_{ACC2}	Access, Address to Data Valid		70	ns
t_{CE}	Access, \overline{CE} to Data Valid		70	ns
t_{OE}	\overline{OE} to Data Valid		20	ns
$t_{AHA V}$	Address Hold from \overline{AVD}	9		ns
t_{AVLP}	\overline{AVD} Low Pulse Width	10		ns
t_{AVHP}	\overline{AVD} High Pulse Width	10		ns
t_{AAV}	Address Valid to \overline{AVD}	10		ns
t_{DF}	\overline{CE} , \overline{OE} High to Data Float		25	ns
t_{OH}	Output Hold from \overline{OE} , \overline{CE} or Address, Whichever Occurred First	0		ns
t_{RO}	RESET to Output Delay		150	ns

19. \overline{AVD} Pulsed Asynchronous Read Cycle Waveform⁽¹⁾⁽²⁾



- Notes:
1. After the high-to-low transition on \overline{AVD} , \overline{AVD} may remain low as long as the address is stable.
 2. CLK may be static high or static low.

20. Asynchronous Read Cycle Waveform⁽¹⁾⁽²⁾⁽³⁾⁽⁴⁾

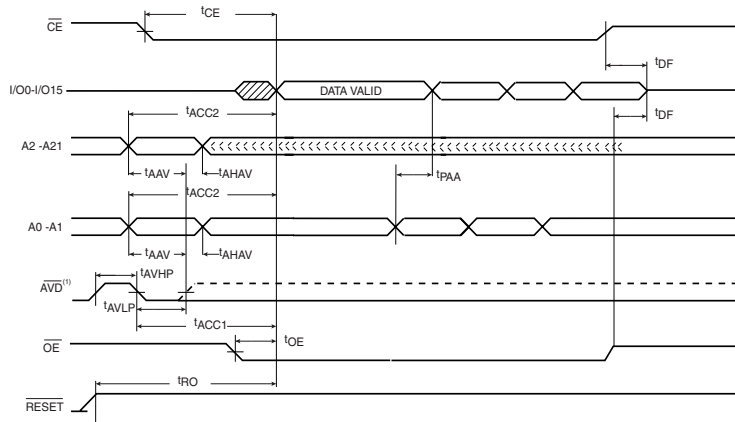


- Notes:
1. \overline{CE} may be delayed up to $t_{ACC} - t_{CE}$ after the address transition without impact on t_{ACC} .
 2. \overline{OE} may be delayed up to $t_{CE} - t_{OE}$ after the falling edge of \overline{CE} without impact on t_{CE} or by $t_{ACC} - t_{OE}$ after an address change without impact on t_{ACC} .
 3. t_{DF} is specified from \overline{OE} or \overline{CE} , whichever occurs first (CL = 5 pF).
 4. \overline{AVD} and CLK should be tied low.

21. AC Asynchronous Read Timing Characteristics

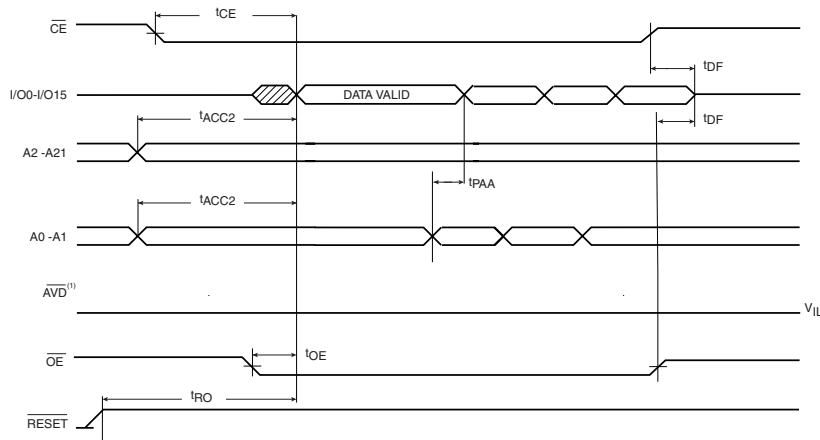
Symbol	Parameter	Min	Max	Units
t_{ACC1}	Access, \overline{AVD} To Data Valid		70	ns
t_{ACC2}	Access, Address to Data Valid		70	ns
t_{CE}	Access, \overline{CE} to Data Valid		70	ns
t_{OE}	\overline{OE} to Data Valid		20	ns
$t_{AHA V}$	Address Hold from \overline{AVD}	9		ns
t_{AVLP}	\overline{AVD} Low Pulse Width	10		ns
t_{AVHP}	\overline{AVD} High Pulse Width	10		ns
t_{AAV}	Address Valid to \overline{AVD}	10		ns
t_{DF}	\overline{CE} , \overline{OE} High to Data Float		25	ns
t_{RO}	\overline{RESET} to Output Delay		150	ns
t_{PAA}	Page Address Access Time		20	ns

22. Page Read Cycle Waveform 1⁽¹⁾



Note: 1. After the high-to-low transition on \overline{AVD} , \overline{AVD} may remain low as long as the page address is stable.

23. Page Read Cycle Waveform 2⁽¹⁾

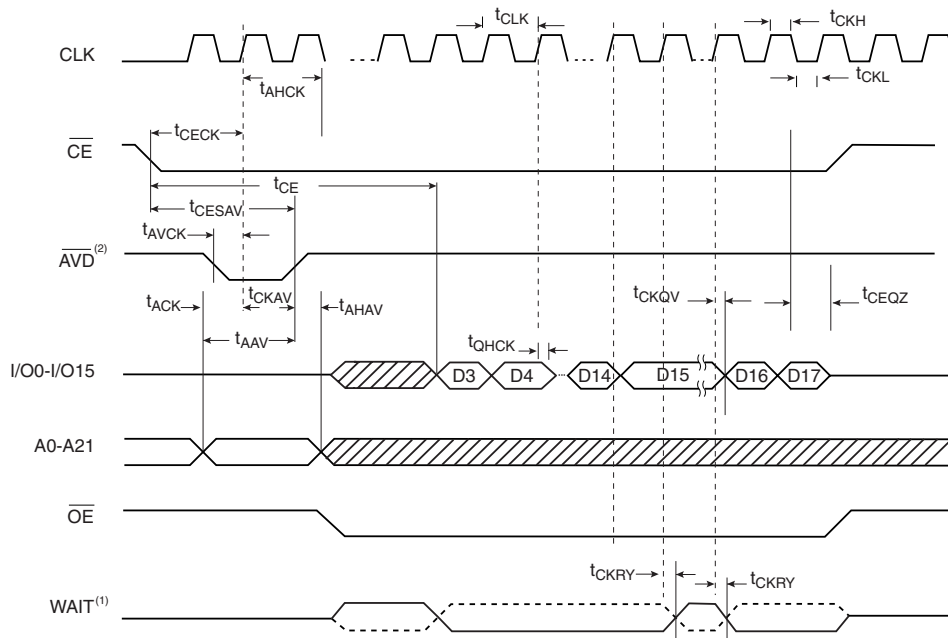


Note: 1. \overline{AVD} may remain low as long as the page address is stable.

24. AC Burst Read Timing Characteristics

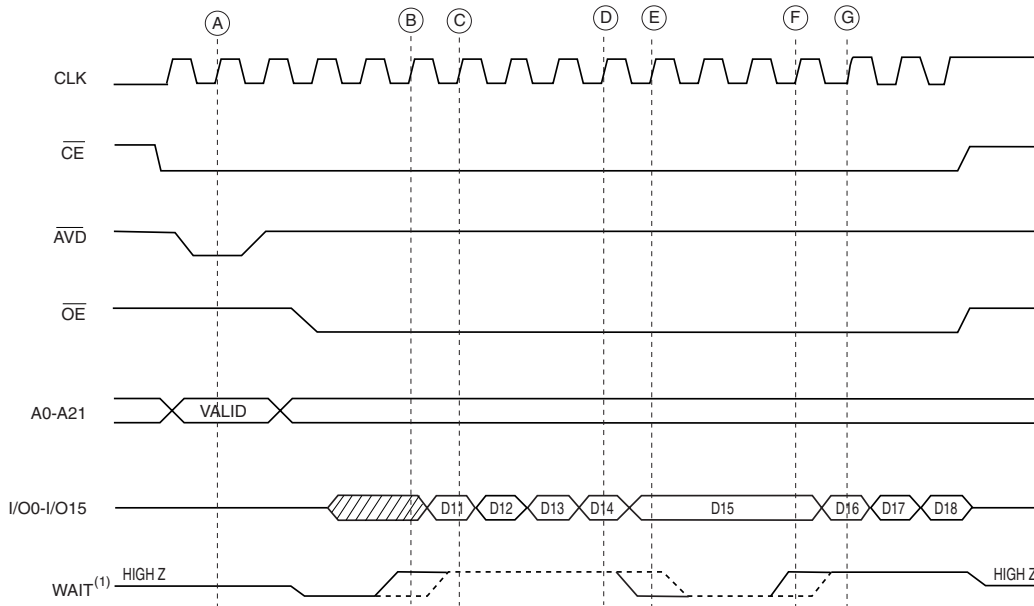
Symbol	Parameter	Min	Max	Units
t_{CLK}	CLK Period	15		ns
t_{CKH}	CLK High Time	4		ns
t_{CKL}	CLK Low Time	4		ns
t_{CKRT}	CLK Rise Time		3.5	ns
t_{CKFT}	CLK Fall Time		3.5	ns
t_{ACK}	Address Valid to Clock	7		ns
t_{AVCK}	\overline{AVD} Low to Clock	7		ns
t_{CECK}	\overline{CE} Low to Clock	7		ns
t_{CKAV}	Clock to \overline{AVD} High	3		ns
t_{QHCK}	Output Hold from Clock	3		ns
t_{AHCK}	Address Hold from Clock	8		ns
t_{CKRY}	Clock to WAIT Delay		13	ns
t_{CESAV}	\overline{CE} Setup to \overline{AVD}	10		ns
t_{AAV}	Address Valid to \overline{AVD}	10		ns
t_{AHA}	Address Hold From \overline{AVD}	9		ns
t_{CKQV}	CLK to Data Delay		13	ns
t_{CEQZ}	\overline{CE} High to Output High-Z		10	ns

25. Burst Read Cycle Waveform



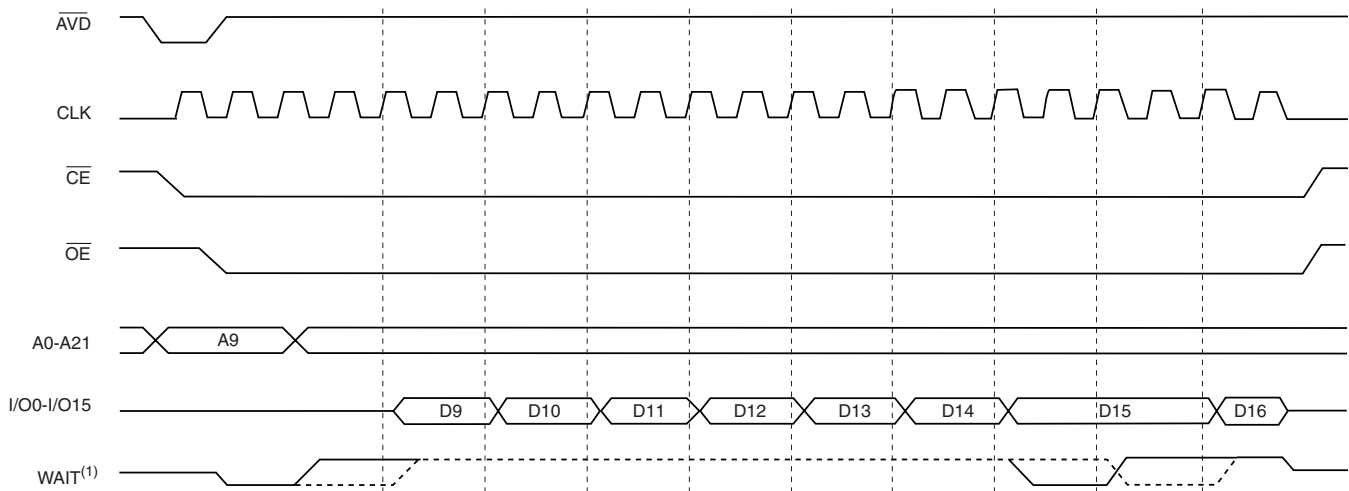
- Notes:
1. The WAIT signal (dashed line) shown is for a burst configuration register setting of B10 and B8 = 0. The WAIT Signal (solid line) shown is for a burst configuration setting of B10 = 1 and B8 = 0.
 2. After the high-to-low transition on \overline{AVD} , \overline{AVD} may remain low.

26. Burst Read Waveform (Clock Latency of 4)



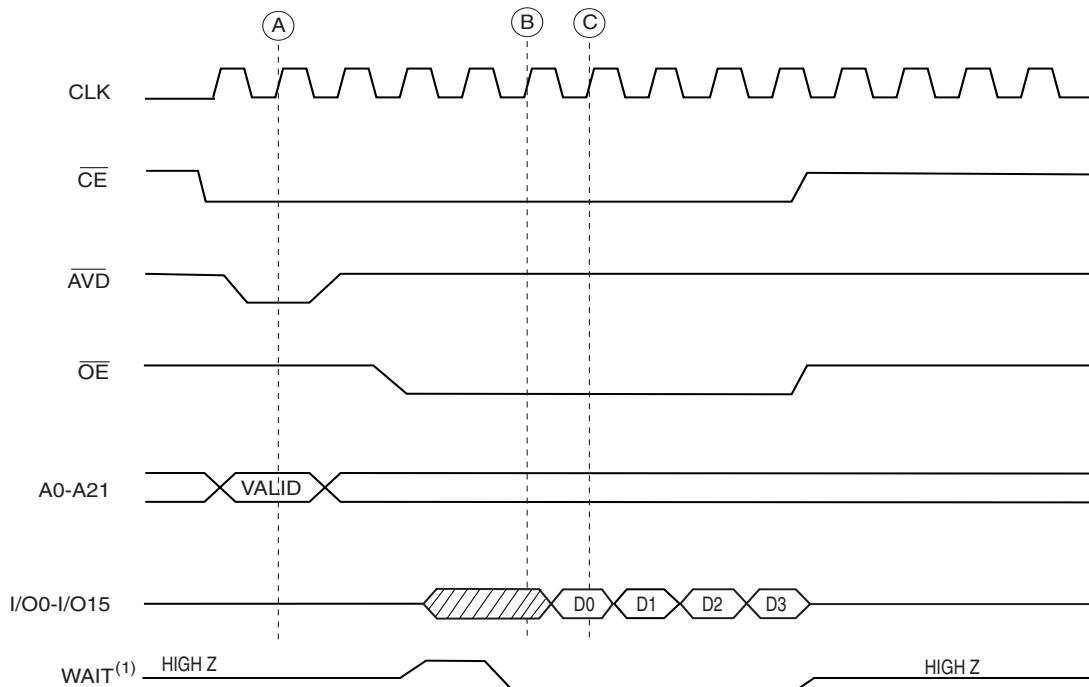
Note: 1. Dashed line reflects a B10 and B8 setting of 0 in the configuration register. Solid line reflects a B10 setting of 0 and B8 setting of 1 in the configuration register.

27. Hold Data for 2 Clock Cycles Read Waveform (Clock Latency of 4)



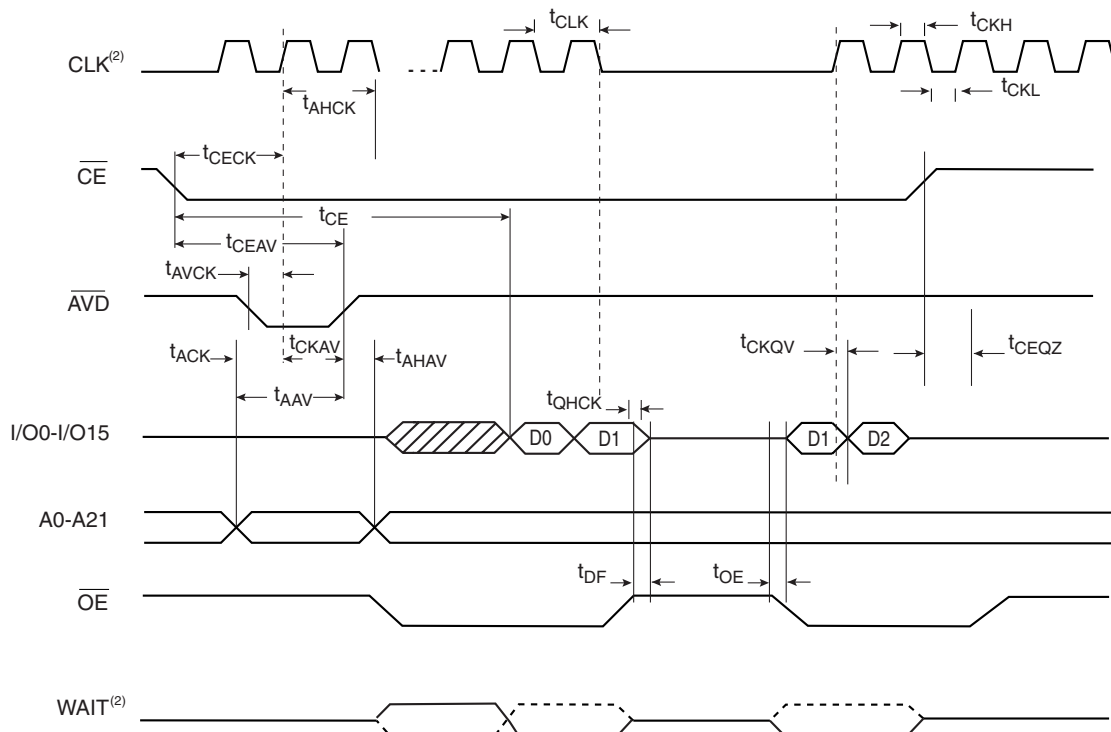
Note: 1. The Dashed line reflects a burst configuration register setting of B10 and B8 = 0, B9 = 1. Solid line reflects a burst configuration register setting of B10 = 0, B8 and B9 = 1.

28. Four-word Burst Read Waveform (Clock Latency of 4)



Note: 1. The WAIT signal shown is for a burst configuration register of B10 and B8 = 1.

29. Burst Suspend Waveform



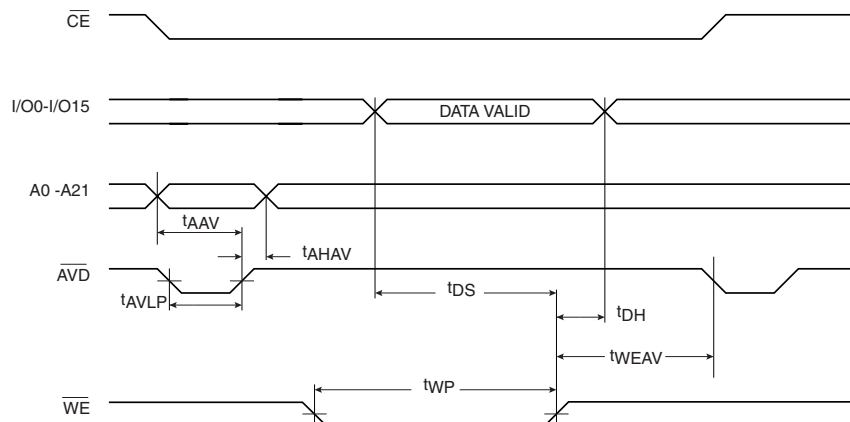
Notes: 1. The WAIT signal (dashed line) shown is for a burst configuration register setting of B10 and B8 = 0. The WAIT Signal (solid line) shown is for a burst configuration setting of B10 = 1 and B8 = 0.
2. During Burst Suspend, CLK signal can be held low or high.

30. AC Word Load Characteristics 1

Symbol	Parameter	Min	Max	Units
t_{AAV}	Address Valid to \overline{AVD} High	10		ns
t_{AHAV}	Address Hold Time from \overline{AVD} High	9		ns
t_{AVLP}	\overline{AVD} Low Pulse Width	10		ns
t_{DS}	Data Setup Time	50		ns
t_{DH}	Data Hold Time	0		ns
t_{CESAV}	\overline{CE} Setup to \overline{AVD}	10		ns
t_{WP}	\overline{CE} or \overline{WE} Low Pulse Width	35		ns
t_{WPH}	\overline{CE} or \overline{WE} High Pulse Width	25		ns
t_{WEAV}	\overline{WE} High Time to \overline{AVD} Low	25		ns
t_{CEAV}	\overline{CE} High Time to \overline{AVD} Low	25		ns

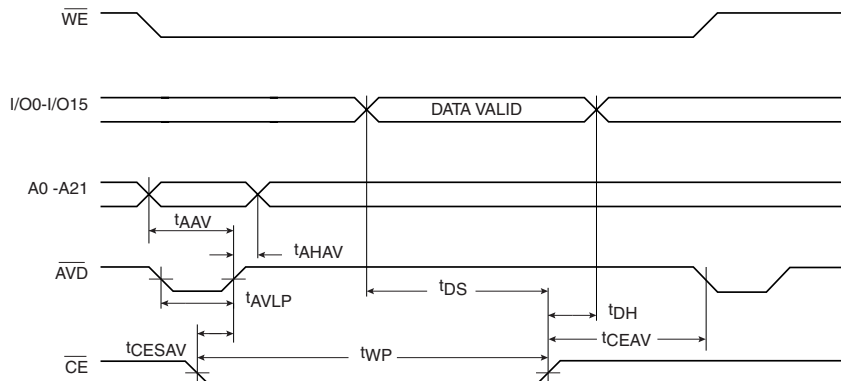
31. AC Word Load Waveforms 1

31.1 \overline{WE} Controlled⁽¹⁾



Note: 1. After the high-to-low transition on \overline{AVD} , \overline{AVD} may remain low as long as the CLK input does not toggle.

31.2 \overline{CE} Controlled⁽¹⁾



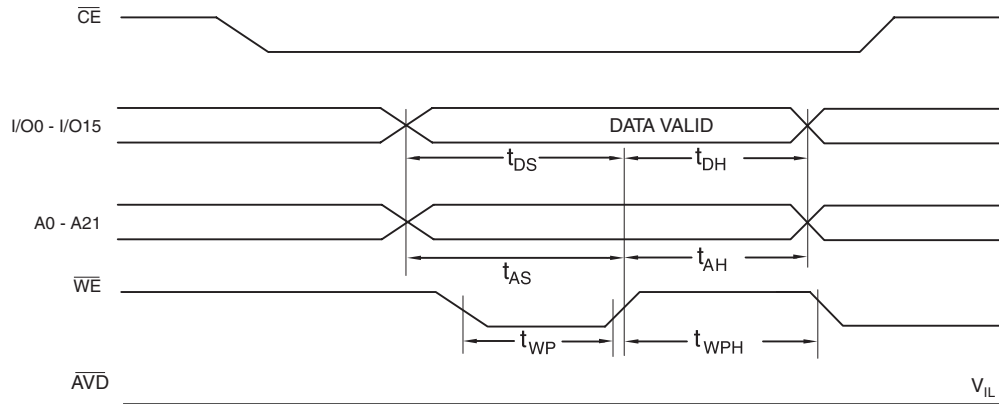
Note: 1. After the high-to-low transition on \overline{AVD} , \overline{AVD} may remain low as long as the CLK input does not toggle.

32. AC Word Load Characteristics 2

Symbol	Parameter	Min	Max	Units
t_{AS}	Address Setup Time to \overline{WE} and \overline{CE} High	50		ns
t_{AH}	Address Hold Time	0		ns
t_{DS}	Data Setup Time	50		ns
t_{DH}	Data Hold Time	0		ns
t_{WP}	\overline{CE} or \overline{WE} Low Pulse Width	35		ns
t_{WPH}	\overline{CE} or \overline{WE} High Pulse Width	25		ns

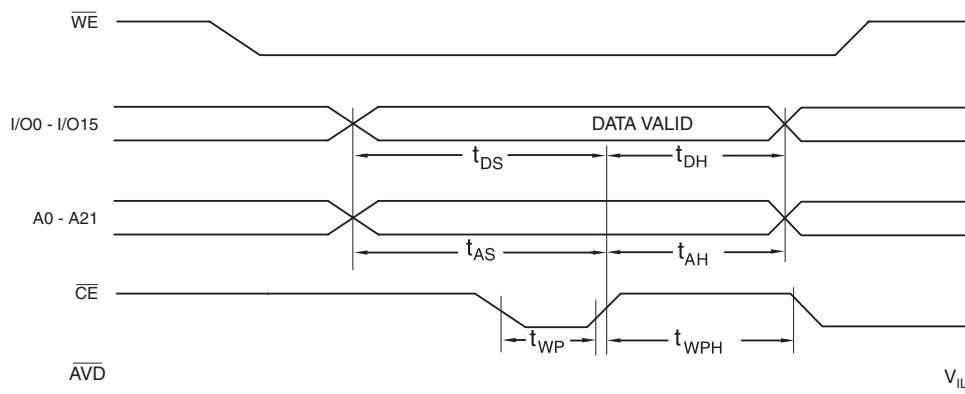
33. AC Word Load Waveforms 2

33.1 \overline{WE} Controlled⁽¹⁾



Note: 1. The CLK input should not toggle.

33.2 \overline{CE} Controlled⁽¹⁾

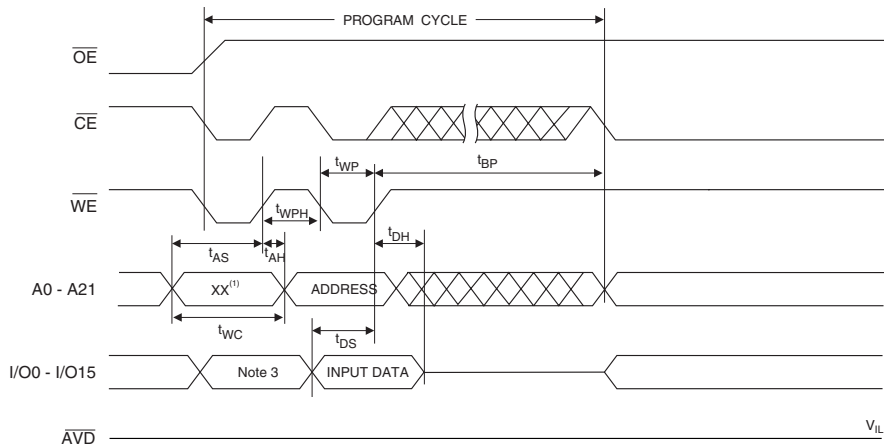


Note: 1. The CLK input should not toggle.

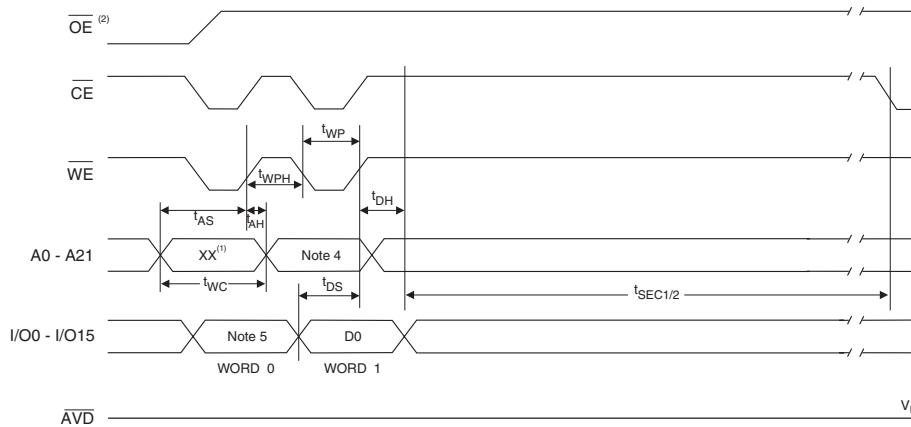
34. Program Cycle Characteristics

Symbol	Parameter	Min	Typ	Max	Units
t_{BP}	Word Programming Time		22		μs
t_{WC}	Write Cycle Time				
t_{SEC1}	Sector Erase Cycle Time (4K word sectors)		200		ms
t_{SEC2}	Sector Erase Cycle Time (32K word sectors)		700		ms
t_{ES}	Erase Suspend Time			15	μs
t_{PS}	Program Suspend Time			10	μs
t_{ERES}	Delay between Erase Resume and Erase Suspend	500			μs

35. Program Cycle Waveforms



36. Sector, Plane or Chip Erase Cycle Waveforms



- Notes:
- Any address can be used to load data.
 - \overline{OE} must be high only when \overline{WE} and \overline{CE} are both low.
 - The data can be 40H or 10H.
 - For chip erase, any address can be used. For plane erase or sector erase, the address depends on what plane or sector is to be erased.
 - For chip erase, the data should be 21H, for plane erase, the data should be 22H, and for sector erase, the data should be 20H.

37. Common Flash Interface Definition Table

Address	AT49SN6416T	AT49SN6416	Comments
10h	0051h	0051h	“Q”
11h	0052h	0052h	“R”
12h	0059h	0059h	“Y”
13h	0003h	0003h	
14h	0000h	0000h	
15h	0041h	0041h	
16h	0000h	0000h	
17h	0000h	0000h	
18h	0000h	0000h	
19h	0000h	0000h	
1Ah	0000h	0000h	
1Bh	0016h	0016h	VCC min write/erase
1Ch	0019h	0019h	VCC max write/erase
1Dh	00B5h	0009h	VPP min voltage
1Eh	00C5h	000Ah	VPP max voltage
1Fh	0004h	0004h	Typ word write – 16 μ s
20h	0000h	0000h	
21h	0009h	0009h	Typ block erase – 500 ms
22h	0010h	0010h	Typ chip erase – 64,300 ms
23h	0004h	0004h	Max word write/typ time
24h	0000h	0000h	n/a
25h	0003h	0003h	Max block erase/typ block erase
26h	0003h	0003h	Max chip erase/ typ chip erase
27h	0017h	0017h	Device size
28h	0001h	0001h	x16 device
29h	0000h	0000h	x16 device
2Ah	0000h	0000h	Multiple byte write not supported
2Bh	0000h	0000h	Multiple byte write not supported
2Ch	0002h	0002h	2 regions, x = 2
2Dh	007Eh	0007h	64K bytes, Y = 126 (Top); 8K bytes, Y = 7 (Bottom)
2Eh	0000h	0000h	64K bytes, Y = 126 (Top); 8K bytes, Y = 7 (Bottom)
2Fh	0000h	0020h	64K bytes, Z = 256 (Top); 8K bytes, Z = 32 (Bottom)
30h	0001h	0000h	64K bytes, Z = 256 (Top); 8K bytes, Z = 32 (Bottom)
31h	0007h	007Eh	8K bytes, Y = 7 (Top); 64K bytes, Y = 126 (Bottom)
32h	0000h	0000h	8K bytes, Y = 7 (Top); 64K bytes, Y = 126 (Bottom)
33h	0020h	0000h	8K bytes, Z = 32 (Top); 64K bytes, Z = 256 (Bottom)
34h	0000h	0001h	8K bytes, Z = 32 (Top); 64K bytes, Z = 256 (Bottom)

37. Common Flash Interface Definition Table (Continued)

Address	AT49SN6416T	AT49SN6416	Comments
VENDOR SPECIFIC EXTENDED QUERY			
41h	0050h	0050h	"P"
42h	0052h	0052h	"R"
43h	0049h	0049h	"I"
44h	0031h	0031h	Major version number, ASCII
45h	0030h	0030h	Minor version number, ASCII
46h	00BFh	00BFh	Bit 0 – chip erase supported, 0 – no, 1 – yes Bit 1 – erase suspend supported, 0 – no, 1 – yes Bit 2 – program suspend supported, 0 – no, 1 – yes Bit 3 – simultaneous operations supported, 0 – no, 1 – yes Bit 4 – burst mode read supported, 0 – no, 1 – yes Bit 5 – page mode read supported, 0 – no, 1 – yes Bit 6 – queued erase supported, 0 – no, 1 – yes Bit 7 – protection bits supported, 0 – no, 1 – yes
47h	0000h	0001h	Bit 0 – top ("0") or bottom ("1") boot block device Undefined bits are "0"
48h	000Fh	000Fh	Bit 0 – 4 word linear burst with wrap around, 0 – no, 1 – yes Bit 1 – 8 word linear burst with wrap around, 0 – no, 1 – yes Bit 2 – 16 word linear burst with wrap around, 0 – no, 1 – yes Bit 3 – continuous burst, 0 – no, 1 – yes Undefined bits are "0"
49h	0001h	0001h	Bit 0 – 4 word page, 0 – no, 1 – yes Bit 1 – 8 word page, 0 – no, 1 – yes Undefined bits are "0"
4Ah	0080h	0080h	Location of protection register lock byte, the section's first byte
4Bh	0003h	0003h	# of bytes in the factory prog section of prot register – 2*n
4Ch	0003h	0003h	# of bytes in the user prog section of prot register – 2*n

38. Ordering Information

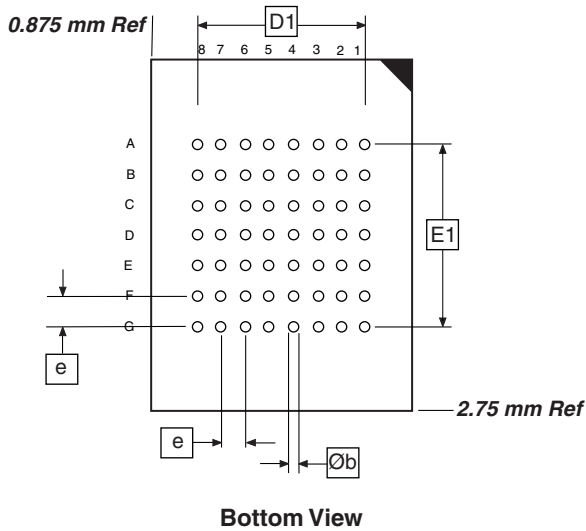
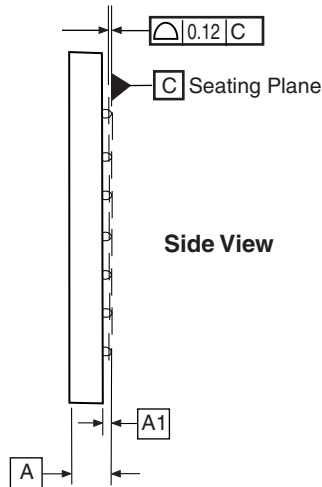
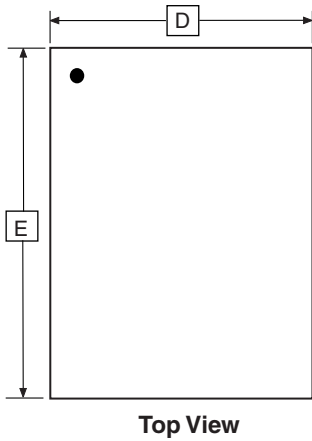
38.1 Standard Package

t _{ACC} (ns)	I _{CC} (mA)		Ordering Code	Package	Operation Range
	Active	Standby			
70	30	0.035	AT49SN6416-70CI	56C2	Industrial (-40° to 85°C)
70	30	0.035	AT49SN6416T-70CI	56C2	Industrial (-40° to 85°C)

Package Type	
56C2	56-ball, Plastic Chip-size Ball Grid Array Package (CBGA)

39. Packaging Information

39.1 56C2 – CBGA



COMMON DIMENSIONS
(Unit of Measure = mm)

SYMBOL	MIN	NOM	MAX	NOTE
A	–	–	1.00	
A1	0.21	–	–	
D	6.90	7.00	7.10	
D1	5.25 TYP			
E	9.90	10.00	10.10	
E1	4.50 TYP			
e	0.75 TYP			
Øb	0.35 TYP			

1/9/04



2325 Orchard Parkway
San Jose, CA 95131

TITLE

56C2, 56-ball (8 x 7 Array), 7 x 10 x 1.0 mm Body, 0.75 mm Ball Pitch
Ceramic Ball Grid Array Package (CBGA)

DRAWING NO.

56C2

REV.

A

40. Revision History

Revision No.	History
Revision A – March 2004	<ul style="list-style-type: none"> Initial Release
Revision B – April 2004	<ul style="list-style-type: none"> Timing diagrams on pages 31, 32, and 33 were changed such that the default state is now shown as a solid line (shown as dashed line before). Added a note in the “Burst Configuration Register Table” regarding the use of Clock Latency of Two. Wrap option removed on pages 3, 21 and 22.
Revision C – January 2005	<ul style="list-style-type: none"> Converted datasheet to New Template. Removed “Preliminary” from the datasheet. Changed the V_{PP} value to 9.5V + 0.5V in the text, table on page 19, and CFI table. V_{PP} text also changed to show that a high voltage on V_{PP} improves only the programming time. Changed the I_{SB1} spec to 35 μA. Modified note 11 and added note 12 on page 19. Modified note 1 and added note 2 on page 20. Modified the B15 section in the “Burst Configuration Register Table” on page 21



Atmel Corporation

2325 Orchard Parkway
San Jose, CA 95131, USA
Tel: 1(408) 441-0311
Fax: 1(408) 487-2600

Regional Headquarters

Europe

Atmel Sarl
Route des Arsenalux 41
Case Postale 80
CH-1705 Fribourg
Switzerland
Tel: (41) 26-426-5555
Fax: (41) 26-426-5500

Asia

Room 1219
Chinachem Golden Plaza
77 Mody Road Tsimshatsui
East Kowloon
Hong Kong
Tel: (852) 2721-9778
Fax: (852) 2722-1369

Japan

9F, Tonetsu Shinkawa Bldg.
1-24-8 Shinkawa
Chuo-ku, Tokyo 104-0033
Japan
Tel: (81) 3-3523-3551
Fax: (81) 3-3523-7581

Atmel Operations

Memory

2325 Orchard Parkway
San Jose, CA 95131, USA
Tel: 1(408) 441-0311
Fax: 1(408) 436-4314

Microcontrollers

2325 Orchard Parkway
San Jose, CA 95131, USA
Tel: 1(408) 441-0311
Fax: 1(408) 436-4314

La Chantrerie
BP 70602
44306 Nantes Cedex 3, France
Tel: (33) 2-40-18-18-18
Fax: (33) 2-40-18-19-60

ASIC/ASSP/Smart Cards

Zone Industrielle
13106 Rousset Cedex, France
Tel: (33) 4-42-53-60-00
Fax: (33) 4-42-53-60-01

1150 East Cheyenne Mtn. Blvd.
Colorado Springs, CO 80906, USA
Tel: 1(719) 576-3300
Fax: 1(719) 540-1759

Scottish Enterprise Technology Park
Maxwell Building
East Kilbride G75 0QR, Scotland
Tel: (44) 1355-803-000
Fax: (44) 1355-242-743

RF/Automotive

Theresienstrasse 2
Postfach 3535
74025 Heilbronn, Germany
Tel: (49) 71-31-67-0
Fax: (49) 71-31-67-2340

1150 East Cheyenne Mtn. Blvd.
Colorado Springs, CO 80906, USA
Tel: 1(719) 576-3300
Fax: 1(719) 540-1759

Biometrics/Imaging/Hi-Rel MPU/ High Speed Converters/RF Datacom

Avenue de Rochepleine
BP 123
38521 Saint-Egreve Cedex, France
Tel: (33) 4-76-58-30-00
Fax: (33) 4-76-58-34-80

Literature Requests

www.atmel.com/literature

Disclaimer: The information in this document is provided in connection with Atmel products. No license, express or implied, by estoppel or otherwise, to any intellectual property right is granted by this document or in connection with the sale of Atmel products. **EXCEPT AS SET FORTH IN ATMEL'S TERMS AND CONDITIONS OF SALE LOCATED ON ATMEL'S WEB SITE, ATMEL ASSUMES NO LIABILITY WHATSOEVER AND DISCLAIMS ANY EXPRESS, IMPLIED OR STATUTORY WARRANTY RELATING TO ITS PRODUCTS INCLUDING, BUT NOT LIMITED TO, THE IMPLIED WARRANTY OF MERCHANTABILITY, FITNESS FOR A PARTICULAR PURPOSE, OR NON-INFRINGEMENT. IN NO EVENT SHALL ATMEL BE LIABLE FOR ANY DIRECT, INDIRECT, CONSEQUENTIAL, PUNITIVE, SPECIAL OR INCIDENTAL DAMAGES (INCLUDING, WITHOUT LIMITATION, DAMAGES FOR LOSS OF PROFITS, BUSINESS INTERRUPTION, OR LOSS OF INFORMATION) ARISING OUT OF THE USE OR INABILITY TO USE THIS DOCUMENT, EVEN IF ATMEL HAS BEEN ADVISED OF THE POSSIBILITY OF SUCH DAMAGES.** Atmel makes no representations or warranties with respect to the accuracy or completeness of the contents of this document and reserves the right to make changes to specifications and product descriptions at any time without notice. Atmel does not make any commitment to update the information contained herein. Atmel's products are not intended, authorized, or warranted for use as components in applications intended to support or sustain life.

© Atmel Corporation 2005. All rights reserved. Atmel®, logo and combinations thereof, and others, are registered trademarks, and Everywhere You AreSM and others are the trademarks of Atmel Corporation or its subsidiaries. Other terms and product names may be trademarks of others.



Printed on recycled paper.