



Wide-Temperature, Precision INSTRUMENTATION AMPLIFIER

FEATURES

- **PRECISION**
 - LOW OFFSET: 100 μ V (max)
 - LOW OFFSET DRIFT: 0.4 μ V/ $^{\circ}$ C (max)
 - EXCELLENT LONG-TERM STABILITY
 - VERY-LOW 1/f NOISE
- **SMALL SIZE**
 - micro*PACKAGE: MSOP-8, MSOP-10
- **LOW COST**

APPLICATIONS

- LOW-LEVEL TRANSDUCER AMPLIFIER FOR BRIDGES, LOAD CELLS, THERMOCOUPLES
- WIDE DYNAMIC RANGE SENSOR MEASUREMENTS
- HIGH-RESOLUTION TEST SYSTEMS
- WEIGH SCALES
- MULTI-CHANNEL DATA ACQUISITION SYSTEMS
- MEDICAL INSTRUMENTATION
- AUTOMOTIVE APPLICATIONS
- GENERAL-PURPOSE

DESCRIPTION

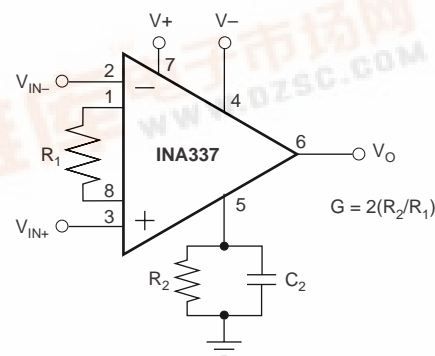
The INA337 and INA338 (with shutdown) are high temperature, high-performance, low-cost, precision instrumentation amplifiers. They are true single-supply instrumentation amplifiers with very-low DC errors and input common-mode ranges that extends beyond the positive and approaches the negative rail. These features make them suitable for applications ranging from general-purpose to high-accuracy.

Excellent long-term stability and very low 1/f noise assure low offset voltage and drift throughout the life of the product.

The INA337 (without shutdown) comes in the MSOP-8 package. The INA338 (with shutdown) is offered in MSOP-10. Both are specified over the temperature range, -40° C to $+125^{\circ}$ C.

INA337 AND INA338 RELATED PRODUCTS

PRODUCT	FEATURES
INA326	Precision, Rail-to-Rail I/O, 2.4mA I _Q
INA114	50 μ V V _{OS} , 0.5nA I _B , 115dB CMR, 3mA I _O , 0.25 μ V/ $^{\circ}$ C drift
INA118	50 μ V V _{OS} , 1nA I _B , 120dB CMR, 385 μ A I _O , 0.5 μ V/ $^{\circ}$ C drift
INA122	250 μ V V _{OS} , -10nA I _B , 85 μ A I _O , Rail-to-Rail Output, 3 μ V/ $^{\circ}$ C drift
INA128	50 μ V V _{OS} , 2nA I _B , 125dB CMR, 750 μ A I _O , 0.5 μ V/ $^{\circ}$ C drift
INA321	500 μ V V _{OS} , 0.5pA I _B , 94dB CMRR, 60 μ A I _O , Rail-to-Rail Output



Please be aware that an important notice concerning availability, standard warranty, and use in critical applications of Texas Instruments semiconductor products and disclaimers thereto appears at the end of this data sheet.

PACKAGE/ORDERING INFORMATION

PRODUCT	PACKAGE-LEAD	PACKAGE DESIGNATOR ⁽¹⁾	SPECIFIED TEMPERATURE RANGE	PACKAGE MARKING	ORDERING NUMBER	TRANSPORT MEDIA, QUANTITY
INA337	MSOP-8	DGK	-40°C to +125°C	BIM	INA337AIDGKT	Tape and Reel, 250
"	"	"	"	"	INA337AIDGKR	Tape and Reel, 2500
INA338	MSOP-10	DGS	-40°C to +125°C	BIL	INA338AIDGST	Tape and Reel, 250
"	"	"	"	"	INA338AIDGSR	Tape and Reel, 2500

NOTE: (1) For the most current specifications and package information, refer to our web site at www.ti.com.

ABSOLUTE MAXIMUM RATINGS⁽¹⁾

Supply Voltage	+5.5V
Signal Input Terminals: Voltage ⁽²⁾	-0.5V to (V+) + 0.5V
Current ⁽²⁾	±10mA
Output Short-Circuit	Continuous
Operating Temperature Range	-40°C to +150°C
Storage Temperature Range	-65°C to +150°C
Junction Temperature	+150°C
Lead Temperature (soldering, 10s)	+300°C

NOTES: (1) Stresses above these ratings may cause permanent damage. Exposure to absolute maximum conditions for extended periods may degrade device reliability. These are stress ratings only, and functional operation of the device at these or any other conditions beyond those specified is not implied.
 (2) Input terminals are diode clamped to the power-supply rails. Input signals that can swing more than 0.5V beyond the supply rails should be current limited to 10mA or less.

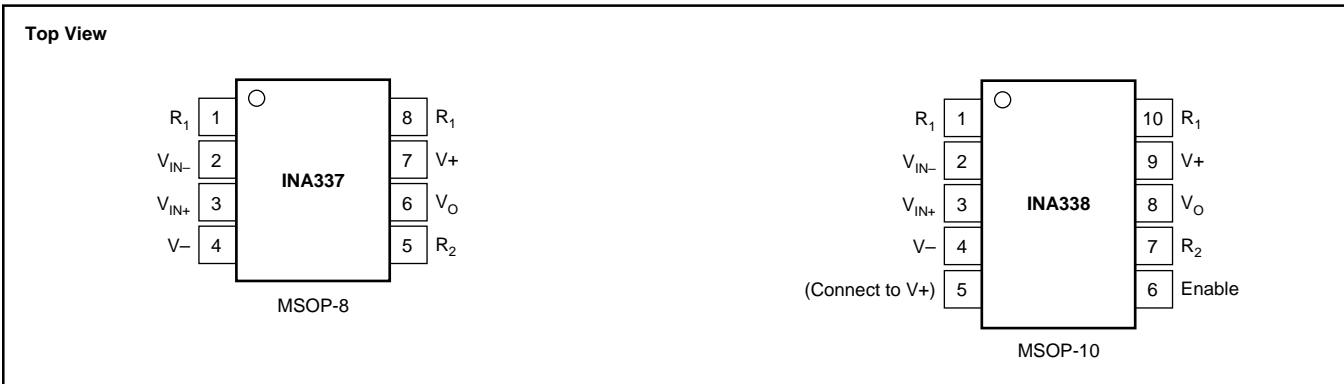


ELECTROSTATIC DISCHARGE SENSITIVITY

This integrated circuit can be damaged by ESD. Texas Instruments recommends that all integrated circuits be handled with appropriate precautions. Failure to observe proper handling and installation procedures can cause damage.

ESD damage can range from subtle performance degradation to complete device failure. Precision integrated circuits may be more susceptible to damage because very small parametric changes could cause the device not to meet its published specifications.

PIN CONFIGURATION



ELECTRICAL CHARACTERISTICS: $V_S = +2.7V$ to $+5.5V$

BOLDFACE limits apply over the specified temperature range, $T_A = -40^\circ C$ to $+125^\circ C$

At $T_A = +25^\circ C$, $R_L = 10k\Omega$, $G = 100$ ($R_1 = 2k\Omega$, $R_2 = 100k\Omega$), external gain set resistors, and $I_{A_{COMMON}} = V_S/2$, with external equivalent filter corner of 1kHz filters, unless otherwise noted.

PARAMETER	CONDITION	INA337AIDGK, INA338AIDGS			UNITS
		MIN	TYP	MAX	
INPUT					
Offset Voltage, RTI Over Temperature vs Temperature vs Power Supply Long-Term Stability	V_{OS} $V_S = +5V, V_{CM} = V_S/2$ dV_{OS}/dT PSR $V_S = +2.7V$ to $+5.5V, V_{CM} = V_S/2$		± 20 ± 0.1 ± 3 See Note (1)	± 100 ± 140 ± 0.4	μV μV $\mu V/^\circ C$ $\mu V/V$
Input Impedance, Differential Common-Mode			$10^{10} \parallel 2$ $10^{10} \parallel 14$		$\Omega \parallel pF$ $\Omega \parallel pF$
Input Voltage Range Safe Input Voltage Common-Mode Rejection Over Temperature	CMR $V_S = +5V, V_{CM} = (V-) + 0.25V$ to $(V+) + 0.1V$	$(V-) + 0.25$ $(V-) - 0.5$ 106 100	120	$(V+) + 0.1$ $(V+) + 0.5$	V V dB dB
INPUT BIAS CURRENT					
Bias Current vs Temperature	I_B $V_{CM} = V_S/2$ $V_S = +5V$		± 0.2 See Typical Characteristics	± 2	nA
Offset Current	I_{OS} $V_S = +5V$		± 0.2	± 2	nA
NOISE					
Voltage Noise, RTI f = 10Hz f = 100Hz f = 1kHz f = 0.01Hz to 10Hz	$R_S = 0\Omega, G = 100, R_1 = 2k\Omega, R_2 = 100k\Omega$		33 33 33 0.8		nV/\sqrt{Hz} nV/\sqrt{Hz} nV/\sqrt{Hz} $\mu Vp-p$
Voltage Noise, RTI f = 10Hz f = 100Hz f = 1kHz f = 0.01Hz to 10Hz	$R_S = 0\Omega, G = 10, R_1 = 20k\Omega, R_2 = 100k\Omega$		120 97 97 4		nV/\sqrt{Hz} nV/\sqrt{Hz} nV/\sqrt{Hz} $\mu Vp-p$
Current Noise, RTI f = 1kHz f = 0.01Hz to 10Hz			0.15 4.2		pA/\sqrt{Hz} $pA-p$
Output Ripple, V_O Filtered ⁽²⁾			See Applications Information		
GAIN					
Gain Equation Range of Gain Gain Error ⁽³⁾ vs Temperature Nonlinearity	$G = 10, 100, V_S = +5V, V_O = 0.25V$ to $4.925V$ $G = 10, 100, V_S = +5V, V_O = 0.25V$ to $4.925V$ $G = 10, 100, V_S = +5V, V_O = 0.25V$ to $4.925V$	< 0.1	$G = 2(R_2/R_1)$ 0.08 ± 6 ± 0.003	> 10000 ± 0.2 ± 25 ± 0.01	V/V % ppm/ $^\circ C$ % of FS
OUTPUT					
Voltage Output Swing from Positive Rail Over Temperature	$R_L = 10k\Omega, V_S = 5V$	$(V+) - 0.075$ $(V+) - 0.075$	$(V+) - 0.01$		V V
Voltage Output Swing from Negative Rail Over Temperature	$R_L = 10k\Omega, V_S = 5V$	$(V-) + 0.25$ $(V-) + 0.25$	$(V+) + 0.01$		V V
Capacitive Load Drive Short-Circuit Current	I_{SC}		500 ± 25		pF mA
INTERNAL OSCILLATOR					
Frequency of Auto-Correction Accuracy			90 ± 20		kHz %
FREQUENCY RESPONSE					
Bandwidth ⁽⁴⁾ , -3dB Slew Rate ⁽⁴⁾ Settling Time ⁽⁴⁾ , 0.1% 0.01% 0.1% 0.01%	BW SR t_s 1kHz Filter, $G = 1$ to $1k, V_O = 2V$ step, $C_L = 100pF$ 10kHz Filter, $G = 1$ to $1k, V_O = 2V$ step, $C_L = 100pF$	$G = 1$ to $1k$ $V_S = 5V$, All Gains, $C_L = 100pF$	1 Filter Limited 0.95 1.3 130 160		kHz ms ms μs μs μs
Overload Recovery ⁽⁴⁾	1kHz Filter, 50% Output Overload, $G = 1$ to $1k$ 10kHz Filter, 50% Output Overload, $G = 1$ to $1k$		30 5		μs μs

ELECTRICAL CHARACTERISTICS: $V_S = +2.7V$ to $+5.5V$ (Cont.)

BOLDFACE limits apply over the specified temperature range, $T_A = -40^{\circ}C$ to $+125^{\circ}C$

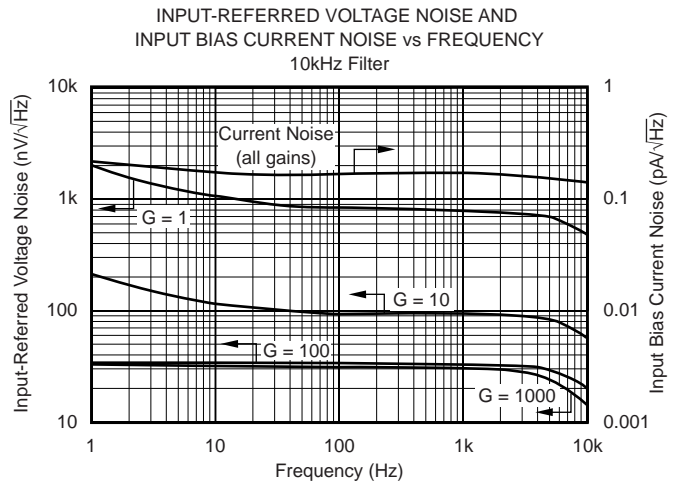
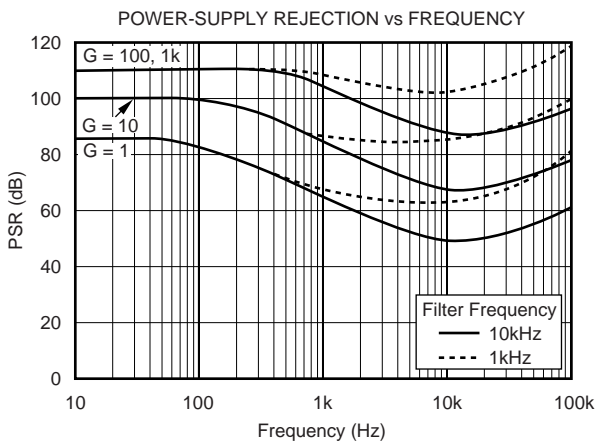
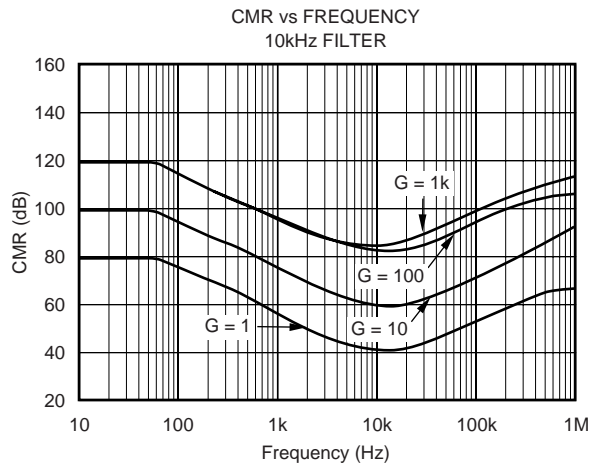
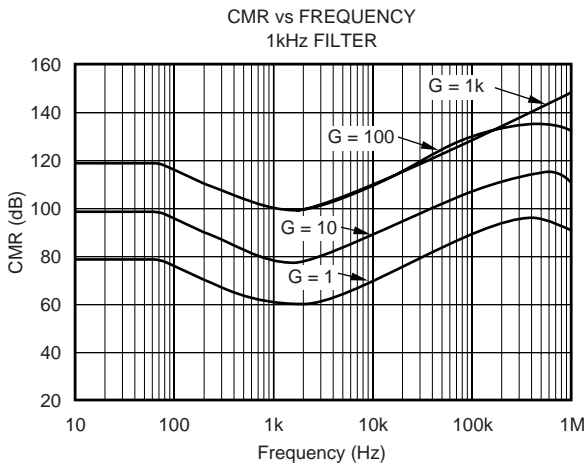
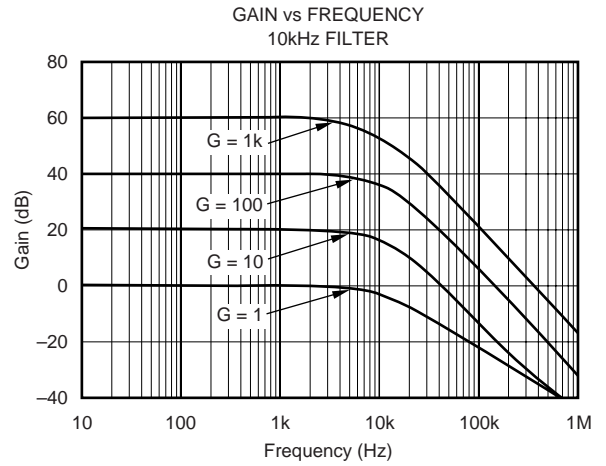
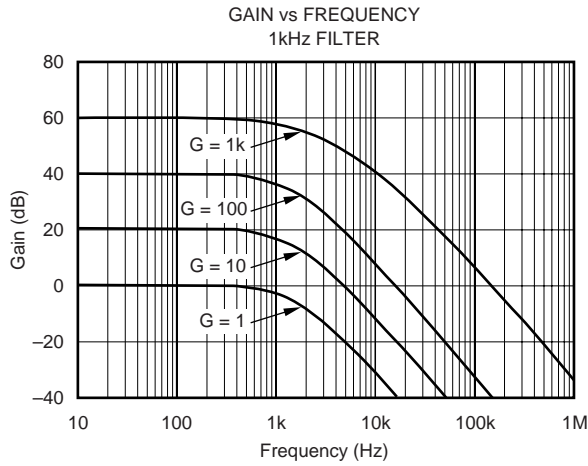
At $T_A = +25^{\circ}C$, $R_L = 10k\Omega$, $G = 100$ ($R_1 = 2k\Omega$, $R_2 = 100k\Omega$), external gain set resistors, and $I_{A_{COMMON}} = V_S/2$, with external equivalent filter corner of 1kHz filters, unless otherwise noted.

PARAMETER	CONDITION	INA337AIDGK, INA338AIDGS			UNITS
		MIN	TYP	MAX	
POWER SUPPLY					
Specified Voltage Range		+2.7		+5.5	V
Quiescent Current	I_Q		2.4	3.4	mA
Over Temperature	$I_Q = 0$, Diff $V_{IN} = 0V$, $V_S = +5V$			3.7	mA
SHUTDOWN					
Disable (Logic-Low Threshold)				0.25	V
Enable (Logic-High Threshold)		1.6			V
Enable Time ⁽⁵⁾			75		μs
Disable Time			100		μs
Shutdown Current and Enable Pin Current	$V_S = +5V$, Disabled		2	5	μA
TEMPERATURE RANGE					
Specified Range		-40		+125	$^{\circ}C$
Operating Range		-40		+150	$^{\circ}C$
Storage Range		-65		+150	$^{\circ}C$
Thermal Resistance	θ_{JA} MSOP-8 Surface-Mount		150		$^{\circ}C/W$

NOTES: (1) 1000-hour life test at $150^{\circ}C$ demonstrated randomly distributed variation in the range of measurement limits—approximately $10\mu V$. (2) See Applications Information section, Figures 1 and 2. (3) Does not include Error and TCR of external gain-setting resistors. (4) Dynamic response is limited by filtering. Higher bandwidths can be achieved by adjusting the filter. (5) See Typical Characteristics, "Input Offset Voltage vs Warm-Up Time".

TYPICAL CHARACTERISTICS

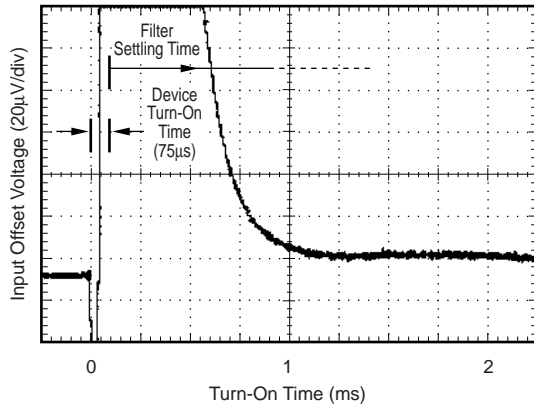
At $T_A = 25^\circ\text{C}$, $V_S = +5\text{V}$, Gain = 100, $R_L = 10\text{k}\Omega$ with external equivalent filter corner of 1kHz filters, unless otherwise noted.



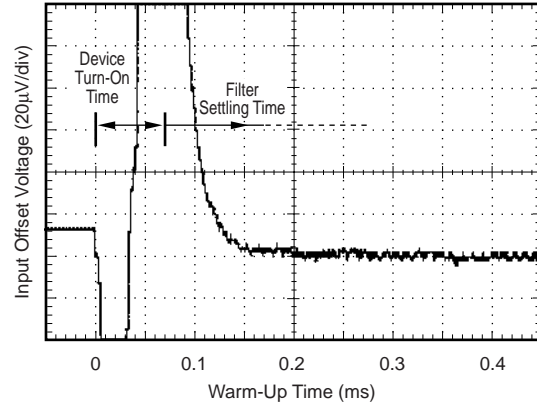
TYPICAL CHARACTERISTICS (Cont.)

At $T_A = 25^\circ\text{C}$, $V_S = +5\text{V}$, Gain = 100, $R_L = 10\text{k}\Omega$ with external equivalent filter corner of 1kHz filters, unless otherwise noted.

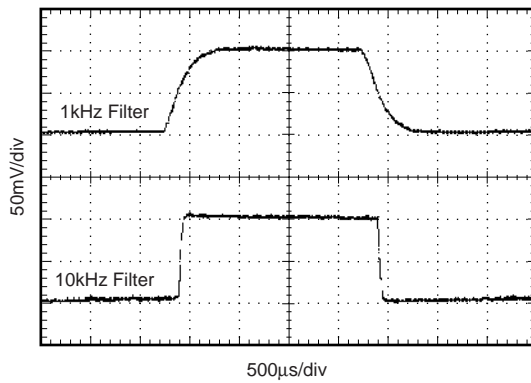
INPUT OFFSET VOLTAGE vs TURN-ON TIME
1kHz FILTER, G = 100



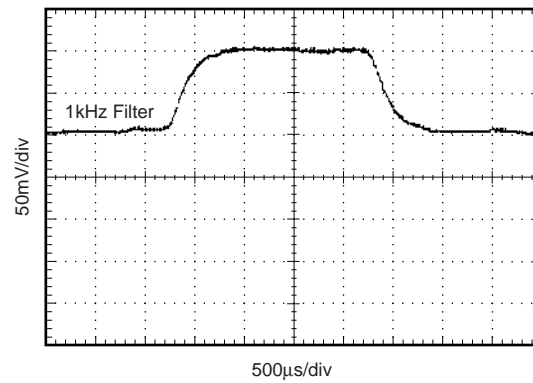
INPUT OFFSET VOLTAGE vs WARM-UP TIME
10kHz FILTER, G = 100



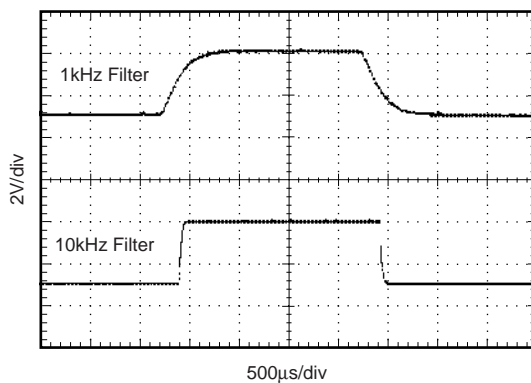
SMALL-SIGNAL RESPONSE
G = 1, 10, AND 100



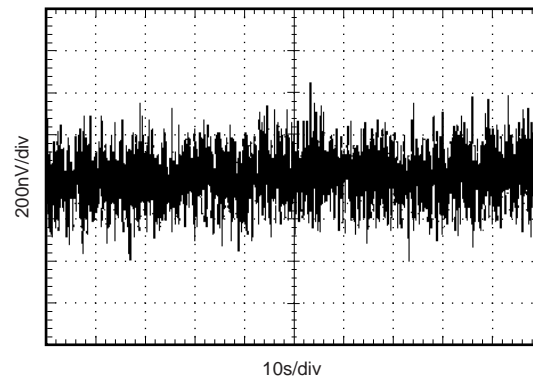
SMALL-SIGNAL STEP RESPONSE
G = 1000



LARGE-SIGNAL RESPONSE
G = 1 TO 1000

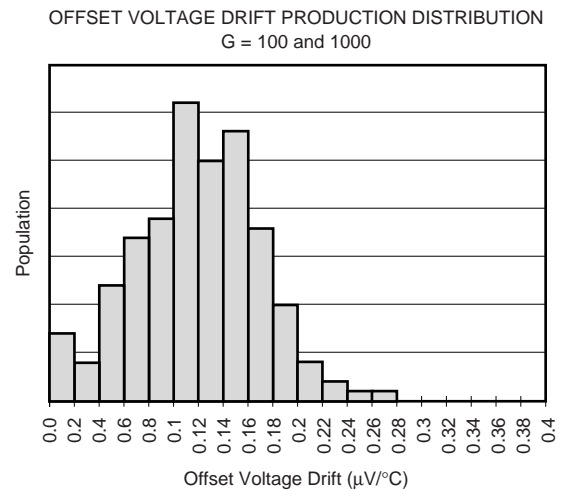
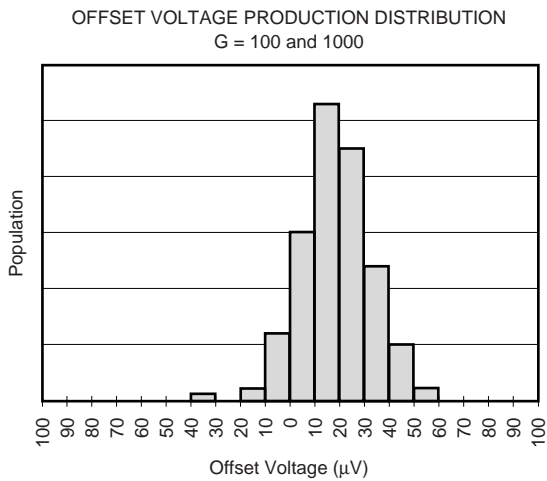
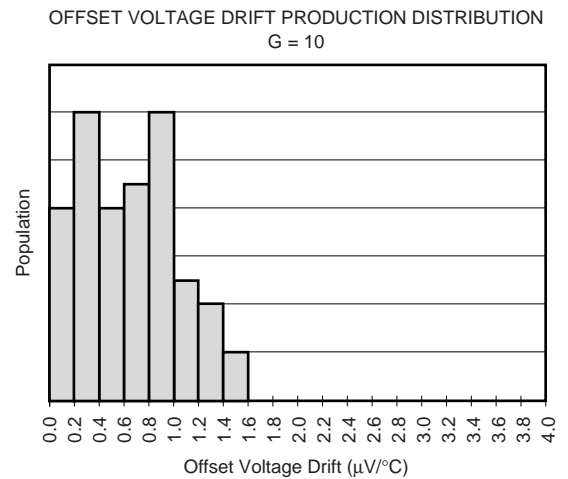
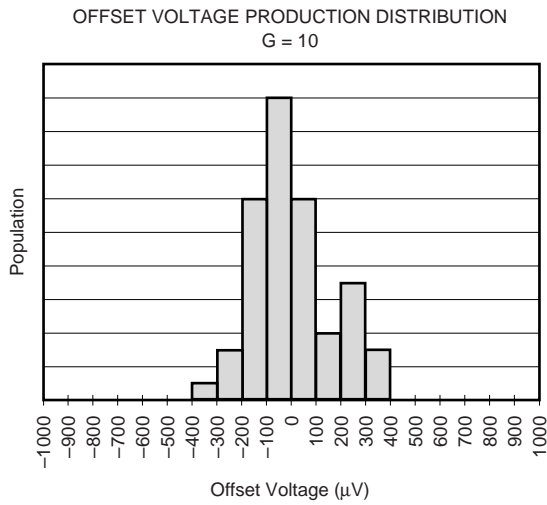
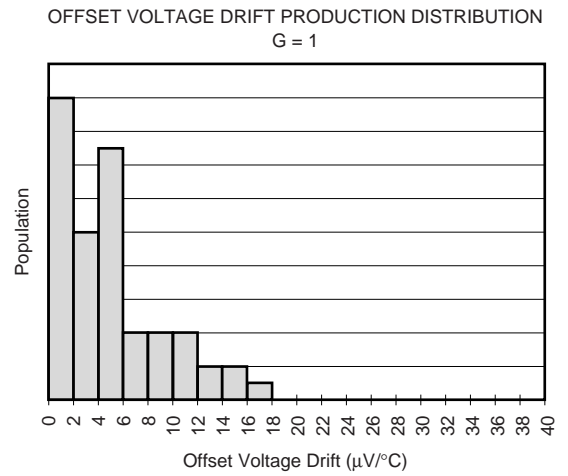
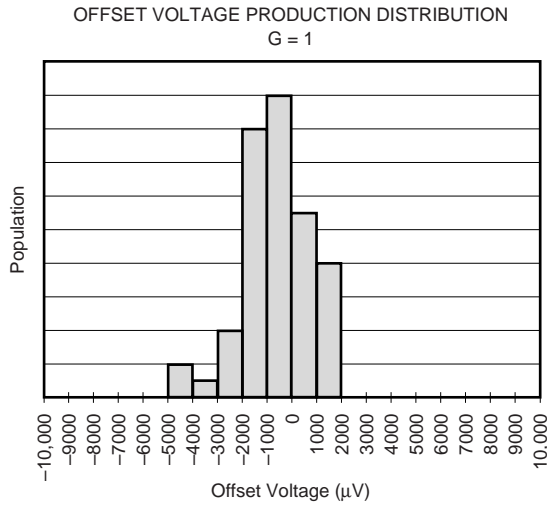


0.01Hz TO 10Hz VOLTAGE NOISE



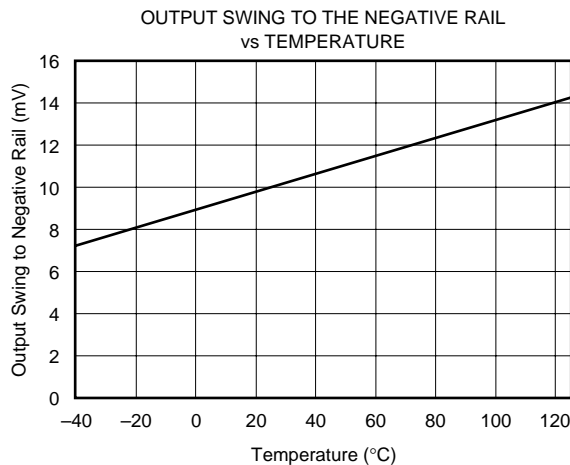
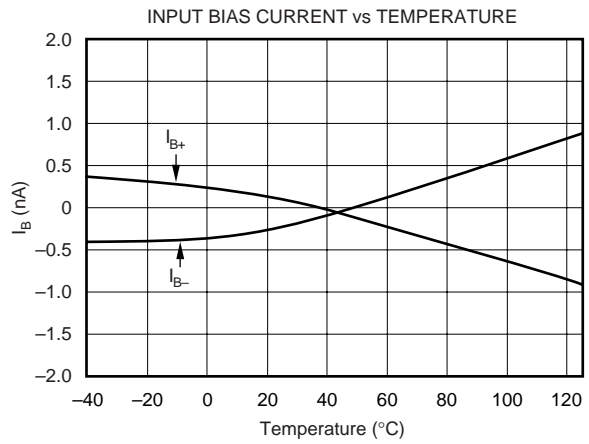
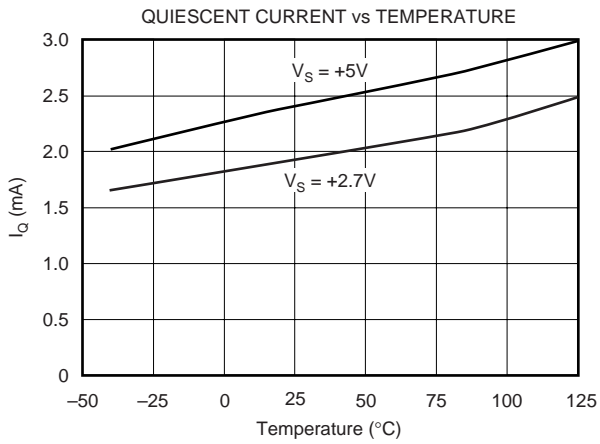
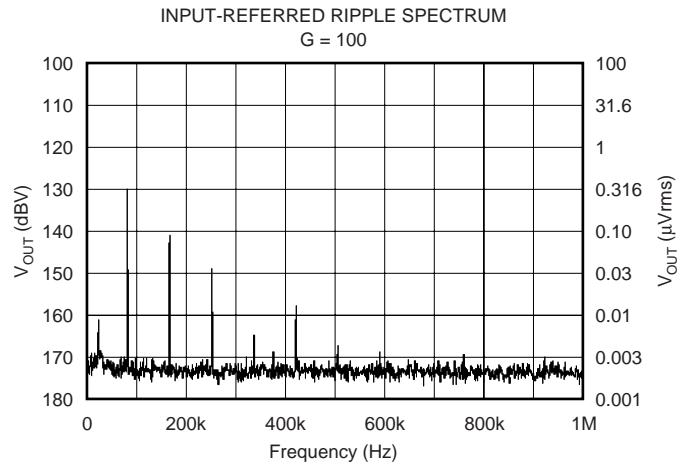
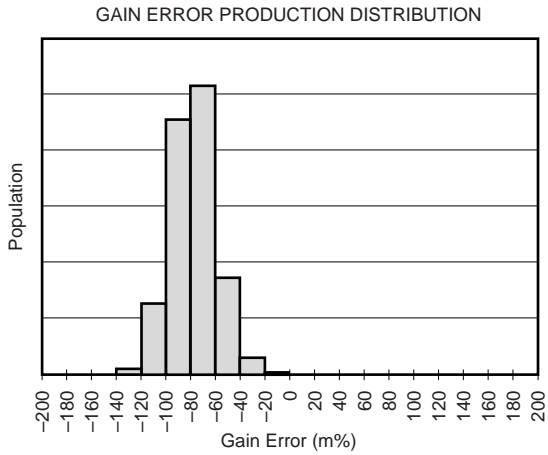
TYPICAL CHARACTERISTICS (Cont.)

At $T_A = 25^\circ\text{C}$, $V_S = +5\text{V}$, Gain = 100, $R_L = 10\text{k}\Omega$ with external equivalent filter corner of 1kHz filters, unless otherwise noted.



TYPICAL CHARACTERISTICS (Cont.)

At $T_A = 25^\circ\text{C}$, $V_S = +5\text{V}$, Gain = 100, $R_L = 10\text{k}\Omega$ with external equivalent filter corner of 1kHz filters, unless otherwise noted.



APPLICATIONS INFORMATION

Figure 1 shows the basic connections required for operation of the INA337. A 0.1µF capacitor, placed close to and across the power-supply pins is strongly recommended for highest accuracy. R_OC_O is an output filter that minimizes auto-correction circuitry noise. This output filter may also serve as an anti-aliasing filter ahead of an Analog-to-Digital (A/D) converter. It is also optional based on desired precision.

The output reference terminal is taken at the low side of R₂ (I_{A,COMMON}).

The INA337 uses a unique internal topology to achieve excellent common-mode rejection (CMR). Unlike conventional instrumentation amplifiers, CMR is not affected by resistance in the reference connections. See "Inside the INA337" for further detail. To achieve best high-frequency CMR, minimize capacitance on pins 1 and 8.

SETTING THE GAIN

The INA337 is a 2-stage amplifier with each stage gain set by R₁ and R₂, respectively (see Figure 4, "Inside the INA337", for details.) Overall gain is described by the equation:

$$G = \frac{2R_2}{R_1} \quad (1)$$

The stability and temperature drift of the external gain-setting resistors will affect gain by an amount that can be directly inferred from the gain equation (1).

Resistor values for commonly used gains are shown in Figure 1. Gain-set resistor values for best performance are different for +5V single-supply and for ±2.5V dual-supply operation. Optimum value for R₁ can be calculated by:

$$R_1 = V_{IN, MAX}/12.5\mu A \quad (2)$$

where R₁ must be no less than 2kΩ.

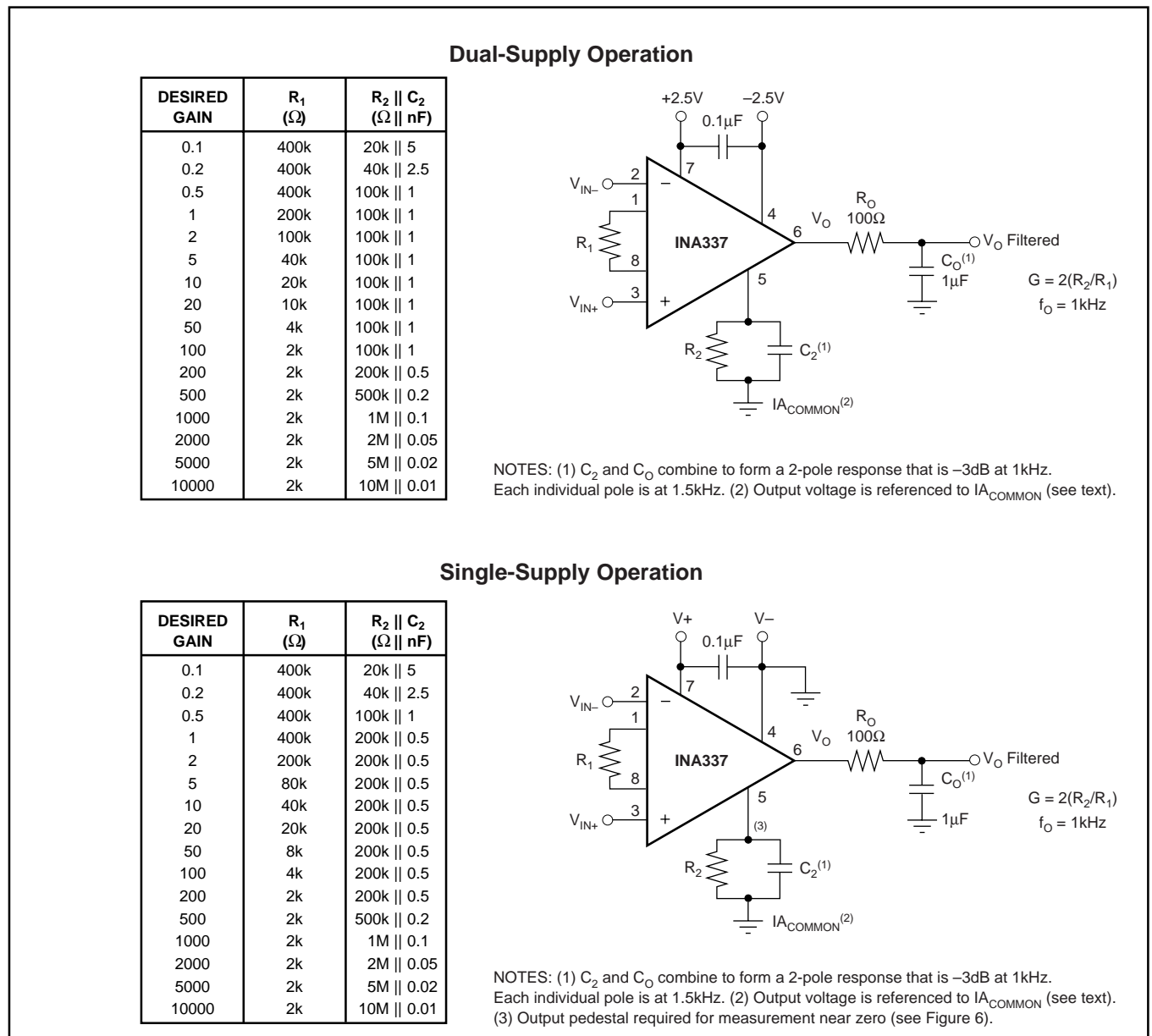


FIGURE 1. Basic Connections. NOTE: Connections for INA338 differ—see Pin Configuration for detail.

Following this design procedure for R_1 produces the maximum possible input stage gain for best accuracy and lowest noise.

Circuit layout and supply bypassing can affect performance. Minimize the stray capacitance on pins 1 and 8. Use recommended supply bypassing, including a capacitor directly from pin 7 to pin 4 (V_+ to V_-), even with dual (split) power supplies (see Figure 1).

DYNAMIC PERFORMANCE

The typical characteristic “Gain vs Frequency” shows that the INA337 has nearly constant bandwidth regardless of gain. This results from the bandwidth limiting from the recommended filters.

NOISE PERFORMANCE

Internal auto-correction circuitry eliminates virtually all $1/f$ noise (noise that increases at low frequency) in gains of 100 or greater. Noise performance is affected by gain-setting resistor values. Follow recommendations in the “Setting Gain” section for best performance.

Total noise is a combination of input stage noise and output stage noise. When referred to the input, the total mid-band noise is:

$$V_N = 33\text{nV} / \sqrt{\text{Hz}} + \frac{800\text{nV} / \sqrt{\text{Hz}}}{G} \quad (3)$$

The output noise has some $1/f$ components that affect performance in gains less than 10. See typical characteristic “Input-Referred Voltage Noise vs Frequency.”

High-frequency noise is created by internal auto-correction circuitry and is highly dependent on the filter characteristics chosen. This may be the dominant source of noise visible when viewing the output on an oscilloscope. Low cutoff frequency filters will provide lowest noise. Figure 2 shows the typical noise performance as a function of cutoff frequency.

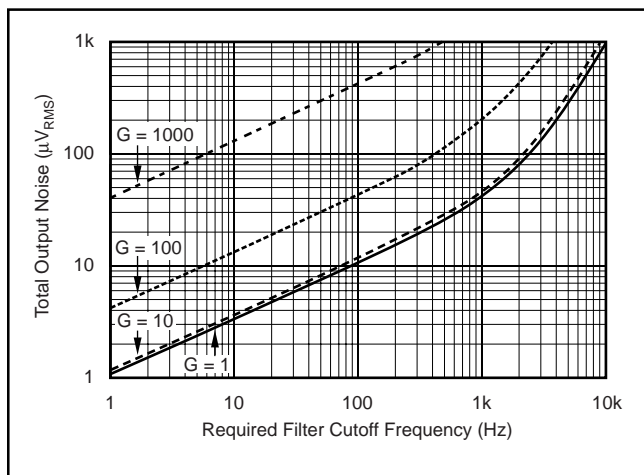


FIGURE 2. Total Output Noise vs Filter Cutoff Frequency.

Applications sensitive to the spectral characteristics of high-frequency noise may require consideration of the spurious frequencies generated by internal clocking circuitry. “Spurs” occur at approximately 90kHz and its harmonics (see typical characteristic “Input Referred Ripple”) which may be reduced by additional filtering below 1kHz.

Insufficient filtering at pin 5 can cause nonlinearity with large output voltage swings (very near the supply rails). Noise must be sufficiently filtered at pin 5 so that noise peaks do not “hit the rail” and change the average value of the signal. Figure 2 shows guidelines for filter cutoff frequency.

HIGH-FREQUENCY NOISE

C_2 and C_O form filters to reduce internally generated auto-correction circuitry noise. Filter frequencies can be chosen to optimize the tradeoff between noise and frequency response of the application, as shown in Figure 2. The cutoff frequencies of the filters are generally set to the same frequency. Figure 2 shows the typical output noise for four gains as a function of the -3dB cutoff frequency of each filter response. Small signals may exhibit the addition of internally generated auto-correction circuitry noise at the output. This noise, combined with broadband noise, becomes most evident in higher gains with filters of wider bandwidth.

INPUT BIAS CURRENT RETURN PATH

The input impedance of the INA337 is extremely high—approximately $10^{10}\Omega$. However, a path must be provided for the input bias current of both inputs. This input bias current is approximately $\pm 0.2\text{nA}$. High input impedance means that this input bias current changes very little with varying input voltage.

Input circuitry must provide a path for this input bias current for proper operation. Figure 3 shows provisions for an input bias current path in a thermocouple application. Without a bias current path, the inputs will float to an undefined potential and the output voltage may not be valid.

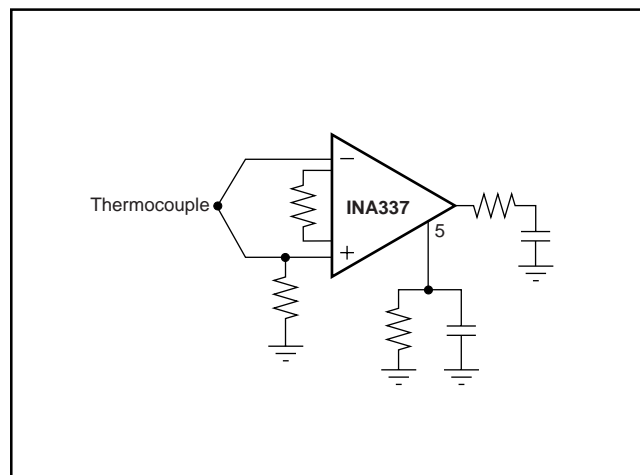


FIGURE 3. Providing Input Bias Current Return Path.

INPUT AND OUTPUT VOLTAGE

The INA337 and INA338 feature nearly rail-to-rail input behavior, with the linear input voltage range extending from 0.25V above the negative rail to 0.1V above the positive rail. The output is able to swing to within 0.25V of the negative rail and 0.075V of the positive rail. See Typical Characteristics Curve “Output Swing to the Negative Rail” for additional detail.

INPUT PROTECTION

The inputs of the INA337 are protected with internal diodes connected to the power-supply rails. These diodes will clamp the applied signal to prevent it from damaging the input circuitry. If the input signal voltage can exceed the power supplies by more than 0.5V, the input signal current should be limited to less than 10mA to protect the internal clamp diodes. This can generally be done with a series input resistor. Some signal sources are inherently current-limited and do not require limiting resistors.

INSIDE THE INA337

The INA337 uses a new, unique internal circuit topology that provides near rail-to-rail input. Unlike other instrumentation amplifiers, it can linearly process inputs from 0.25V above the negative rail to 0.1V beyond the positive rail. Conventional instrumentation amplifier circuits cannot deliver such performance, even if rail-to-rail op amps are used.

The ability to reject common-mode signals is derived in most instrumentation amplifiers through a combination of amplifier CMR and accurately matched resistor ratios. The INA337 converts the input voltage to a current. Current-mode signal processing provides rejection of common-mode input voltage and power-supply variation without accurately matched resistors.

The topology of the INA337 avoids aliasing issues that appear in instrumentation amplifiers that use sampled data techniques.

A simplified diagram shows the basic circuit function. The differential input voltage, $(V_{IN+}) - (V_{IN-})$ is applied across R_1 . The signal-generated current through R_1 comes from A1 and A2's output stages. A2 combines the current in R_1 with a mirrored replica of the current from A1. The resulting current in A2's output and associated current mirror is two times the current in R_1 . This current flows in (or out) of pin 5 into R_2 . The resulting gain equation is:

$$G = \frac{2R_2}{R_1}$$

Amplifiers A1, A2 and their associated mirrors are powered from internal charge-pumps that provide voltage supplies that are beyond the positive negative supply. As a result, the voltage developed on R_2 can actually swing 100mV *above* the positive power-supply rail. A3 provides a buffered output of the voltage on R_2 . A3's input stage is also operated from the charge-pumped power supplies for true rail-to-rail operation.

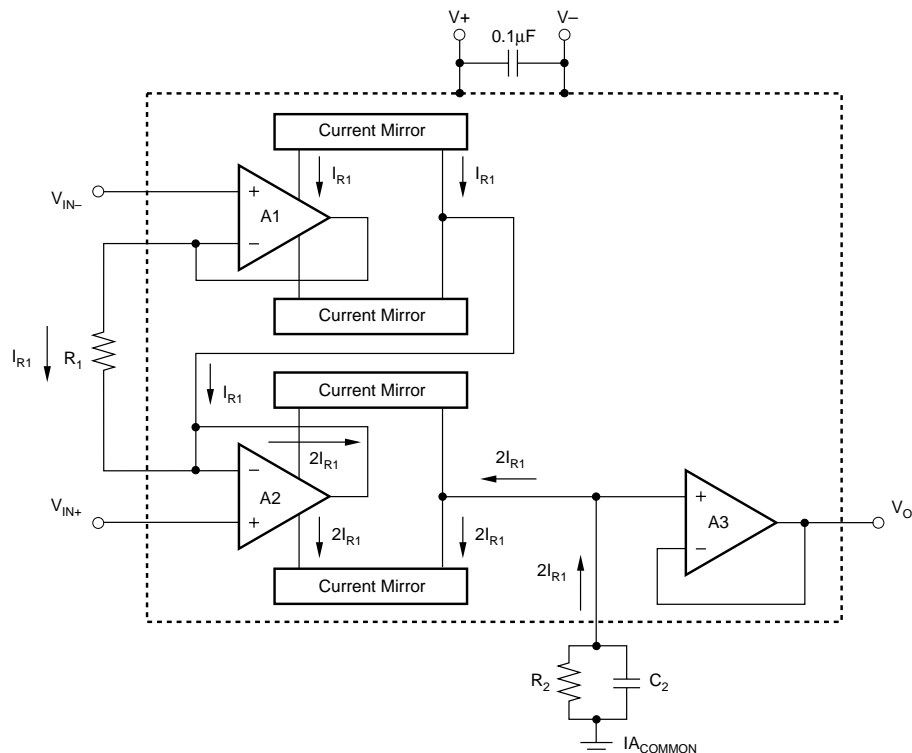


FIGURE 4. Simplified Circuit Diagram.

FILTERING

Filtering can be adjusted through selection of R_2C_2 and R_0C_0 for the desired tradeoff of noise and bandwidth. Adjustment of these components will result in more or less ripple due to auto-correction circuitry noise and will also affect broadband noise. Filtering limits slew rate, settling time, and output overload recovery time.

It is generally desirable to keep the resistance of R_0 relatively low to avoid DC gain error created by the subsequent stage loading. This may result in relatively high values for C_0 to produce the desired filter response. The impedance of R_0C_0 can be scaled higher to produce smaller capacitor values if the load impedance is very high.

Certain capacitor types greater than $0.1\mu\text{F}$ may have dielectric absorption effects that can significantly increase settling time in high-accuracy applications (settling to 0.01%). Polypropylene, polystyrene, and polycarbonate types are generally good. Certain “high-K” ceramic types may produce slow settling “tails.” Settling time to 0.1% is not generally affected by high-K ceramic capacitors. Electrolytic types are not recommended for C_2 and C_0 .

INA338 ENABLE FUNCTION

The INA338 can be enabled by applying a logic “High” voltage level to the Enable pin. Conversely, a logic “Low” voltage level will disable the amplifier, reducing its supply current from 2.4mA to typically $2\mu\text{A}$. For battery-operated applications, this feature may be used to greatly reduce the average current and extend battery life. This pin should be connected to a valid high or low voltage or driven, not left open circuit. The Enable pin can be modeled as a CMOS input gate as in Figure 5.

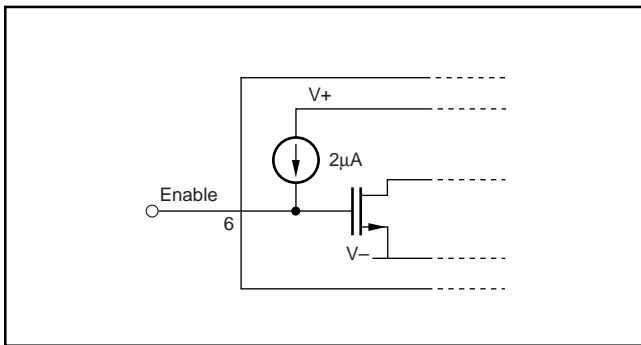


FIGURE 5. Enable Pin Model.

The enable time following shutdown is $75\mu\text{s}$ plus the settling time due to filters (see Typical Characteristics, “Input Offset Voltage vs Warm-up Time”). Disable time is $100\mu\text{s}$. This allows the INA338 to be operated as a “gated” amplifier, or to have its output multiplexed onto a common output bus. When disabled, the output assumes a high-impedance state.

INA338 PIN 5

Pin 5 of the INA338 should be connected to V_+ to ensure proper operation.

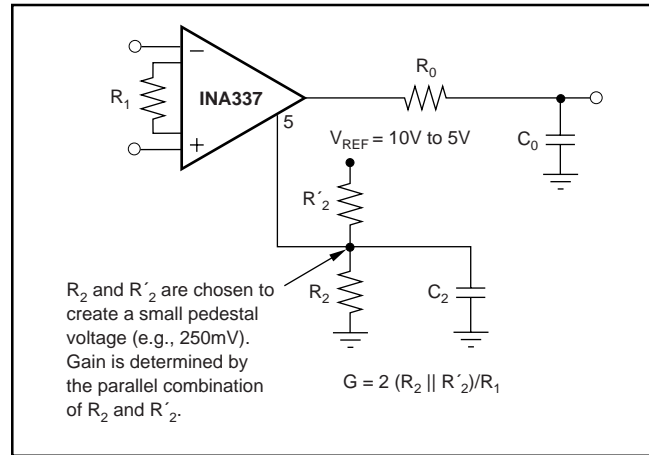


FIGURE 6. Output Range Pedestal.

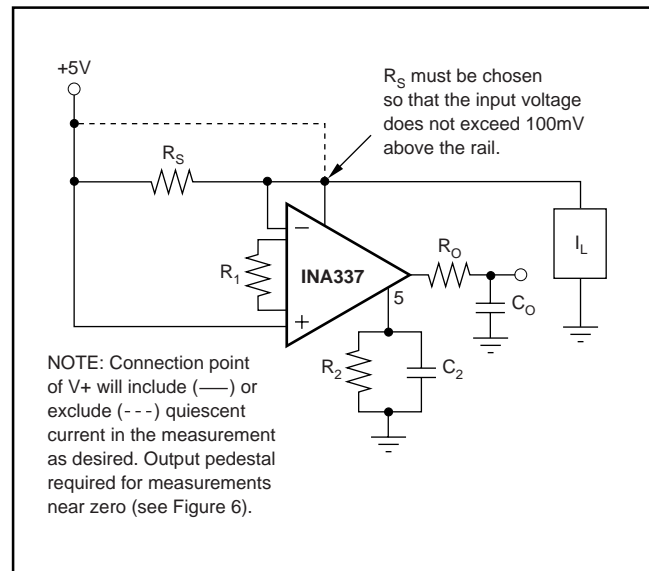


FIGURE 7. High-Side Shunt Measurement of Current Load.

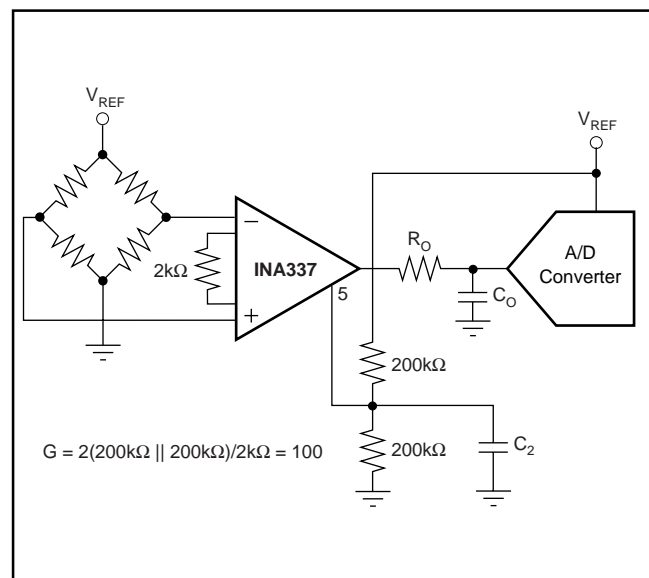
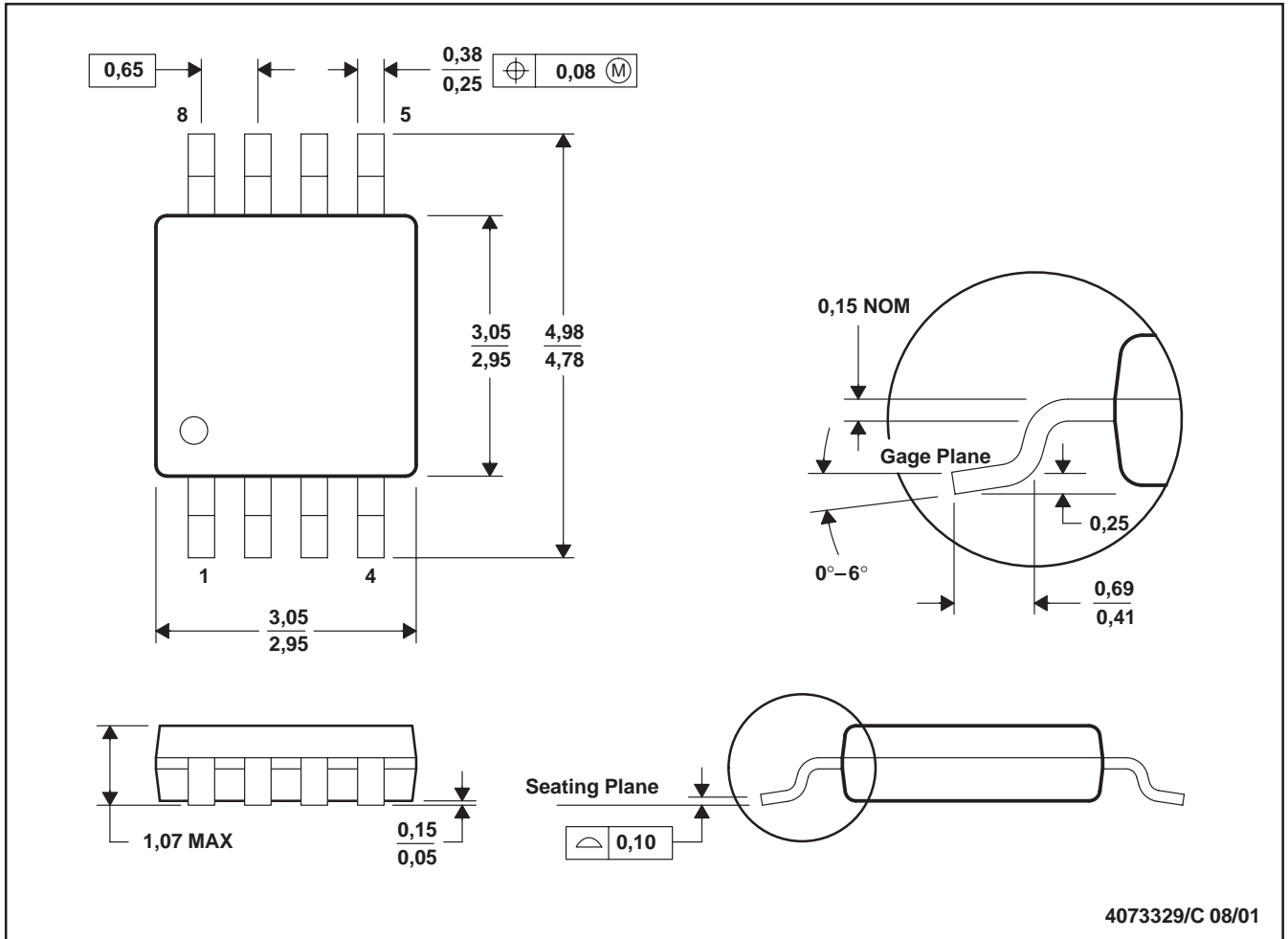


FIGURE 8. Output Referenced to $V_{REF}/2$.

DGK (R-PDSO-G8)

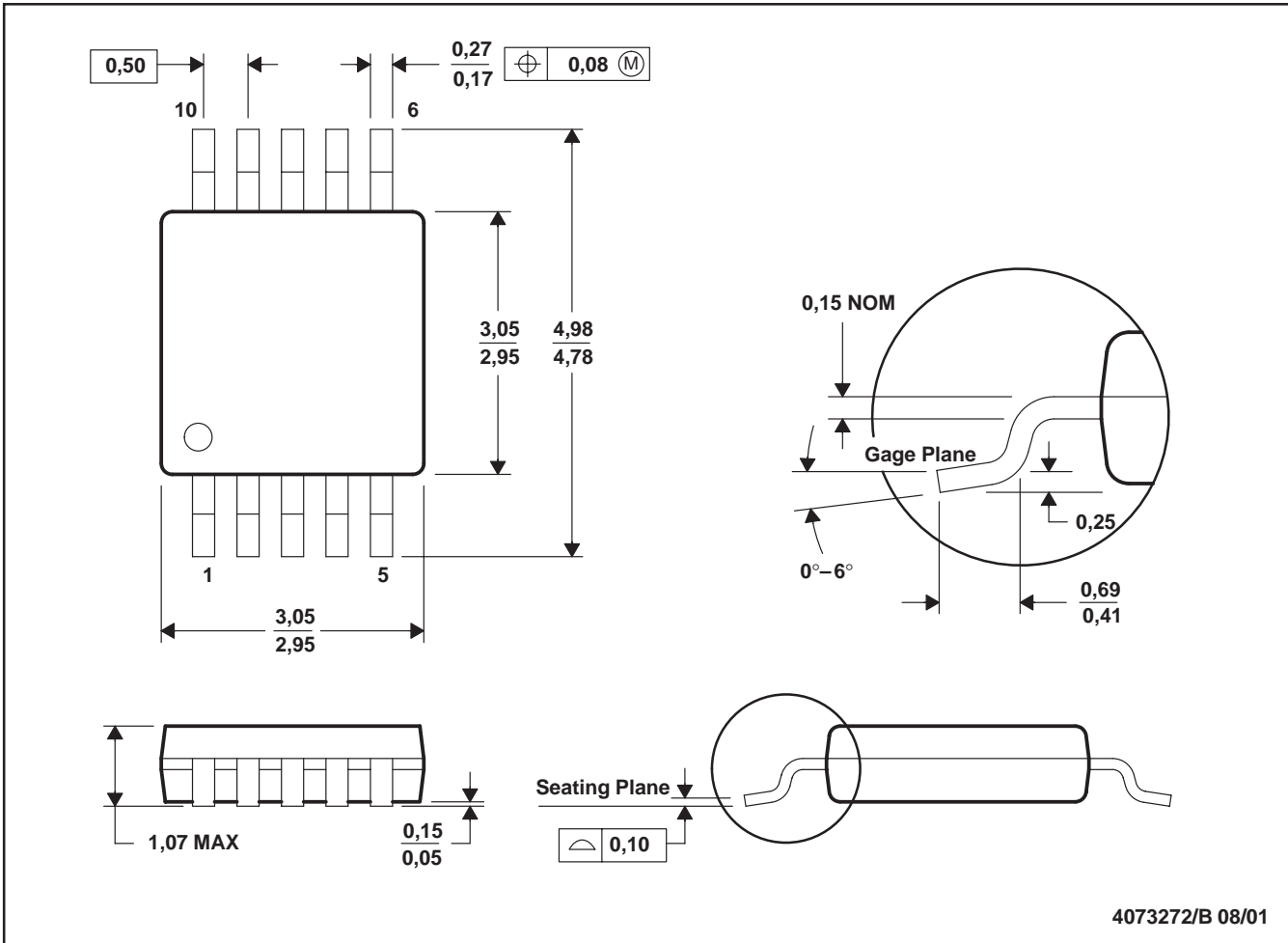
PLASTIC SMALL-OUTLINE PACKAGE



- NOTES: A. All linear dimensions are in millimeters.
 B. This drawing is subject to change without notice.
 C. Body dimensions do not include mold flash or protrusion.
 D. Falls within JEDEC MO-187

DGS (S-PDSO-G10)

PLASTIC SMALL-OUTLINE PACKAGE



- NOTES:
- A. All linear dimensions are in millimeters.
 - B. This drawing is subject to change without notice.
 - C. Body dimensions do not include mold flash or protrusion.
 - A. Falls within JEDEC MO-187

PACKAGING INFORMATION

ORDERABLE DEVICE	STATUS(1)	PACKAGE TYPE	PACKAGE DRAWING	PINS	PACKAGE QTY
INA337AIDGKR	ACTIVE	VSSOP	DGK	8	2500
INA337AIDGKT	ACTIVE	VSSOP	DGK	8	250
INA338AIDGSR	ACTIVE	VSSOP	DGS	10	2500
INA338AIDGST	ACTIVE	VSSOP	DGS	10	250

(1) The marketing status values are defined as follows:

ACTIVE: Product device recommended for new designs.

LIFEBUY: TI has announced that the device will be discontinued, and a lifetime-buy period is in effect.

NRND: Not recommended for new designs. Device is in production to support existing customers, but TI does not recommend using this part in a new design.

PREVIEW: Device has been announced but is not in production. Samples may or may not be available.

OBSOLETE: TI has discontinued the production of the device.

IMPORTANT NOTICE

Texas Instruments Incorporated and its subsidiaries (TI) reserve the right to make corrections, modifications, enhancements, improvements, and other changes to its products and services at any time and to discontinue any product or service without notice. Customers should obtain the latest relevant information before placing orders and should verify that such information is current and complete. All products are sold subject to TI's terms and conditions of sale supplied at the time of order acknowledgment.

TI warrants performance of its hardware products to the specifications applicable at the time of sale in accordance with TI's standard warranty. Testing and other quality control techniques are used to the extent TI deems necessary to support this warranty. Except where mandated by government requirements, testing of all parameters of each product is not necessarily performed.

TI assumes no liability for applications assistance or customer product design. Customers are responsible for their products and applications using TI components. To minimize the risks associated with customer products and applications, customers should provide adequate design and operating safeguards.

TI does not warrant or represent that any license, either express or implied, is granted under any TI patent right, copyright, mask work right, or other TI intellectual property right relating to any combination, machine, or process in which TI products or services are used. Information published by TI regarding third-party products or services does not constitute a license from TI to use such products or services or a warranty or endorsement thereof. Use of such information may require a license from a third party under the patents or other intellectual property of the third party, or a license from TI under the patents or other intellectual property of TI.

Reproduction of information in TI data books or data sheets is permissible only if reproduction is without alteration and is accompanied by all associated warranties, conditions, limitations, and notices. Reproduction of this information with alteration is an unfair and deceptive business practice. TI is not responsible or liable for such altered documentation.

Resale of TI products or services with statements different from or beyond the parameters stated by TI for that product or service voids all express and any implied warranties for the associated TI product or service and is an unfair and deceptive business practice. TI is not responsible or liable for any such statements.

Following are URLs where you can obtain information on other Texas Instruments products and application solutions:

Products		Applications	
Amplifiers	amplifier.ti.com	Audio	www.ti.com/audio
Data Converters	dataconverter.ti.com	Automotive	www.ti.com/automotive
DSP	dsp.ti.com	Broadband	www.ti.com/broadband
Interface	interface.ti.com	Digital Control	www.ti.com/digitalcontrol
Logic	logic.ti.com	Military	www.ti.com/military
Power Mgmt	power.ti.com	Optical Networking	www.ti.com/opticalnetwork
Microcontrollers	microcontroller.ti.com	Security	www.ti.com/security
		Telephony	www.ti.com/telephony
		Video & Imaging	www.ti.com/video
		Wireless	www.ti.com/wireless

Mailing Address: Texas Instruments
Post Office Box 655303 Dallas, Texas 75265