

# NB100LVPE56

## 2.5V / 3.3V / 5V ECL Dual Differential 2:1 Multiplexer

The NB100LVPE56 is a dual, fully differential 2:1 multiplexer. The differential data path makes the device ideal for multiplexing low skew clock or differential data signals. The device features both individual and common select inputs to address both data path and random logic applications. Common and individual selects can accept both ECL and CMOS input voltage levels. Multiple  $V_{BB}$  pins are provided.

The  $V_{BB}$  pin, an internally generated voltage supply, is available to this device only. For single-ended input operation, the unused differential input is connected to  $V_{BB}$  as a switching reference voltage.  $V_{BB}$  may also rebias AC coupled inputs. When used, decouple  $V_{BB}$  and  $V_{CC}$  via a 0.01  $\mu$ F capacitor and limit current sourcing or sinking to 0.5 mA. When not used,  $V_{BB}$  should be left open.

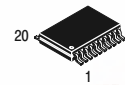
- Maximum Input Clock Frequency > 2.5 GHz Typical
- Maximum Input Data Rate > 2.5 Gb/s Typical
- 525 ps Typical Propagation Delays
- Low Profile QFN Package
- PECL Mode Operating Range:  
 $V_{CC} = 2.375$  V to 5.5 V with  $V_{EE} = 0$  V
- NECL Mode Operating Range:  
 $V_{CC} = 0$  V with  $V_{EE} = -2.375$  V to  $-5.5$  V
- Separate, Common Select, and Individual Select (Compatible with ECL and CMOS Input Voltage Levels)
- Q Output Will Default LOW with Inputs Open or at  $V_{EE}$
- Multiple  $V_{BB}$  Outputs
- Pb-Free Packages are Available\*



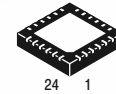
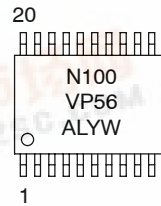
ON Semiconductor®

<http://onsemi.com>

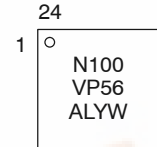
### MARKING DIAGRAMS\*



TSSOP-20  
DT SUFFIX  
CASE 948E



QFN-24  
MN SUFFIX  
CASE 485L



A = Assembly Location  
L = Wafer Lot  
Y = Year  
W = Work Week

\*For additional information, see Application Note AND8002/D

### ORDERING INFORMATION

See detailed ordering and shipping information in the package dimensions section on page 10 of this data sheet.

\*For additional information on our Pb-Free strategy and soldering details, please download the ON Semiconductor Soldering and Mounting Techniques Reference Manual, SOLDERRM/D.



## NB100LVEP56

**Table 1. PIN FUNCTION DESCRIPTION**

Pin No.		Name	I/O	Default State	Description
TSSOP	QFN				
14,20	3,9,18,19,20	V <sub>CC</sub>	-	-	Positive Supply Voltage. All VCC Pins must be Externally Connected to Power Supply to Guarantee Proper Operation.
11	15,24	V <sub>EE</sub>	-	-	Negative Supply Voltage. All VEE Pins must be Externally Connected to Power Supply to Guarantee Proper Operation.
3,8	6,12	V <sub>BB0</sub> , V <sub>BB1</sub>	-	-	ECL Reference Voltage Output
1	4	D0a	ECL Input	Low	Noninverted Differential Data a Input to MUX 0. Internal 75 kΩ to V <sub>EE</sub> .
2	5	$\overline{D0a}$	ECL Input	High	Inverted Differential Data a Input to MUX 0. Internal 75 kΩ to V <sub>EE</sub> and 37 kΩ to V <sub>CC</sub> .
4	7	D0b	ECL Input	Low	Noninverted Differential Data b Input to MUX 0. Internal 75 kΩ to V <sub>EE</sub> .
5	8	$\overline{D0b}$	ECL Input	High	Inverted Differential Data b Input to MUX 0. Internal 75 kΩ to V <sub>EE</sub> and 37 kΩ to V <sub>CC</sub> .
6	10	D1a	ECL Input	Low	Noninverted Differential Data a Input to MUX 1. Internal 75 kΩ to V <sub>EE</sub> .
7	11	$\overline{D1a}$	ECL Input	High	Inverted Differential Data a Input to MUX 1. Internal 75 kΩ to V <sub>EE</sub> and 37 kΩ to V <sub>CC</sub> .
9	13	D1b	ECL Input	Low	Noninverted Differential Data b Input to MUX 1. Internal 75 kΩ to V <sub>EE</sub> .
10	14	$\overline{D1b}$	ECL Input	High	Inverted Differential Data b Input to MUX 1. Internal 75 kΩ to V <sub>EE</sub> and 37 kΩ to V <sub>CC</sub> .
19	2	Q0	ECL Output	-	Noninverted Differential Output MUX 0. Typically Terminated with 50 Ω to V <sub>TT</sub> = V <sub>CC</sub> - 2.0 V.
18	1	$\overline{Q0}$	ECL Output	-	Inverted Differential Output MUX 0. Typically Terminated with 50 Ω to V <sub>TT</sub> = V <sub>CC</sub> - 2.0 V.
13	17	Q1	ECL Output	-	Noninverted Differential Output MUX 1. Typically Terminated with 50 Ω to V <sub>TT</sub> = V <sub>CC</sub> - 2.0 V.
12	16	$\overline{Q1}$	ECL Output	-	Inverted Differential Output MUX 1. Typically Terminated with 50 Ω to V <sub>TT</sub> = V <sub>CC</sub> - 2.0 V.
17	23	SEL0	ECL, CMOS Input	Low	Noninverted Differential Select Input to MUX 0. Internal 75 Ω to V <sub>EE</sub> .
16	22	COM_SEL	ECL, CMOS Input	Low	Noninverted Differential Common Select Input to Both MUX. Internal 75 Ω to V <sub>EE</sub> .
15	21	SEL1	ECL, CMOS Input	Low	Noninverted Differential Select Input to MUX 1. Internal 75 Ω to V <sub>EE</sub> .
N/A	-	EP	-	-	Exposed Pad. (Note 1)

1. The thermally conductive exposed pad on the package bottom (see case drawing) must be attached to a heat sinking conduit.

# NB100LVEP56

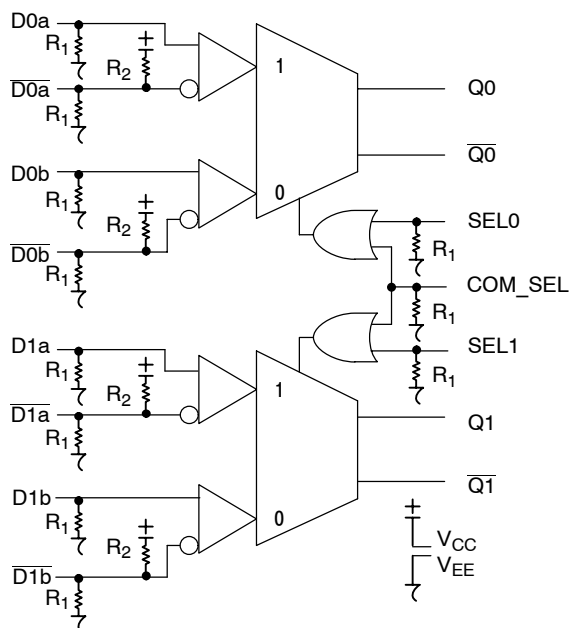


Figure 1. Logic Diagram

Table 2. TRUTH TABLE

SEL0	SEL1	COM_SEL	Q0, Q0̄	Q1, Q1̄
X	X	H	a	a
L	L	L	b	b
L	H	L	b	a
H	H	L	a	a
H	L	L	a	b

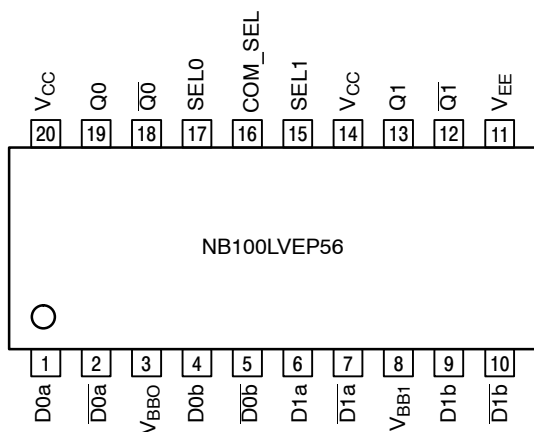


Figure 2. TSSOP-20 Lead Pinout (Top View)

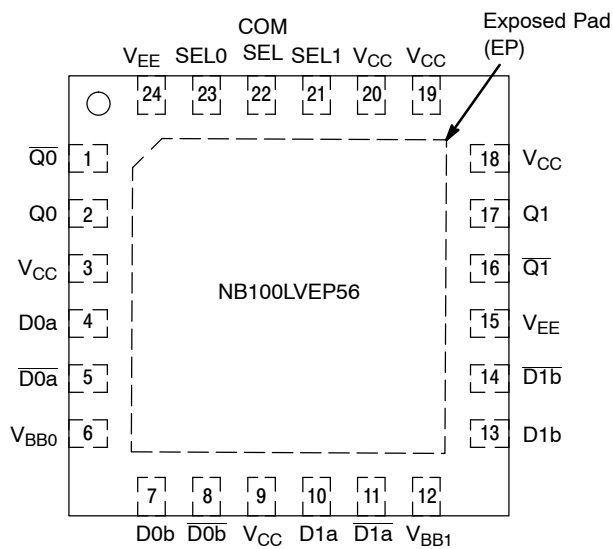


Figure 3. QFN-24 Lead Pinout (Top View)

Table 3. ATTRIBUTES

Characteristics	Value
Internal Input Pulldown Resistor (R1)	75 kΩ
Internal Input Pullup Resistor (R2)	37 kΩ
ESD Protection	Human Body Model Machine Model Charged Device Model
	> 2 kV > 150 V > 2 kV
Moisture Sensitivity, Indefinite Time Out of Drypack (Note 1)	Level 1
Flammability Rating	Oxygen Index: 28 to 34 UL 94 V-0 @ 0.125 in
Transistor Count	354 Devices
Meets or exceeds JEDEC Spec EIA/JESD78 IC Latchup Test	

1. For additional information, see Application Note AND8003/D.

# NB100LVEP56

**Table 4. MAXIMUM RATINGS**

Symbol	Parameter	Condition 1	Condition 2	Rating	Unit
V <sub>CC</sub>	Positive Mode Power Supply	V <sub>EE</sub> = 0 V		6	V
V <sub>EE</sub>	Negative Mode Power Supply	V <sub>CC</sub> = 0 V		-6	V
V <sub>I</sub>	Positive Mode Input Voltage Negative Mode Input Voltage	V <sub>EE</sub> = 0 V V <sub>CC</sub> = 0 V	V <sub>I</sub> ≤ V <sub>CC</sub> V <sub>I</sub> ≥ V <sub>EE</sub>	6 -6	V V
I <sub>out</sub>	Output Current	Continuous Surge		50 100	mA mA
I <sub>BB</sub>	V <sub>BB</sub> Sink/Source			±0.5	mA
T <sub>A</sub>	Operating Temperature Range			-40 to +85	°C
T <sub>stg</sub>	Storage Temperature Range			-65 to +150	°C
θ <sub>JA</sub>	Thermal Resistance (Junction-to-Ambient) JEDEC 51-3 (1S - Single Layer Test Board)	0 lfpm 500 lfpm	TSSOP-20 TSSOP-20	140 50	°C/W °C/W
θ <sub>JA</sub>	Thermal Resistance (Junction-to-Ambient) JEDEC 51-6 (2S2P-Multi Layer Test Board) with Filled Thermal Vias	0 lfpm 500 lfpm	QFN-24 QFN-24	37 32	°C/W °C/W
θ <sub>JC</sub>	Thermal Resistance (Junction-to-Case)	Standard Board	TSSOP-20 QFN-24	23 to 41 11	°C/W
T <sub>sol</sub>	Wave Solder	Pb Pb-Free	<2 to 3 sec @ 248°C <2 to 3 sec @ 260°C	265 265	°C

Maximum ratings are those values beyond which device damage can occur. Maximum ratings applied to the device are individual stress limit values (not normal operating conditions) and are not valid simultaneously. If these limits are exceeded, device functional operation is not implied, damage may occur and reliability may be affected.

**Table 5. DC CHARACTERISTICS, PECL V<sub>CC</sub> = 2.5 V, V<sub>EE</sub> = 0 V (Note 2)**

Symbol	Characteristic	-40°C			25°C			85°C			Unit
		Min	Typ	Max	Min	Typ	Max	Min	Typ	Max	
I <sub>EE</sub>	Negative Power Supply Current	35	45	55	35	45	55	35	48	58	mA
V <sub>OH</sub>	Output HIGH Voltage (Note 3)	1355	1480	1605	1355	1480	1605	1355	1480	1605	mV
V <sub>OL</sub>	Output LOW Voltage (Note 3)	555	775	900	555	775	900	555	775	900	mV
V <sub>IH</sub>	Input HIGH Voltage (SEL0, SEL1, COM_SEL) Input HIGH Voltage (D Inputs) (Note 4)	1335 1335		V <sub>CC</sub> 1620	1335 1335		V <sub>CC</sub> 1620	1275 1275		V <sub>CC</sub> 1620	mV
V <sub>IL</sub>	Input LOW Voltage (SEL0, SEL1, COM_SEL) Input LOW Voltage (D Inputs) (Note 4)	V <sub>EE</sub> 555		875 875	V <sub>EE</sub> 555		875 875	V <sub>EE</sub> 555		875 875	mV
V <sub>IHCMR</sub>	Input HIGH Voltage Common Mode Range (Differential Configuration) (Note 5)	1.2		2.5	1.2		2.5	1.2		2.5	V
I <sub>IH</sub>	Input HIGH Current (@V <sub>IH</sub> )			150			150			150	μA
I <sub>IL</sub>	Input LOW Current (@V <sub>IL</sub> )	D D̄ SEL	0.5 -150 -150		0.5 -150 -150			0.5 -150 -150			μA

NOTE: Device will meet the specifications after thermal equilibrium has been established when mounted in a test socket or printed circuit board with maintained transverse airflow greater than 500 lfpm. Electrical parameters are guaranteed only over the declared operating temperature range. Functional operation of the device exceeding these conditions is not implied. Device specification limit values are applied individually under normal operating conditions and not valid simultaneously.

- Input and output parameters vary 1:1 with V<sub>CC</sub>. V<sub>EE</sub> can vary +0.125 V to -1.3 V.
- All loading with 50 Ω to V<sub>CC</sub> - 2.0 V.
- Do not use V<sub>BB</sub> at V<sub>CC</sub> < 3.0 V.
- V<sub>IHCMR</sub> min varies 1:1 with V<sub>EE</sub>. V<sub>IHCMR</sub> max varies 1:1 with V<sub>CC</sub>. The V<sub>IHCMR</sub> range is referenced to the most positive side of the differential input signal.

## NB100LVEP56

**Table 6. DC CHARACTERISTICS, PECL**  $V_{CC} = 3.3\text{ V}$ ,  $V_{EE} = 0\text{ V}$  (Note 6)

Symbol	Characteristic	-40°C			25°C			85°C			Unit
		Min	Typ	Max	Min	Typ	Max	Min	Typ	Max	
$I_{EE}$	Negative Power Supply Current	35	45	55	35	45	55	35	48	58	mA
$V_{OH}$	Output HIGH Voltage (Note 7)	2155	2280	2405	2155	2280	2405	2155	2280	2405	mV
$V_{OL}$	Output LOW Voltage (Note 7)	1355	1575	1700	1355	1575	1700	1355	1575	1700	mV
$V_{IH}$	Input HIGH Voltage (SEL0, SEL1, COM_SEL) Input HIGH Voltage (D Inputs)	2135 2135		$V_{CC}$ 2420	2135 2135		$V_{CC}$ 2420	2135 2135		$V_{CC}$ 2420	mV
$V_{IL}$	Input LOW Voltage (SEL0, SEL1, COM_SEL) Input LOW Voltage (D Inputs)	$V_{EE}$ 1355		1675 1675	$V_{EE}$ 1355		1675 1675	$V_{EE}$ 1355		1675 1675	mV
$V_{BB}$	Output Reference Voltage (Note 8)	1775	1875	1975	1775	1875	1975	1775	1875	1975	mV
$V_{IHCMR}$	Input HIGH Voltage Common Mode Range (Differential Configuration) (Note 9)	1.2		3.3	1.2		3.3	1.2		3.3	V
$I_{IH}$	Input HIGH Current (@ $V_{IH}$ )			150			150			150	$\mu\text{A}$
$I_{IL}$	Input LOW Current (@ $V_{IL}$ )	D 0.5 D -150 SEL -150			0.5 -150 -150			0.5 -150 -150			$\mu\text{A}$

NOTE: Device will meet the specifications after thermal equilibrium has been established when mounted in a test socket or printed circuit board with maintained transverse airflow greater than 500 lfm. Electrical parameters are guaranteed only over the declared operating temperature range. Functional operation of the device exceeding these conditions is not implied. Device specification limit values are applied individually under normal operating conditions and not valid simultaneously.

6. Input and output parameters vary 1:1 with  $V_{CC}$ .  $V_{EE}$  can vary +0.925 V to -0.5 V.

7. All loading with 50  $\Omega$  to  $V_{CC} - 2.0\text{ V}$ .

8. Single-Ended input operation is limited to  $V_{CC} \geq 3.0\text{ V}$  in PECL mode.

9.  $V_{IHCMR}$  min varies 1:1 with  $V_{EE}$ ,  $V_{IHCMR}$  max varies 1:1 with  $V_{CC}$ . The  $V_{IHCMR}$  range is referenced to the most positive side of the differential input signal.

**Table 7. DC CHARACTERISTICS, PECL**  $V_{CC} = 5.0\text{ V}$ ,  $V_{EE} = 0\text{ V}$  (Note 10)

Symbol	Characteristic	-40°C			25°C			85°C			Unit
		Min	Typ	Max	Min	Typ	Max	Min	Typ	Max	
$I_{EE}$	Negative Power Supply Current	40	50	60	40	50	60	45	55	65	mA
$V_{OH}$	Output HIGH Voltage (Note 11)	3855	3980	4105	3855	3980	4105	3855	3980	4105	mV
$V_{OL}$	Output LOW Voltage (Note 11)	3055	3275	3400	3055	3275	3400	3055	3275	3400	mV
$V_{IH}$	Input HIGH Voltage (SEL0, SEL1, COM_SEL) Input HIGH Voltage (D Inputs)	3775 3775		$V_{CC}$ 4120	3775 3775		$V_{CC}$ 4120	3775 3775		$V_{CC}$ 4120	mV
$V_{IL}$	Input LOW Voltage (SEL0, SEL1, COM_SEL) Input LOW Voltage (D Inputs)	$V_{EE}$ 3055		3375 3375	$V_{EE}$ 3055		3375 3375	$V_{EE}$ 3055		3375 3375	mV
$V_{BB}$	Output Voltage Reference	3475	3575	3675	3475	3575	3675	3475	3575	3675	mV
$V_{IHCMR}$	Input HIGH Voltage Common Mode Range (Differential Configuration) (Note 12)	1.2		5.0	1.2		5.0	1.2		5.0	V
$I_{IH}$	Input HIGH Current (@ $V_{IH}$ )			150			150			150	$\mu\text{A}$
$I_{IL}$	Input LOW Current (@ $V_{IL}$ )	D 0.5 D -150 SEL -150			0.5 -150 -150			0.5 -150 -150			$\mu\text{A}$

NOTE: Device will meet the specifications after thermal equilibrium has been established when mounted in a test socket or printed circuit board with maintained transverse airflow greater than 500 lfm. Electrical parameters are guaranteed only over the declared operating temperature range. Functional operation of the device exceeding these conditions is not implied. Device specification limit values are applied individually under normal operating conditions and not valid simultaneously.

10. Input and output parameters vary 1:1 with  $V_{CC}$ .  $V_{EE}$  can vary +2.0 V to -0.5 V.

11. All loading with 50  $\Omega$  to  $V_{CC} - 2.0\text{ V}$ .

12.  $V_{IHCMR}$  min varies 1:1 with  $V_{EE}$ ,  $V_{IHCMR}$  max varies 1:1 with  $V_{CC}$ . The  $V_{IHCMR}$  range is referenced to the most positive side of the differential input signal.

## NB100LVEP56

**Table 8. DC CHARACTERISTICS, NECL**  $V_{CC} = 0\text{ V}$ ,  $V_{EE} = -3.8\text{ V}$  to  $-2.375\text{ V}$  (Note 13)

Symbol	Characteristic	-40°C			25°C			85°C			Unit
		Min	Typ	Max	Min	Typ	Max	Min	Typ	Max	
$I_{EE}$	Negative Power Supply Current	35	45	55	35	45	55	35	48	58	mA
$V_{OH}$	Output HIGH Voltage (Note 14)	-1145	-1020	-895	-1145	-1020	-895	-1145	-1020	-895	mV
$V_{OL}$	Output LOW Voltage (Note 14)	-1945	-1725	-1600	-1945	-1725	-1600	-1945	-1725	-1600	mV
$V_{IH}$	Input HIGH Voltage (SEL0, SEL1, COM_SEL) Input HIGH Voltage (D Inputs)	-1165 -1165		$V_{CC}$ -880	-1165 -1165		$V_{CC}$ -880	-1165 -1165		$V_{CC}$ -880	mV
$V_{IL}$	Input LOW Voltage (SEL0, SEL1, COM_SEL) Input LOW Voltage (D Inputs)	$V_{EE}$ -1945		-1600 -1600	$V_{EE}$ -1945		-1600 -1600	$V_{EE}$ -1945		-1600 -1600	mV
$V_{BB}$	Output Reference Voltage (Note 15)	-1525	-1425	-1325	-1525	-1425	-1325	-1525	-1425	-1325	mV
$V_{IHCMR}$	Input HIGH Voltage Common Mode Range (Differential Configuration) (Note 16)	$V_{EE}+1.2$		0.0	$V_{EE}+1.2$		0.0	$V_{EE}+1.2$		0.0	V
$I_{IH}$	Input HIGH Current (@ $V_{IH}$ )			150			150			150	$\mu\text{A}$
$I_{IL}$	Input LOW Current (@ $V_{IL}$ )	D D SEL	0.5 -150 -150		0.5 -150 -150			0.5 -150 -150			$\mu\text{A}$

NOTE: Device will meet the specifications after thermal equilibrium has been established when mounted in a test socket or printed circuit board with maintained transverse airflow greater than 500 lfm. Electrical parameters are guaranteed only over the declared operating temperature range. Functional operation of the device exceeding these conditions is not implied. Device specification limit values are applied individually under normal operating conditions and not valid simultaneously.

13. Input and output parameters vary 1:1 with  $V_{CC}$ .

14. All loading with  $50\ \Omega$  to  $V_{CC} - 2.0\text{ V}$ .

15. Single-Ended input operation is limited to  $V_{EE}$  from  $-3.0\text{ V}$  to  $-5.5\text{ V}$  in NECL mode.

16.  $V_{IHCMR}$  min varies 1:1 with  $V_{EE}$ ,  $V_{IHCMR}$  max varies 1:1 with  $V_{CC}$ . The  $V_{IHCMR}$  range is referenced to the most positive side of the differential input signal.

**Table 9. DC CHARACTERISTICS, NECL**  $V_{CC} = 0\text{ V}$ ,  $V_{EE} = -3.8\text{ V}$  to  $-5.5\text{ V}$  (Note 17)

Symbol	Characteristic	-40°C			25°C			85°C			Unit
		Min	Typ	Max	Min	Typ	Max	Min	Typ	Max	
$I_{EE}$	Negative Power Supply Current	40	50	60	40	50	60	45	55	65	mA
$V_{OH}$	Output HIGH Voltage (Note 18)	-1145	-1020	-895	-1145	-1020	-895	-1145	-1020	-895	mV
$V_{OL}$	Output LOW Voltage (Note 18)	-1945	-1725	-1600	-1945	-1725	-1600	-1945	-1725	-1600	mV
$V_{IH}$	Input HIGH Voltage (SEL0, SEL1, COM_SEL) Input HIGH Voltage (D Inputs)	-1165 -1165		$V_{CC}$ -880	-1165 -1165		$V_{CC}$ -880	-1165 -1165		$V_{CC}$ -880	mV
$V_{IL}$	Input LOW Voltage (SEL0, SEL1, COM_SEL) Input LOW Voltage (D Inputs)	$V_{EE}$ -1945		-1600 -1625	$V_{EE}$ -1945		-1600 -1625	$V_{EE}$ -1945		-1600 -1625	mV
$V_{BB}$	Output Reference Voltage (Note 19)	-1525	-1425	-1325	-1525	-1425	-1325	-1525	-1425	-1325	mV
$V_{IHCMR}$	Input HIGH Voltage Common Mode Range (Differential Configuration) (Note 20)	$V_{EE}+1.2$		0.0	$V_{EE}+1.2$		0.0	$V_{EE}+1.2$		0.0	V
$I_{IH}$	Input HIGH Current (@ $V_{IH}$ )			150			150			150	$\mu\text{A}$
$I_{IL}$	Input LOW Current (@ $V_{IL}$ )	D D SEL	0.5 -150 -150		0.5 -150 -150			0.5 -150 -150			$\mu\text{A}$

NOTE: Device will meet the specifications after thermal equilibrium has been established when mounted in a test socket or printed circuit board with maintained transverse airflow greater than 500 lfm. Electrical parameters are guaranteed only over the declared operating temperature range. Functional operation of the device exceeding these conditions is not implied. Device specification limit values are applied individually under normal operating conditions and not valid simultaneously.

17. Input and output parameters vary 1:1 with  $V_{CC}$ .

18. All loading with  $50\ \Omega$  to  $V_{CC} - 2.0\text{ V}$ .

19. Single-Ended input operation is limited to  $V_{EE}$  from  $-3.0\text{ V}$  to  $-5.5\text{ V}$  in NECL mode.

20.  $V_{IHCMR}$  min varies 1:1 with  $V_{EE}$ ,  $V_{IHCMR}$  max varies 1:1 with  $V_{CC}$ . The  $V_{IHCMR}$  range is referenced to the most positive side of the differential input signal.

## NB100LVEP56

**Table 10. AC CHARACTERISTICS**  $V_{CC} = 0\text{ V}$ ;  $V_{EE} = -2.375\text{ V to }-3.8\text{ V}$  or  $V_{CC} = 2.375\text{ V to }3.8\text{ V}$ ;  $V_{EE} = 0\text{ V}$  (Note 21)

Symbol	Characteristic	-40°C			25°C			85°C			Unit	
		Min	Typ	Max	Min	Typ	Max	Min	Typ	Max		
$V_{OUTPP}$	Output Voltage Amplitude (See Figure 4)	$f_{in} \leq 1\text{ GHz}$	525	700		550	700		500	700		mV
		$f_{in} = 2\text{ GHz}$	500	600		500	600		400	500		
		$f_{in} = 2.5\text{ GHz}$	400	500		350	450		200	300		
$t_{PLH}$ , $t_{PHL}$	Propagation Delay to Output Differential	D to Q, $\bar{Q}$	375	500	625	400	525	650	450	575	700	ps
		SEL to Q, $\bar{Q}$	575	775	975	625	825	1025	700	900	1100	
		COM_SEL to Q, $\bar{Q}$	550	750	950	600	800	1000	700	900	1100	
$t_{skew}$	Pulse Skew (Note 22) Within Device Input Skew (Note 23) Within Device Output Skew (Note 24) Device-to-Device Skew (Note 25)		10	50		10			10	50	ps	
			5	30		5			5	30		
			15	50		15			15	50		
			50	200		50			50	200		
$t_{JITTER}$	RMS Random Clock Jitter (Note 26) Peak-to-Peak Data Dependent Jitter (Note 27)	$f_{in} = 2.5\text{ GHz}$			1			1			1	ps
		$f_{in} = 1.5\text{ Gb/s}$ $f_{in} = 2.5\text{ Gb/s}$		5 15			10 25			10 25		
$V_{INPP}$	Input Voltage Swing (Differential Configuration) (Note 28)	150	800	1200	150	800	1200	150	800	1200	mV	
$t_r$ , $t_f$	Output Rise/Fall Times @ 50 MHz (20% – 80%)		Q, $\bar{Q}$								ps	
		60	110	150	60	120	170	90	140	230		

NOTE: Device will meet the specifications after thermal equilibrium has been established when mounted in a test socket or printed circuit board with maintained transverse airflow greater than 500 lfm. Electrical parameters are guaranteed only over the declared operating temperature range. Functional operation of the device exceeding these conditions is not implied. Device specification limit values are applied individually under normal operating conditions and not valid simultaneously.

21. Measured using a 750 mV source, 50% duty cycle clock source. All loading with 50  $\Omega$  to  $V_{CC} - 2.0\text{ V}$ . Input edge rates 150 ps (20% – 80%).

22. Pulse Skew  $|t_{PLH} - t_{PHL}|$

23. Worst case difference between D0a and D0b (or between D1a or D1b), when both output come from same input.

24. Worst case difference between Q0 and Q1 outputs.

25. Skew is measured between outputs under identical transitions.

26. Additive RMS jitter with 50% Duty Cycle Clock Signal at  $f_{in} = 2.5\text{ GHz}$ .

27. Additive Peak-to-Peak jitter with input NRZ data at PRBS  $2^{31}-1$  at  $f_{in} = 2.5\text{ Gb/s}$ .

28. Input voltage swing is a single-ended measurement operating in differential mode.

## NB100LVEP56

**Table 11. AC CHARACTERISTICS**  $V_{CC} = 0\text{ V}$ ;  $V_{EE} = -4.2\text{ V}$  to  $-5.5\text{ V}$  or  $V_{CC} = 4.2\text{ V}$  to  $5.5\text{ V}$ ;  $V_{EE} = 0\text{ V}$  (Note 29)

Symbol	Characteristic	-40°C			25°C			85°C			Unit			
		Min	Typ	Max	Min	Typ	Max	Min	Typ	Max				
$V_{OUTPP}$	Output Voltage Amplitude (See Figure 5)	$f_{in} \leq 1\text{ GHz}$	600	750		600	750		600	750		mV		
		$f_{in} = 2\text{ GHz}$	550	650		500	600		400	500				
		$f_{in} = 2.5\text{ GHz}$	400	550		350	450		200	300				
$t_{PLH}$ , $t_{PHL}$	Propagation Delay to Output Differential	D to Q, $\bar{Q}$	375	500	625	400	525	650	450	575	700	ps		
		SEL to Q, $\bar{Q}$	575	775	975	625	825	1025	700	900	1100			
		COM_SEL to Q, $\bar{Q}$	550	750	950	600	800	1000	700	900	1100			
$t_{skew}$	Pulse Skew (Note 30) Within Device Input Skew (Note 31) Within Device Output Skew (Note 32) Device-to-Device Skew (Note 33)		5	50		5	50		5	50	ps			
			15	30		15	30		15	30				
			20	50		20	50		20	50				
			50	200		50	200		50	200				
$t_{JITTER}$	RMS Random Clock Jitter (Note 34) Peak-to-Peak Data Dependent Jitter (Note 35)	$f_{in} = 2.5\text{ GHz}$			1			1			1	ps		
		$f_{in} = 1.5\text{ Gb/s}$ $f_{in} = 2.5\text{ Gb/s}$		5 15			10 25			10 20				
$V_{INPP}$	Input Voltage Swing (Differential Configuration) (Note 36)	150	800	1200	150	800	1200	150	800	1200	mV			
$t_r$ , $t_f$	Output Rise/Fall Times @ 50 MHz (20% – 80%)		Q, $\bar{Q}$		60	110	150	60	120	170	90	140	230	ps

NOTE: Device will meet the specifications after thermal equilibrium has been established when mounted in a test socket or printed circuit board with maintained transverse airflow greater than 500 lfm. Electrical parameters are guaranteed only over the declared operating temperature range. Functional operation of the device exceeding these conditions is not implied. Device specification limit values are applied individually under normal operating conditions and not valid simultaneously.

29. Measured using a 750 mV source, 50% duty cycle clock source. All loading with 50  $\Omega$  to  $V_{CC} - 2.0\text{ V}$ . Input edge rates 150 ps (20% – 80%).

30. Pulse Skew  $|t_{PLH} - t_{PHL}|$

31. Worst case difference between D0a and D0b (or between D1a or D1b), when both output come from same input.

32. Worst case difference between Q0 and Q1 outputs.

33. Skew is measured between outputs under identical transitions.

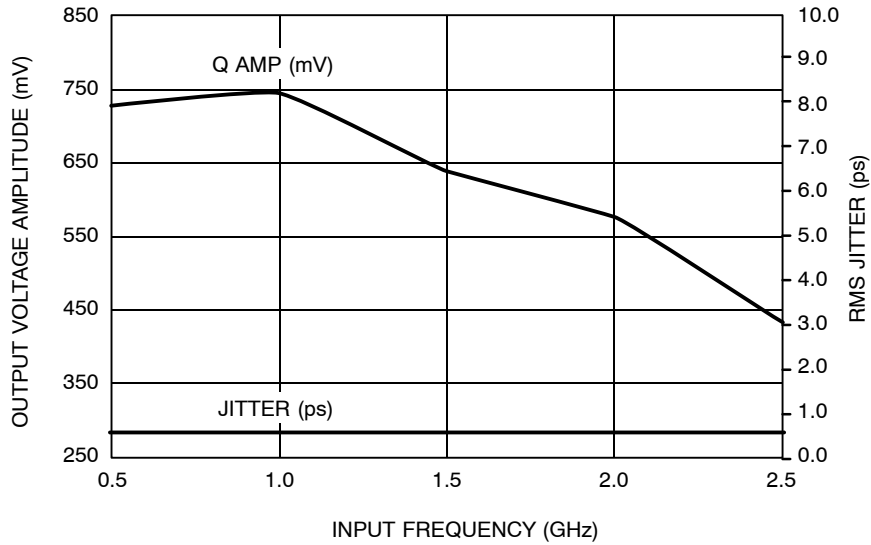
34. Additive RMS jitter with 50% Duty Cycle Clock Signal at  $f_{in} = 2.5\text{ GHz}$ .

35. Additive Peak-to-Peak jitter with input NRZ data at PRBS  $2^{31}-1$  at  $f_{in} = 2.5\text{ Gb/s}$ .

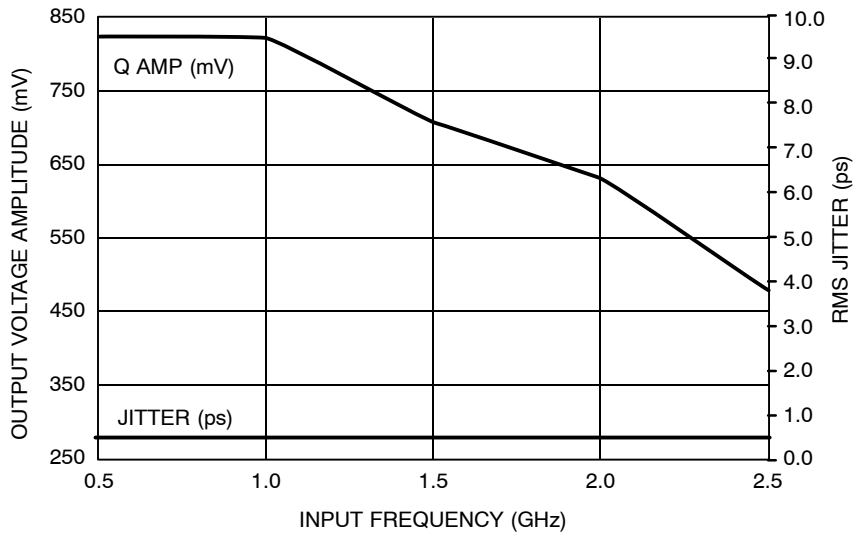
36. Input voltage swing is a single-ended measurement operating in differential mode.



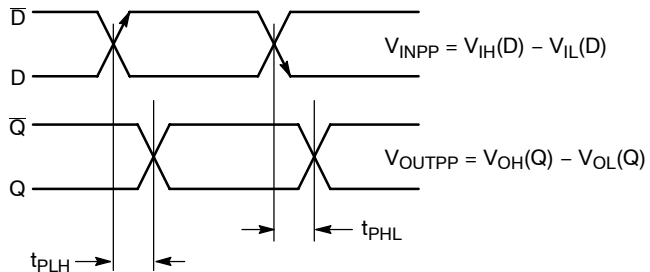
## NB100LVEP56



**Figure 4. Output Voltage Amplitude ( $V_{OUTPP}$ ) / RMS Jitter vs. Input Frequency ( $f_{in}$ ) at  $V_{CC} = 2.5\text{ V}$ ,  $25^\circ\text{C}$**

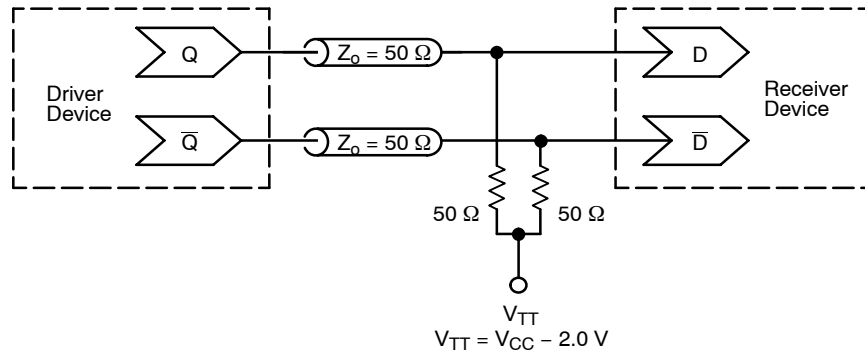


**Figure 5. Output Voltage Amplitude ( $V_{OUTPP}$ ) / RMS Jitter vs. Input Frequency ( $f_{in}$ ) at  $V_{CC} = 5.0\text{ V}$ ,  $25^\circ\text{C}$**



**Figure 6. AC Reference Measurement**

## NB100LVEP56



**Figure 7. Typical Termination for Output Driver and Device Evaluation**  
 (See Application Note AND8020/D – Termination of ECL Logic Devices.)

### ORDERING INFORMATION

Device	Package	Shipping†
NB100LVEP56DT*	TSSOP-20 (Pb-Free)	75 Units / Rail
NB100LVEP56DTR2*	TSSOP-20 (Pb-Free)	2500 Tape & Reel
NB100LVEP56MN	QFN-24	92 Units / Rail
NB100LVEP56MNG	QFN-24 (Pb-Free)	92 Units / Rail
NB100LVEP56MNR2	QFN-24	3000 Tape & Reel
NB100LVEP56MNR2G	QFN-24 (Pb-Free)	3000 Tape & Reel

\*These devices are manufactured with a Pb-Free external lead finish only.

†For information on tape and reel specifications, including part orientation and tape sizes, please refer to our Tape and Reel Packaging Specification Brochure, BRD8011/D.

## NB100LVEP56

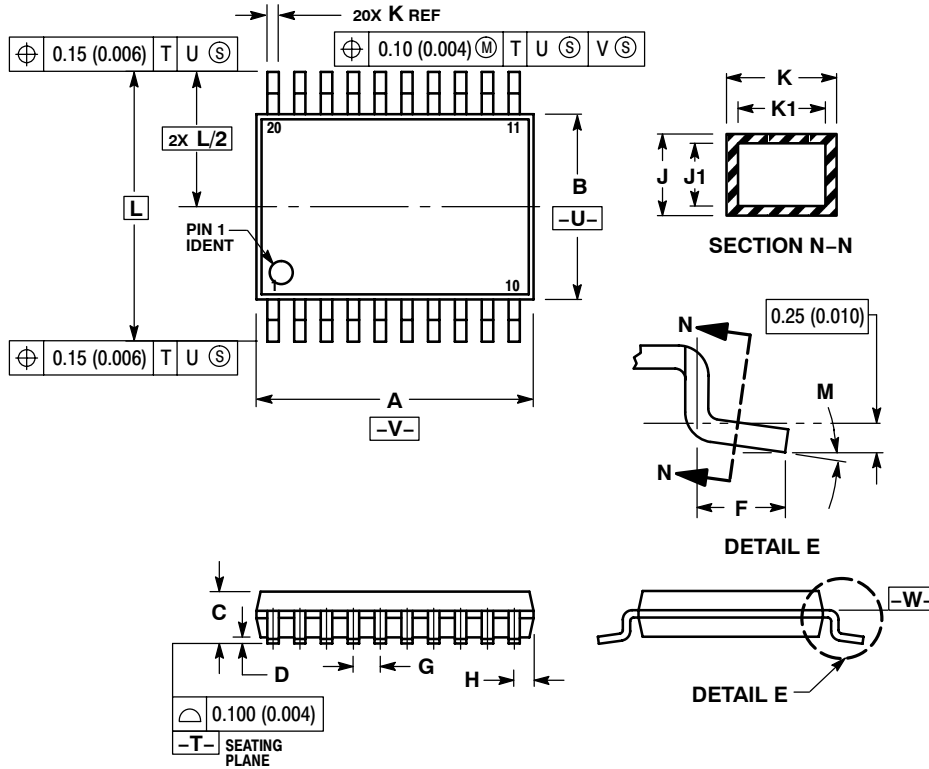
### Resource Reference of Application Notes

- AN1405/D** – ECL Clock Distribution Techniques
- AN1406/D** – Designing with PECL (ECL at +5.0 V)
- AN1503/D** – ECLinPS™ I/O SPICE Modeling Kit
- AN1504/D** – Metastability and the ECLinPS Family
- AN1568/D** – Interfacing Between LVDS and ECL
- AN1642/D** – The ECL Translator Guide
- AND8001/D** – Odd Number Counters Design
- AND8002/D** – Marking and Date Codes
- AND8020/D** – Termination of ECL Logic Devices
- AND8066/D** – Interfacing with ECLinPS
- AND8090/D** – AC Characteristics of ECL Devices

# NB100LVEP56

## PACKAGE DIMENSIONS

TSSOP-20  
DT SUFFIX  
PLASTIC TSSOP PACKAGE  
CASE 948E-02  
ISSUE B



### NOTES:

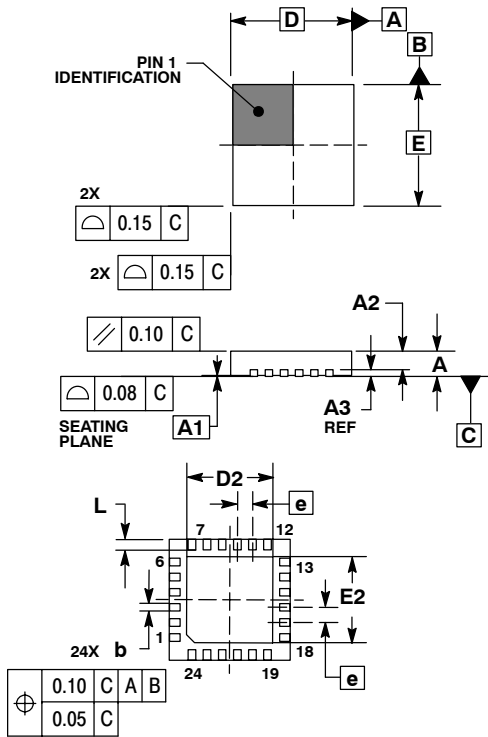
1. DIMENSIONING AND TOLERANCING PER ANSI Y14.5M, 1982.
2. CONTROLLING DIMENSION: MILLIMETER.
3. DIMENSION A DOES NOT INCLUDE MOLD FLASH, PROTRUSIONS OR GATE BURRS. MOLD FLASH OR GATE BURRS SHALL NOT EXCEED 0.15 (0.006) PER SIDE.
4. DIMENSION B DOES NOT INCLUDE INTERLEAD FLASH OR PROTRUSION. INTERLEAD FLASH OR PROTRUSION SHALL NOT EXCEED 0.25 (0.010) PER SIDE.
5. DIMENSION K DOES NOT INCLUDE DAMBAR PROTRUSION. ALLOWABLE DAMBAR PROTRUSION SHALL BE 0.08 (0.003) TOTAL IN EXCESS OF THE K DIMENSION AT MAXIMUM MATERIAL CONDITION.
6. TERMINAL NUMBERS ARE SHOWN FOR REFERENCE ONLY.
7. DIMENSION A AND B ARE TO BE DETERMINED AT DATUM PLANE -W-.

DIM	MILLIMETERS		INCHES	
	MIN	MAX	MIN	MAX
A	6.40	6.60	0.252	0.260
B	4.30	4.50	0.169	0.177
C	---	1.20	---	0.047
D	0.05	0.15	0.002	0.006
F	0.50	0.75	0.020	0.030
G	0.65 BSC		0.026 BSC	
H	0.27	0.37	0.011	0.015
J	0.09	0.20	0.004	0.008
J1	0.09	0.16	0.004	0.006
K	0.19	0.30	0.007	0.012
K1	0.19	0.25	0.007	0.010
L	6.40 BSC		0.252 BSC	
M	0°	8°	0°	8°

# NB100LVEP56

## PACKAGE DIMENSIONS

**QFN 24**  
**MN SUFFIX**  
 24 PIN QFN, 4x4  
 CASE 485L-01  
 ISSUE O




**NOTES:**

1. DIMENSIONING AND TOLERANCING PER ASME Y14.5M, 1994.
2. CONTROLLING DIMENSION: MILLIMETERS.
3. DIMENSION b APPLIES TO PLATED TERMINAL AND IS MEASURED BETWEEN 0.25 AND 0.30 MM FROM TERMINAL.
4. COPLANARITY APPLIES TO THE EXPOSED PAD AS WELL AS THE TERMINALS.

DIM	MILLIMETERS	
	MIN	MAX
A	0.80	1.00
A1	0.00	0.05
A2	0.60	0.80
A3	0.20	REF
b	0.23	0.28
D	4.00	BSC
D2	2.70	2.90
E	4.00	BSC
E2	2.70	2.90
e	0.50	BSC
L	0.35	0.45

# NB100LVEP56

ECLinPS is a trademark of Semiconductor Components Industries, LLC (SCILLC).

**ON Semiconductor** and  are registered trademarks of Semiconductor Components Industries, LLC (SCILLC). SCILLC reserves the right to make changes without further notice to any products herein. SCILLC makes no warranty, representation or guarantee regarding the suitability of its products for any particular purpose, nor does SCILLC assume any liability arising out of the application or use of any product or circuit, and specifically disclaims any and all liability, including without limitation special, consequential or incidental damages. "Typical" parameters which may be provided in SCILLC data sheets and/or specifications can and do vary in different applications and actual performance may vary over time. All operating parameters, including "Typicals" must be validated for each customer application by customer's technical experts. SCILLC does not convey any license under its patent rights nor the rights of others. SCILLC products are not designed, intended, or authorized for use as components in systems intended for surgical implant into the body, or other applications intended to support or sustain life, or for any other application in which the failure of the SCILLC product could create a situation where personal injury or death may occur. Should Buyer purchase or use SCILLC products for any such unintended or unauthorized application, Buyer shall indemnify and hold SCILLC and its officers, employees, subsidiaries, affiliates, and distributors harmless against all claims, costs, damages, and expenses, and reasonable attorney fees arising out of, directly or indirectly, any claim of personal injury or death associated with such unintended or unauthorized use, even if such claim alleges that SCILLC was negligent regarding the design or manufacture of the part. SCILLC is an Equal Opportunity/Affirmative Action Employer. This literature is subject to all applicable copyright laws and is not for resale in any manner.

## PUBLICATION ORDERING INFORMATION

### LITERATURE FULFILLMENT:

Literature Distribution Center for ON Semiconductor  
P.O. Box 61312, Phoenix, Arizona 85082-1312 USA  
**Phone:** 480-829-7710 or 800-344-3860 Toll Free USA/Canada  
**Fax:** 480-829-7709 or 800-344-3867 Toll Free USA/Canada  
**Email:** [orderlit@onsemi.com](mailto:orderlit@onsemi.com)

**N. American Technical Support:** 800-282-9855 Toll Free  
USA/Canada

**Japan:** ON Semiconductor, Japan Customer Focus Center  
2-9-1 Kamimeguro, Meguro-ku, Tokyo, Japan 153-0051  
**Phone:** 81-3-5773-3850

**ON Semiconductor Website:** <http://onsemi.com>

**Order Literature:** <http://www.onsemi.com/litorder>

For additional information, please contact your local Sales Representative.