

NB6L11

2.5V/3.3V Multilevel Input to Differential LVPECL/LVNECL 1:2 Clock or Data Fanout Buffer/Translator

The NB6L11 is an enhanced differential 1:2 clock or data fanout buffer/translator. The device has the same pinout and is functionally equivalent to the LVEL11, EP11, LVEP11 devices. Moreover, the device is optimized for the systems that require LOW skew, LOW jitter and LOW power consumption.

Differential input can be configured to accept single-ended signal by applying an external reference voltage to unused complimentary input pin. Input accept LVNECL, LVPECL, LVTTTL, LVCMOS, CML, or LVDS. The outputs are 800 mV ECL signals.

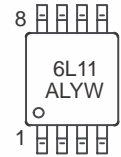
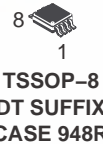
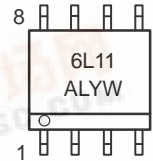
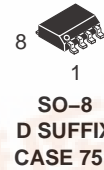
- Maximum Input Clock Frequency \geq 6 GHz Typical
- Maximum Input Data Rate \geq 6 Gb/s Typical
- Low 14 mA Typical Power Supply Current
- 150 ps Typical Propagation Delay
- 5 ps Typical Within Device Skew
- 75 ps Typical Rise/Fall Times
- PECL Mode Operating Range: $V_{CC} = 2.375$ V to 3.465 V with $V_{EE} = 0$ V
- NECL Mode Operating Range: $V_{CC} = 0$ V with $V_{EE} = -2.375$ V to -3.465 V
- Open Input Default State
- Q Outputs Will Default LOW with Inputs Open or at V_{EE}
- LVDS, LVPECL, LVNECL, LCMOS, LVTTTL and CML Input Compatible



ON Semiconductor®

<http://onsemi.com>

MARKING DIAGRAMS*



A = Assembly Location
L = Wafer Lot
Y = Year
W = Work Week

*For additional marking information, refer to Application Note AND8002/D.

ORDERING INFORMATION

| Device | Package | Shipping† |
|--------------|---------|----------------------|
| NB6L11D | SO-8 | 98 Units/Rail |
| NB6L11DR2 | SO-8 | 2500/ Tape & Reel |
| NB6L11DT** | TSSOP-8 | 100 Units/Rail |
| NB6L11DTR2** | TSSOP-8 | 2500/ Tape & Reel |

†For information on tape and reel specifications, including part orientation and tape sizes, please refer to our Tape and Reel Packaging Specifications Brochure, BRD8011/D.

**Future Product – Contact factory for availability.



NB6L11

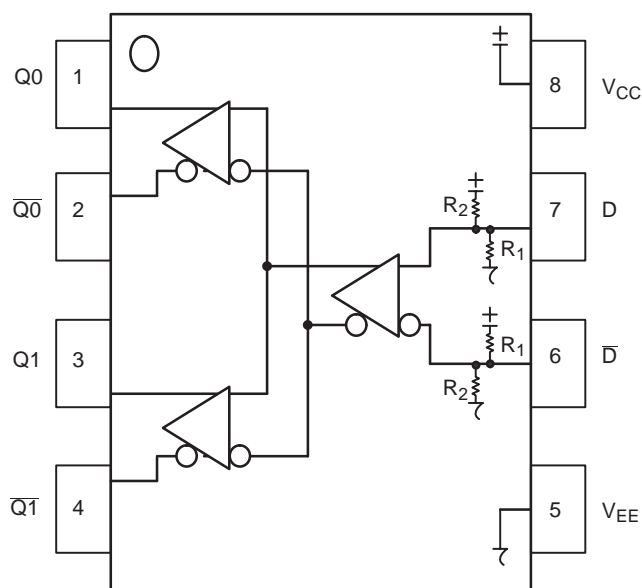


Figure 1. Pinout (Top View) and Logic Diagram

Table 1. PIN DESCRIPTION

| Pin | Name | I/O | Default State | Description |
|-----|-----------------|---|---------------|---|
| 1 | Q0 | ECL Output | – | Non-inverted differential clock/data output 0. Typically terminated with 50 Ω Resistor to $V_{TT} = V_{CC} - 2 V$. |
| 2 | $\overline{Q0}$ | ECL Output | – | Inverted differential clock/data output 0. Typically terminated with 50 Ω resistor to $V_{TT} = V_{CC} - 2 V$. |
| 3 | Q1 | ECL Output | – | Non-inverted differential clock/data output 1. Typically terminated with 50 Ω resistor to $V_{TT} = V_{CC} - 2 V$. |
| 4 | $\overline{Q1}$ | ECL Output | – | Inverted differential clock/data output 1. Typically terminated with 50 Ω resistor to $V_{TT} = V_{CC} - 2 V$. |
| 5 | V_{EE} | – | – | Negative power supply voltage |
| 6 | \overline{D} | LVDS, CML, LVPECL, LVNECL, LVCMOS, LVTTTL Input | HIGH | Inverted differential clock/data input. Internal 37.5 kΩ to V_{CC} and 75 kΩ to V_{EE} . |
| 7 | D | LVDS, CML, LVPECL, LVNECL, LVCMOS, LVTTTL Input | LOW | Non-inverted differential clock/data input. Internal 75 kΩ to V_{CC} and 37.5 kΩ to V_{EE} . |
| 8 | V_{CC} | – | – | Positive power supply voltage |

Table 2. ATTRIBUTES

| Characteristics | Value |
|---|---|
| Internal Input Default State Resistor (R_1) | 37.5 kΩ |
| Internal Input Default State Resistor (R_2) | 75 kΩ |
| ESD Protection | Human Body Model > 2 kV Machine Model > 100 V Charged Device Model > 1 kV |
| Moisture Sensitivity, Indefinite Time Out of Drypack (Note 1) | Level 1 |
| Flammability Rating | Oxygen Index: 28 to 34 UL 94 V-0 @ 0.125 in |
| Transistor Count | 167 |
| Meets or exceeds JEDEC Spec EIA/JESD78 IC Latchup Test | |

1. For additional information, see Application Note AND8003/D.

NB6L11

Table 3. MAXIMUM RATINGS

| Symbol | Parameter | Condition 1 | Condition 2 | Rating | Unit |
|---------------|--|---|--|----------------------------|--------------|
| V_{CC} | Positive Power Supply | $V_{EE} = 0\text{ V}$ | | 3.6 | V |
| V_{EE} | Negative Power Supply | $V_{CC} = 0\text{ V}$ | | -3.6 | V |
| V_I | Positive Input Voltage Negative Input Voltage | $V_{EE} = 0\text{ V}$ $V_{CC} = 0\text{ V}$ | $V_I \leq V_{CC}$ $V_I \geq V_{EE}$ | 3.6 -3.6 | V V |
| V_{INPP} | Differential Input Voltage $ D - \bar{D} $ | $V_{CC} - V_{EE} \geq 2.8\text{ V}$ $V_{CC} - V_{EE} < 2.8\text{ V}$ | | 2.8 $ V_{CC} - V_{EE} $ | V |
| I_{out} | Output Current | Continuous Surge | | 25 50 | mA mA |
| T_A | Operating Temperature Range | | | -40 to +85 | °C |
| T_{stg} | Storage Temperature Range | | | -65 to +150 | °C |
| θ_{JA} | Thermal Resistance (Junction-to-Ambient) | 0 lfpm 500 lfpm | SOIC-8 SOIC-8 | 190 130 | °C/W °C/W |
| θ_{JC} | Thermal Resistance (Junction-to-Case) | Standard Board | SOIC-8 | 41 to 44 | °C/W |
| θ_{JA} | Thermal Resistance (Junction-to-Ambient) | 0 lfpm 500 lfpm | TSSOP-8 TSSOP-8 | 185 140 | °C/W °C/W |
| θ_{JC} | Thermal Resistance (Junction-to-Case) | Standard Board | TSSOP-8 | 41 to 44 | °C/W |
| T_{sol} | Wave Solder | < 2 to 3 sec @ 248°C | | 265 | °C |

Maximum ratings are those values beyond which device damage can occur. Maximum ratings applied to the device are individual stress limit values (not normal operating conditions) and are not valid simultaneously. If these limits are exceeded, device functional operation is not implied, damage may occur and reliability may be affected.

NB6L11

Table 4. DC CHARACTERISTICS, PECL $V_{CC} = 2.5\text{ V}$, $V_{EE} = 0\text{ V}$ (Note 4)

| Symbol | Characteristic | -40°C | | | 25°C | | | 85°C | | | Unit |
|----------|--|-------|------|------|------|------|------|------|------|------|------|
| | | Min | Typ | Max | Min | Typ | Max | Min | Typ | Max | |
| I_{EE} | Negative Power Supply Current (Note 5) | 5 | 14 | 20 | 5 | 14 | 20 | 5 | 14 | 20 | mA |
| V_{OH} | Output HIGH Voltage (Note 6) | 1350 | 1450 | 1550 | 1400 | 1500 | 1600 | 1450 | 1550 | 1650 | mV |
| V_{OL} | Output LOW Voltage (Note 6) | 630 | 750 | 870 | 680 | 800 | 920 | 730 | 850 | 970 | mV |

DIFFERENTIAL INPUT DRIVEN SINGLE-ENDED (Figures 10, 12)

| | | | | | | | | | | | |
|----------|--|---------------|--|---------------|---------------|--|---------------|---------------|--|---------------|----|
| V_{th} | Input Threshold Reference Voltage Range (Note 2) | 1125 | | $V_{CC} - 75$ | 1125 | | $V_{CC} - 75$ | 1125 | | $V_{CC} - 75$ | mV |
| V_{IH} | Single-Ended Input HIGH Voltage | $V_{th} + 75$ | | V_{CC} | $V_{th} + 75$ | | V_{CC} | $V_{th} + 75$ | | V_{CC} | mV |
| V_{IL} | Single-Ended Input LOW Voltage | V_{EE} | | $V_{th} - 75$ | V_{EE} | | $V_{th} - 75$ | V_{EE} | | $V_{th} - 75$ | mV |

DIFFERENTIAL INPUTS DRIVEN DIFFERENTIALLY (Figures 11, 13)

| | | | | | | | | | | | | |
|-----------|---|-----------|--|---------------|----------|--|---------------|----------|--|---------------|-----|---------------|
| V_{IHD} | Differential Input HIGH Voltage | 1200 | | V_{CC} | 1200 | | V_{CC} | 1200 | | V_{CC} | mV | |
| V_{ILD} | Differential Input LOW Voltage | V_{EE} | | $V_{CC} - 75$ | V_{EE} | | $V_{CC} - 75$ | V_{EE} | | $V_{CC} - 75$ | mV | |
| V_{CMR} | Input Common Mode Range (Differential Cross-Point Voltage) (Note 3) | 1163 | | $V_{CC} - 38$ | 1163 | | $V_{CC} - 38$ | 1163 | | $V_{CC} - 38$ | mV | |
| V_{ID} | Differential Input Voltage ($V_{IHD} - V_{ILD}$) | 75 | | 2500 | 75 | | 2500 | 75 | | 2500 | mV | |
| I_{IH} | Input HIGH Current | D | | 50 | 150 | | 50 | 150 | | 50 | 150 | μA |
| | | \bar{D} | | 10 | 150 | | 10 | 150 | | 10 | 150 | |
| I_{IL} | Input LOW Current | D | | -150 | -5 | | -150 | -5 | | -150 | -5 | μA |
| | | \bar{D} | | -150 | -30 | | -150 | -30 | | -150 | -30 | |

NOTE: Device will meet the specifications after thermal equilibrium has been established when mounted in a test socket or printed circuit board with maintained transverse airflow greater than 500 lfm. Electrical parameters are guaranteed only over the declared operating temperature range. Functional operation of the device exceeding these conditions is not implied. Device specification limit values are applied individually under normal operating conditions and not valid simultaneously.

2. V_{th} is applied to the complementary input when operating in single-ended mode.
3. V_{CMR} minimum varies 1:1 with V_{EE} , V_{CMR} maximum varies 1:1 with V_{CC} .
4. Input and output parameters vary 1:1 with V_{CC} . V_{EE} can vary +0.125 V to -1.3 V.
5. All input and output pins left open.
6. All loading with 50 Ω to $V_{CC} - 2.0\text{ V}$.

NB6L11

Table 5. DC CHARACTERISTICS, PECL $V_{CC} = 3.3\text{ V}$, $V_{EE} = 0\text{ V}$ (Note 9)

| Symbol | Characteristic | -40°C | | | 25°C | | | 85°C | | | Unit |
|----------|---|-------|------|------|------|------|------|------|------|------|------|
| | | Min | Typ | Max | Min | Typ | Max | Min | Typ | Max | |
| I_{EE} | Negative Power Supply Current (Note 10) | 5 | 14 | 20 | 5 | 14 | 20 | 5 | 14 | 20 | mA |
| V_{OH} | Output HIGH Voltage (Note 11) | 2150 | 2250 | 2350 | 2200 | 2300 | 2400 | 2250 | 2350 | 2450 | mV |
| V_{OL} | Output LOW Voltage (Note 11) | 1430 | 1550 | 1670 | 1480 | 1600 | 1720 | 1530 | 1650 | 1770 | mV |

DIFFERENTIAL INPUT DRIVEN SINGLE-ENDED (Figures 10, 12)

| | | | | | | | | | | | |
|----------|--|---------------|--|---------------|---------------|--|---------------|---------------|--|---------------|----|
| V_{th} | Input Threshold Reference Voltage Range (Note 7) | 1125 | | $V_{CC} - 75$ | 1125 | | $V_{CC} - 75$ | 1125 | | $V_{CC} - 75$ | mV |
| V_{IH} | Single-Ended Input HIGH Voltage | $V_{th} + 75$ | | V_{CC} | $V_{th} + 75$ | | V_{CC} | $V_{th} + 75$ | | V_{CC} | mV |
| V_{IL} | Single-Ended Input LOW Voltage | V_{EE} | | $V_{th} - 75$ | V_{EE} | | $V_{th} - 75$ | V_{EE} | | $V_{th} - 75$ | mV |

DIFFERENTIAL INPUTS DRIVEN DIFFERENTIALLY (Figures 11, 13)

| | | | | | | | | | | | | |
|-----------|---|-----------|--|---------------|----------|--|---------------|----------|--|---------------|-----|---------------|
| V_{IHD} | Differential Input HIGH Voltage | 1200 | | V_{CC} | 1200 | | V_{CC} | 1200 | | V_{CC} | mV | |
| V_{ILD} | Differential Input LOW Voltage | V_{EE} | | $V_{CC} - 75$ | V_{EE} | | $V_{CC} - 75$ | V_{EE} | | $V_{CC} - 75$ | mV | |
| V_{CMR} | Input Common Mode Range (Differential Cross-Point Voltage) (Note 8) | 1163 | | $V_{CC} - 38$ | 1163 | | $V_{CC} - 38$ | 1163 | | $V_{CC} - 38$ | mV | |
| V_{ID} | Differential Input Voltage ($V_{IHD} - V_{ILD}$) | 75 | | 2500 | 75 | | 2500 | 75 | | 2500 | mV | |
| I_{IH} | Input HIGH Current | D | | 50 | 150 | | 50 | 150 | | 50 | 150 | μA |
| | | \bar{D} | | 10 | 150 | | 10 | 150 | | 10 | 150 | |
| I_{IL} | Input LOW Current | D | | -150 | -5 | | -150 | -5 | | -150 | -5 | μA |
| | | \bar{D} | | -150 | -30 | | -150 | -30 | | -150 | -30 | |

NOTE: Device will meet the specifications after thermal equilibrium has been established when mounted in a test socket or printed circuit board with maintained transverse airflow greater than 500 lfpm. Electrical parameters are guaranteed only over the declared operating temperature range. Functional operation of the device exceeding these conditions is not implied. Device specification limit values are applied individually under normal operating conditions and not valid simultaneously.

7. V_{th} is applied to the complementary input when operating in single-ended mode.
8. V_{CMR} minimum varies 1:1 with V_{EE} , V_{CMR} maximum varies 1:1 with V_{CC} .
9. Input and output parameters vary 1:1 with V_{CC} . V_{EE} can vary +0.3 V to -2.2 V.
10. All input and output pins left open.
11. All loading with 50 Ω to $V_{CC} - 2.0\text{ V}$.

NB6L11

Table 6. DC CHARACTERISTICS, NECL $V_{CC} = 0\text{ V}$; $V_{EE} = -3.465\text{ V}$ to -2.375 V (Note 14)

| Symbol | Characteristic | -40°C | | | 25°C | | | 85°C | | | Unit |
|----------|---|-------|-------|-------|-------|-------|-------|-------|-------|-------|------|
| | | Min | Typ | Max | Min | Typ | Max | Min | Typ | Max | |
| I_{EE} | Negative Power Supply Current (Note 15) | 5 | 14 | 20 | 5 | 14 | 20 | 5 | 14 | 20 | mA |
| V_{OH} | Output HIGH Voltage (Note 16) | -1150 | -1050 | -950 | -1100 | -1000 | -900 | -1050 | -950 | -850 | mV |
| V_{OL} | Output LOW Voltage (Note 16) | -1870 | -1750 | -1630 | -1820 | -1700 | -1580 | -1770 | -1650 | -1530 | mV |

DIFFERENTIAL INPUT DRIVEN SINGLE-ENDED (Figures 10, 12)

| | | | | | | | | | | | |
|----------|---|-----------------|--|---------------|-----------------|--|---------------|-----------------|--|---------------|----|
| V_{th} | Input Threshold Reference Voltage Range (Note 12) | $V_{EE} + 1125$ | | $V_{CC} - 75$ | $V_{EE} + 1125$ | | $V_{CC} - 75$ | $V_{EE} + 1125$ | | $V_{CC} - 75$ | mV |
| V_{IH} | Single-Ended Input HIGH Voltage | $V_{th} + 75$ | | V_{CC} | $V_{th} + 75$ | | V_{CC} | $V_{th} + 75$ | | V_{CC} | mV |
| V_{IL} | Single-Ended Input LOW Voltage | V_{EE} | | $V_{th} - 75$ | V_{EE} | | $V_{th} - 75$ | V_{EE} | | $V_{th} - 75$ | mV |

DIFFERENTIAL INPUTS DRIVEN DIFFERENTIALLY (Figures 11, 13)

| | | | | | | | | | | | |
|-----------|--|---------------------|--------------|---------------|-----------------|--------------|---------------|-----------------|--------------|---------------|---------------|
| V_{IHD} | Differential Input HIGH Voltage | $V_{EE} + 1200$ | | V_{CC} | $V_{EE} + 1200$ | | V_{CC} | $V_{EE} + 1200$ | | V_{CC} | mV |
| V_{ILD} | Differential Input LOW Voltage | V_{EE} | | $V_{CC} - 75$ | V_{EE} | | $V_{CC} - 75$ | V_{EE} | | $V_{CC} - 75$ | mV |
| V_{CMR} | Input Common Mode Range (Differential Cross-Point Voltage) (Note 13) | $V_{EE} + 1163$ | | $V_{CC} - 38$ | $V_{EE} + 1163$ | | $V_{CC} - 38$ | $V_{EE} + 1163$ | | $V_{CC} - 38$ | mV |
| V_{ID} | Differential Input Voltage ($V_{IHD} - V_{ILD}$) | 75 | | 2500 | 75 | | 2500 | 75 | | 2500 | mV |
| I_{IH} | Input HIGH Current | $\frac{D}{\bar{D}}$ | 50 10 | 150 150 | | 50 10 | 150 150 | | 50 10 | 150 150 | μA |
| I_{IL} | Input LOW Current | $\frac{D}{\bar{D}}$ | -150 -150 | -5 -30 | | -150 -150 | -5 -30 | | -150 -150 | -5 -30 | μA |

NOTE: Device will meet the specifications after thermal equilibrium has been established when mounted in a test socket or printed circuit board with maintained transverse airflow greater than 500 lfm. Electrical parameters are guaranteed only over the declared operating temperature range. Functional operation of the device exceeding these conditions is not implied. Device specification limit values are applied individually under normal operating conditions and not valid simultaneously.

12. V_{th} is applied to the complementary input when operating in single-ended mode.

13. V_{CMR} minimum varies 1:1 with V_{EE} , V_{CMR} maximum varies 1:1 with V_{CC} .

14. Input and output parameters vary 1:1 with V_{CC} .

15. Input and output pins left open.

16. All loading with $50\ \Omega$ to $V_{CC} - 2.0\text{ V}$.

NB6L11

Table 7. AC CHARACTERISTICS $V_{CC} = 0\text{ V}$; $V_{EE} = -3.465\text{ V}$ to -2.375 V or $V_{CC} = 2.375\text{ V}$ to 3.465 V ; $V_{EE} = 0\text{ V}$ (Note 17)

| Symbol | Characteristic | -40°C | | | 25°C | | | 85°C | | | Unit |
|--------------------------|--|------------|--------------|----------------|------------|--------------|----------------|------------|--------------|----------------|------|
| | | Min | Typ | Max | Min | Typ | Max | Min | Typ | Max | |
| V_{OUTPP} | Output Voltage Amplitude (See Figures 2 & 3) $f_{in} \leq 3\text{ GHz}$ $f_{in} \leq 6\text{ GHz}$ | 480 270 | 700 300 | | 480 270 | 700 300 | | 480 270 | 700 300 | | mV |
| t_{PLH} , t_{PHL} | Propagation Delay to Output Differential @ 1 GHz D to Q, \bar{Q} | 110 | 150 | 190 | 110 | 150 | 200 | 120 | 160 | 220 | ps |
| t_{SKEW} | Duty Cycle Skew Within Device Skew Device-to-Device Skew (Note 18) | | 2 5 15 | 10 15 60 | | 2 5 15 | 10 15 60 | | 2 5 15 | 10 15 60 | ps |
| t_{JITTER} | RMS Random Clock Jitter (Note 19) Peak-to-Peak Data Dependent Jitter (Note 20) $f_{in} \leq 6\text{ GHz}$ $f_{in} \leq 6\text{ Gb/s}$ | | 0.2 2 | 1 12 | | 0.2 2 | 1 12 | | 0.2 2 | 1 12 | ps |
| V_{INPP} | Input Voltage Swing / Sensitivity (Differential Configuration) (Note 21) | 75 | 700 | 2500 | 75 | 700 | 2500 | 75 | 700 | 2500 | mV |
| t_r t_f | Output Rise/Fall Times @ 1 GHz (20% – 80%) Q, \bar{Q} | 30 | 75 | 120 | 30 | 75 | 120 | 30 | 75 | 120 | ps |

NOTE: Device will meet the specifications after thermal equilibrium has been established when mounted in a test socket or printed circuit board with maintained transverse airflow greater than 500 lfpm. Electrical parameters are guaranteed only over the declared operating temperature range. Functional operation of the device exceeding these conditions is not implied. Device specification limit values are applied individually under normal operating conditions and not valid simultaneously.

17. Measured using a 800 mV source, 50% duty cycle clock source. All loading with $50\ \Omega$ to $V_{CC} - 2.0\text{ V}$. Input edge rates 40 ps (20% – 80%).
 18. See Figure 9 $t_{skew} = |t_{PLH} - t_{PHL}|$ for a nominal 50% differential clock input waveform. Skew is measured between outputs under identical transitions and conditions @ 1 GHz.
 19. Additive RMS jitter with 50% duty cycle clock signal at 6 GHz.
 20. Additive Peak-to-Peak data dependent jitter with NRZ PRBS $2^{23}-1$ data rate at 6 Gb/s.
 21. $V_{INPP(max)}$ cannot exceed $V_{CC} - V_{EE}$ (applicable only when $V_{CC} - V_{EE} < 2500\text{ mV}$). Input voltage swing is a single-ended measurement operating in differential mode

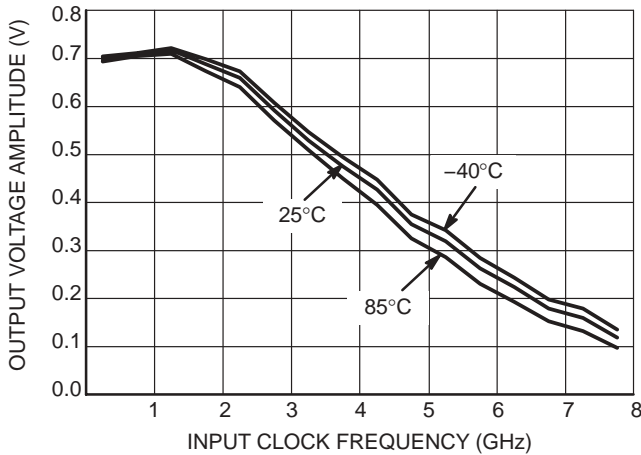


Figure 2. Output Voltage Amplitude (V_{OUTPP}) versus Input Clock Frequency (f_{IN}) and Temperature at $V_{CC} - V_{EE} = 3.3\text{ V}$

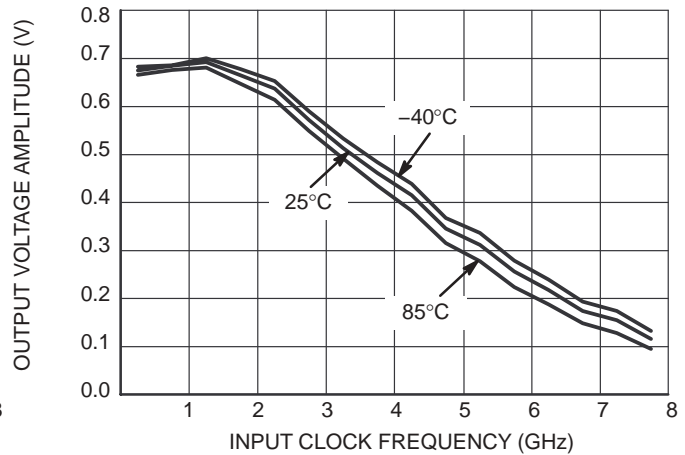


Figure 3. Output Voltage Amplitude (V_{OUTPP}) versus Input Clock Frequency (f_{IN}) and Temperature at $V_{CC} - V_{EE} = 2.5\text{ V}$

NB6L11

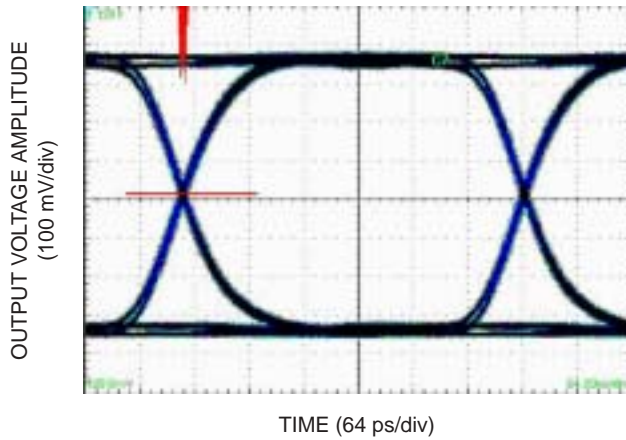


Figure 4. Typical Output Waveform at 2.488 Gb/s with PRBS 2²³-1 (Total System Pk-Pk Jitter is 17 ps. Device Pk-Pk Jitter Contribution is 4 ps)

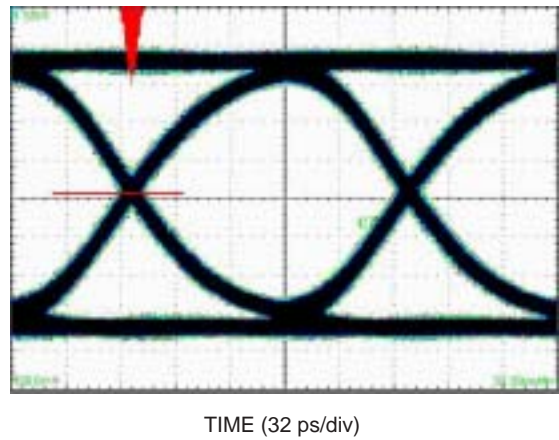


Figure 5. Typical Output Waveform at 6.125 Gb/s with PRBS 2²³-1 (Total System Pk-Pk Jitter is 20 ps. Device Pk-Pk Jitter Contribution is 5 ps)

NOTE: $V_{CC} - V_{EE} = 3.3 \text{ V}$; $V_{IN} = 700 \text{ mV}$; $T_A = 25^\circ\text{C}$.

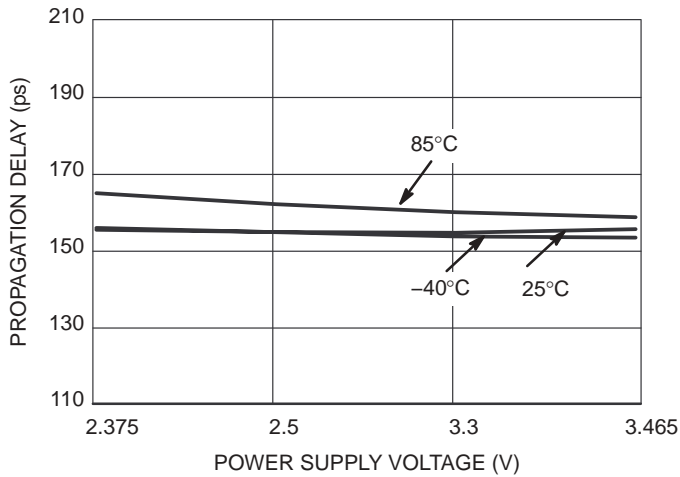


Figure 6. Propagation Delay versus Power Supply Voltage and Temperature

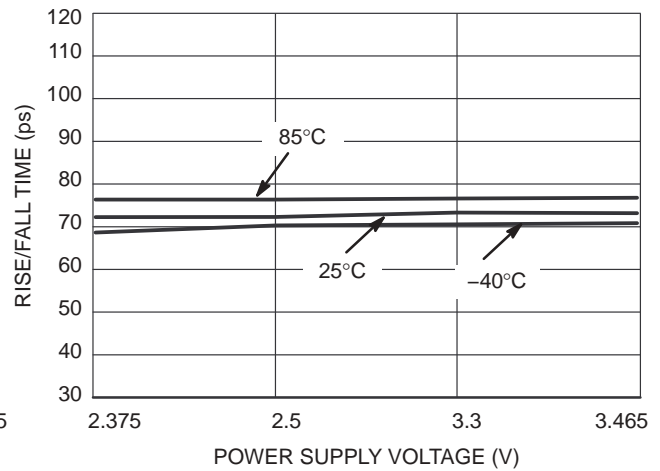


Figure 7. Rise/Fall Time versus Power Supply Voltage and Temperature

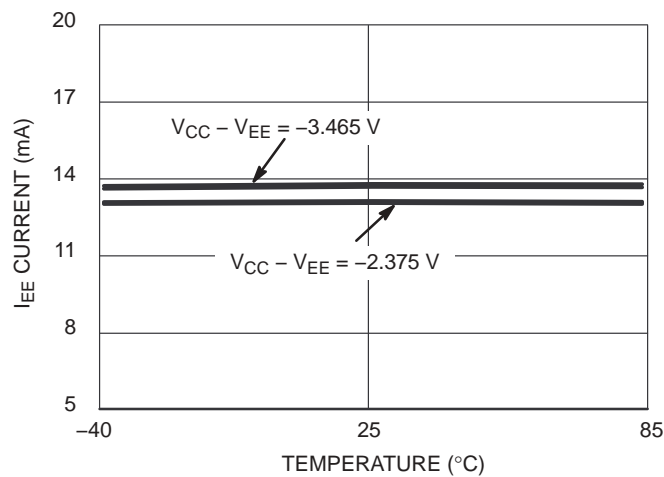


Figure 8. I_{EE} Current versus Temperature and Power Supply Voltage

NB6L11

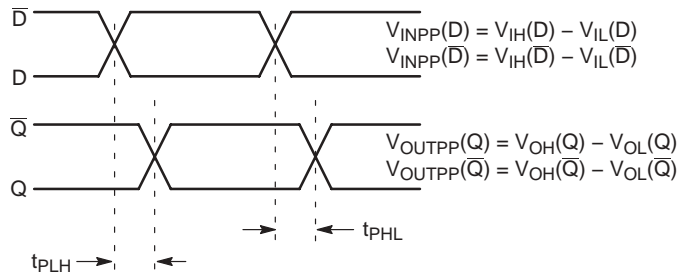


Figure 9. AC Reference Measurement

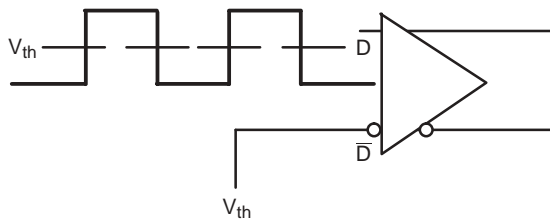


Figure 10. Differential Input Driven Single-Ended

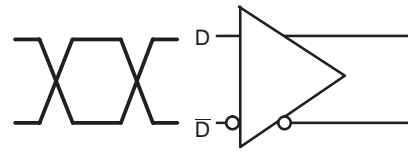


Figure 11. Differential Inputs Driven Differentially

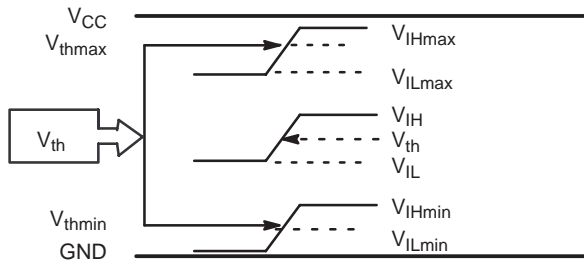


Figure 12. V_{th} Diagram

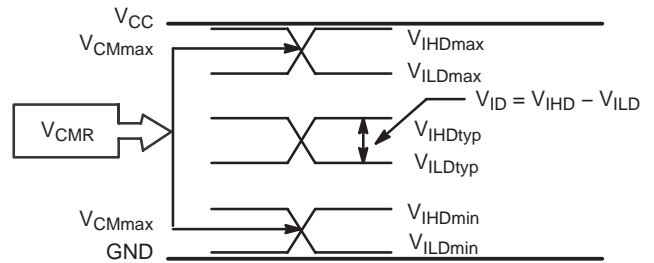


Figure 13. V_{CMR} Diagram

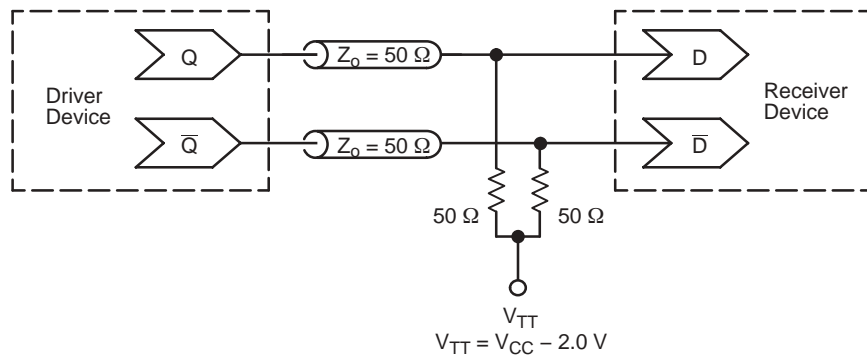


Figure 14. Typical Termination for Output Driver and Device Evaluation (See Application Note AND8020/D – Termination of ECL Logic Devices.)

NB6L11

Resource Reference of Application Notes

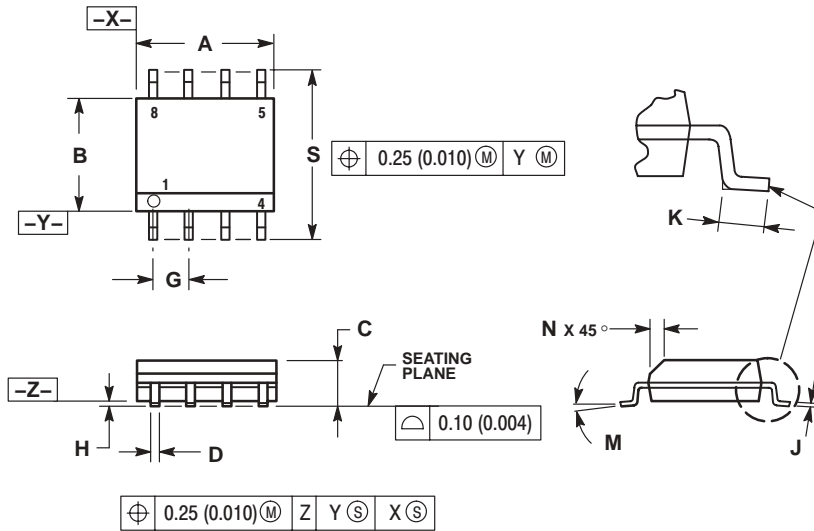
- AN1405** – ECL Clock Distribution Techniques
- AN1568** – Interfacing Between LVDS and ECL
- AN1650** – Using Wire-OR Ties in ECLinPS Designs
- AN1672** – The ECL Translator Guide
- AND8001** – Odd Number Counters Design
- AND8002** – Marking and Date Codes
- AND8003** – Storage and Handling of Drypack Surface Mount Device
- AND8020** – Termination of ECL Logic Devices
- AND8072** – Thermal Analysis and Reliability of Wire Bonded ECL
- AND8066** – Interfacing with ECLinPS
- AND8090** – AC Characteristics of ECL Devices

For an updated list of Application Notes, please see our website at <http://onsemi.com>.

NB6L11

PACKAGE DIMENSIONS

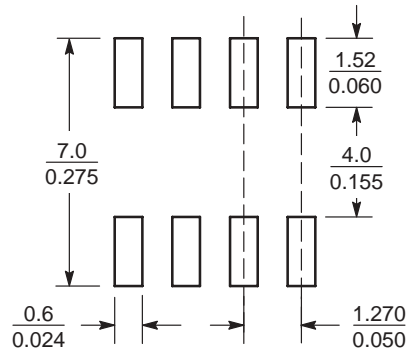
SOIC-8
D SUFFIX
 PLASTIC SOIC PACKAGE
 CASE 751-07
 ISSUE AB



NOTES:

1. DIMENSIONING AND TOLERANCING PER ANSI Y14.5M, 1982.
2. CONTROLLING DIMENSION: MILLIMETER.
3. DIMENSION A AND B DO NOT INCLUDE MOLD PROTRUSION.
4. MAXIMUM MOLD PROTRUSION 0.15 (0.006) PER SIDE.
5. DIMENSION D DOES NOT INCLUDE DAMBAR PROTRUSION. ALLOWABLE DAMBAR PROTRUSION SHALL BE 0.127 (0.005) TOTAL IN EXCESS OF THE D DIMENSION AT MAXIMUM MATERIAL CONDITION.
6. 751-01 THRU 751-06 ARE OBSOLETE. NEW STANDARD IS 751-07.

| DIM | MILLIMETERS | | INCHES | |
|-----|-------------|------|-----------|-------|
| | MIN | MAX | MIN | MAX |
| A | 4.80 | 5.00 | 0.189 | 0.197 |
| B | 3.80 | 4.00 | 0.150 | 0.157 |
| C | 1.35 | 1.75 | 0.053 | 0.069 |
| D | 0.33 | 0.51 | 0.013 | 0.020 |
| G | 1.27 BSC | | 0.050 BSC | |
| H | 0.10 | 0.25 | 0.004 | 0.010 |
| J | 0.19 | 0.25 | 0.007 | 0.010 |
| K | 0.40 | 1.27 | 0.016 | 0.050 |
| M | 0° | 8° | 0° | 8° |
| N | 0.25 | 0.50 | 0.010 | 0.020 |
| S | 5.80 | 6.20 | 0.228 | 0.244 |



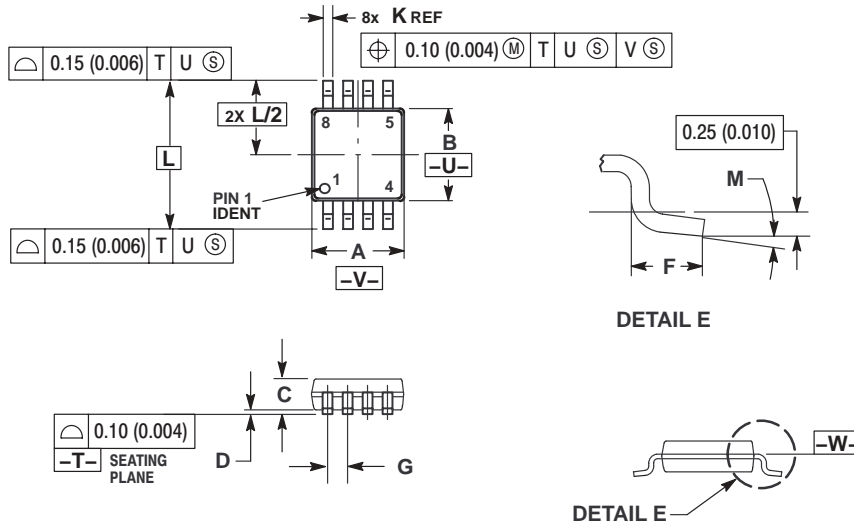
SCALE 6:1 $\left(\frac{\text{mm}}{\text{inches}}\right)$

SO-8

NB6L11

PACKAGE DIMENSIONS

TSSOP-8 DT SUFFIX PLASTIC TSSOP PACKAGE CASE 948R-02 ISSUE A



NOTES:

1. DIMENSIONING AND TOLERANCING PER ANSI Y14.5M, 1982.
2. CONTROLLING DIMENSION: MILLIMETER.
3. DIMENSION A DOES NOT INCLUDE MOLD FLASH, PROTRUSIONS OR GATE BURRS. MOLD FLASH OR GATE BURRS SHALL NOT EXCEED 0.15 (0.006) PER SIDE.
4. DIMENSION B DOES NOT INCLUDE INTERLEAD FLASH OR PROTRUSION. INTERLEAD FLASH OR PROTRUSION SHALL NOT EXCEED 0.25 (0.010) PER SIDE.
5. TERMINAL NUMBERS ARE SHOWN FOR REFERENCE ONLY.
6. DIMENSION A AND B ARE TO BE DETERMINED AT DATUM PLANE -W-.

| DIM | MILLIMETERS | | INCHES | |
|-----|-------------|------|-----------|-------|
| | MIN | MAX | MIN | MAX |
| A | 2.90 | 3.10 | 0.114 | 0.122 |
| B | 2.90 | 3.10 | 0.114 | 0.122 |
| C | 0.80 | 1.10 | 0.031 | 0.043 |
| D | 0.05 | 0.15 | 0.002 | 0.006 |
| F | 0.40 | 0.70 | 0.016 | 0.028 |
| G | 0.65 BSC | | 0.026 BSC | |
| K | 0.25 | 0.40 | 0.010 | 0.016 |
| L | 4.90 BSC | | 0.193 BSC | |
| M | 0° | 6° | 0° | 6° |

ON Semiconductor and are registered trademarks of Semiconductor Components Industries, LLC (SCILLC). SCILLC reserves the right to make changes without further notice to any products herein. SCILLC makes no warranty, representation or guarantee regarding the suitability of its products for any particular purpose, nor does SCILLC assume any liability arising out of the application or use of any product or circuit, and specifically disclaims any and all liability, including without limitation special, consequential or incidental damages. "Typical" parameters which may be provided in SCILLC data sheets and/or specifications can and do vary in different applications and actual performance may vary over time. All operating parameters, including "Typicals" must be validated for each customer application by customer's technical experts. SCILLC does not convey any license under its patent rights nor the rights of others. SCILLC products are not designed, intended, or authorized for use as components in systems intended for surgical implant into the body, or other applications intended to support or sustain life, or for any other application in which the failure of the SCILLC product could create a situation where personal injury or death may occur. Should Buyer purchase or use SCILLC products for any such unintended or unauthorized application, Buyer shall indemnify and hold SCILLC and its officers, employees, subsidiaries, affiliates, and distributors harmless against all claims, costs, damages, and expenses, and reasonable attorney fees arising out of, directly or indirectly, any claim of personal injury or death associated with such unintended or unauthorized use, even if such claim alleges that SCILLC was negligent regarding the design or manufacture of the part. SCILLC is an Equal Opportunity/Affirmative Action Employer. This literature is subject to all applicable copyright laws and is not for resale in any manner.

PUBLICATION ORDERING INFORMATION

LITERATURE FULFILLMENT:

Literature Distribution Center for ON Semiconductor
P.O. Box 5163, Denver, Colorado 80217 USA
Phone: 303-675-2175 or 800-344-3860 Toll Free USA/Canada
Fax: 303-675-2176 or 800-344-3867 Toll Free USA/Canada
Email: orderlit@onsemi.com

N. American Technical Support: 800-282-9855 Toll Free
USA/Canada

Japan: ON Semiconductor, Japan Customer Focus Center
2-9-1 Kamimeguro, Meguro-ku, Tokyo, Japan 153-0051
Phone: 81-3-5773-3850

ON Semiconductor Website: <http://onsemi.com>

Order Literature: <http://www.onsemi.com/litorder>

For additional information, please contact your local Sales Representative.